

JJ-176

SPECIFICATIONS

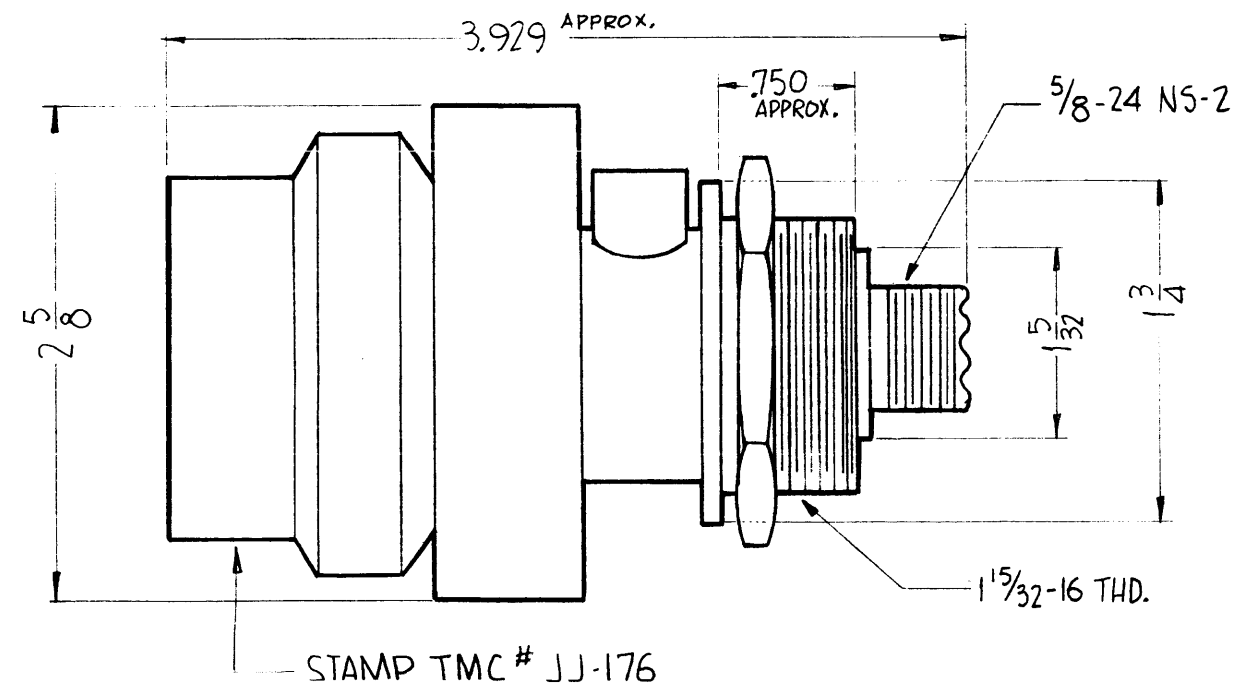
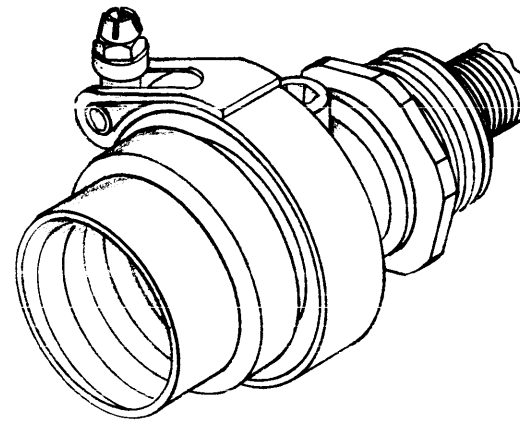
SERIES ~ UHF
 NO OF CONTACTS ~ ONE (1)
 TYPE OF CONTACT ~ FEMALE
 DIELECTRIC ~ TEFLON
ELECTRICAL DATA
 MAX. PEAK OPR. VOLT. ~
 NOMINAL IMPEDANCE ~ 70Ω
CABLE ACCOMODATIONS
 TYPE ~ 1 5/8 STYROFLEX
 MAX. O.D. ~

MATERIAL

EXTERNAL PARTS ~ ALUMINUM
 CONTACTS ~ FEMALE - BERYLLIUM
 MALE - BRASS
 CLAMP - STAINLESS STEEL

FINISH

EXT. PARTS ~ SILVER PLATE & RHODIUM
 FLASH.
 CONTACTS ~ SILVER PLATE & GOLD FLASH



NOTICE TO PERSONS RECEIVING THIS DRAWING

THE TECHNICAL MATERIEL CORPORATION claims proprietary right in the material disclosed herein. This drawing is issued in confidence for engineering information only and may not be reproduced or used to manufacture anything shown hereon without permission from THE TECHNICAL MATERIEL CORPORATION to the user. This drawing is loaned for mutual assistance and is subject to recall at any time.

Property of:
 THE TECHNICAL MATERIEL CORPORATION
 MAMARONECK, NEW YORK

| SYM | DESCRIPTION | DATE | CH. NO. | DRAFTS | CHECKER | ENG. APP. |
|--|-------------|---|---------|--------|---------|-----------|
| UNLESS OTHERWISE SPECIFIED: | | SCALE: S-401-70 (9652) | | | | |
| DIMENSIONS ARE IN INCHES | | MAXIMUM ALLOWABLE TOLERANCES HAVE BEEN DETERMINED AND ANY DEVIATIONS WILL BE CAUSE FOR REJECTION. | | | | |
| TOLERANCES ON FRACTIONS ± 1/64 DECIMALS ± .005 ANGLES ± 1/2° | | REMOVE ALL BURRS AND SHARP EDGES | | | | |

| REQ. PER UNIT | MODEL | SECTION | ASS'Y. NO. | DATE |
|---------------|-----------------|---------|------------|---------|
| | TCA-ST71625/UHF | | | 5/11/61 |
| USED ON | | | | |

| REQ. ITEM | PART NO. | DESCRIPTION | SYMBOL |
|--------------------|-------------------|---|-----------------|
| | | THE TECHNICAL MATERIEL CORP. MAMARONECK, NEW YORK | |
| STOCK SIZE | | CONNECTOR, RECEPTACLE | |
| MATERIAL | | STYROFLEX TO UHF FEMALE, BULKHEAD MOUNT, 1 5/8 - 70 OHMS | |
| TYPE & TEMPER | HEAT TREAT. SPEC. | DRAWN | CHECKER |
| FINISH & SPEC. NO. | | ELEC. DES. APP. | MECH. DES. APP. |
| | | JJ-176 | |