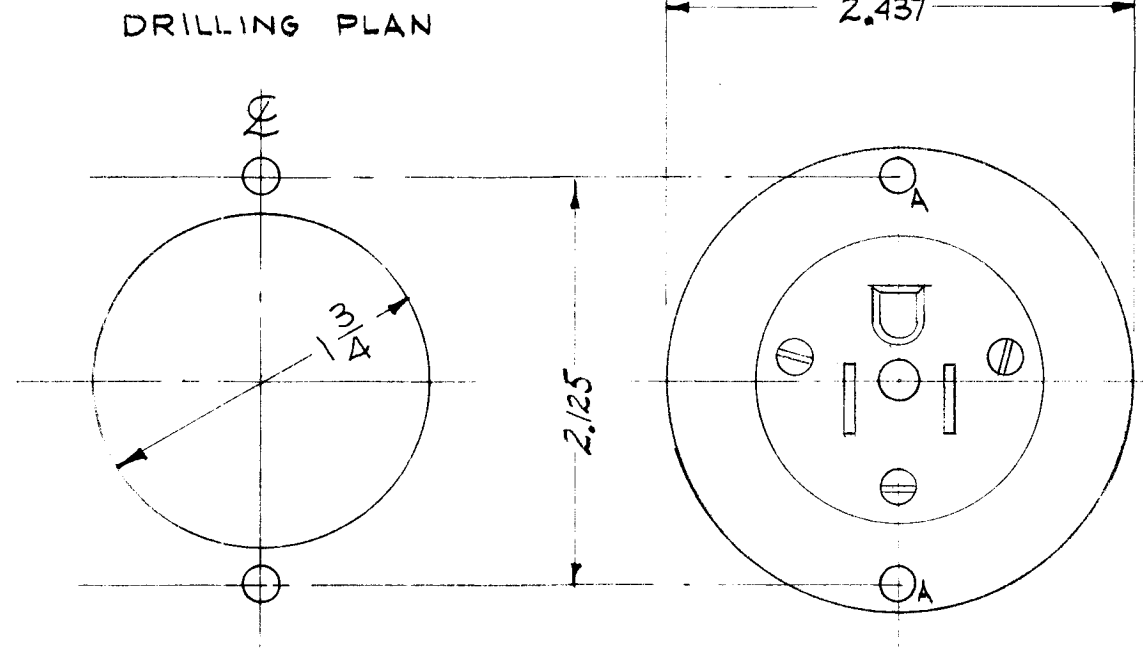
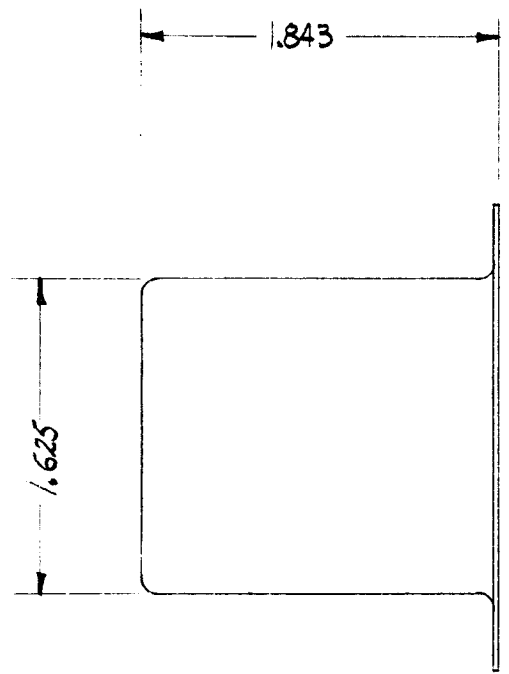


REQ. PER. UNIT	USED ON			JJ-173	A
	MODEL	ASS'Y. NO.	DATE		
4	GPT 101K	UTILITY OUTLET			



A - (.156) DIA. HOLES 2 REQ'D.

REV 2 H 10/10/52 # 5219

ISSUE	ITEM	CHANGED FROM	DATE	CH. NO.	DRAFTS	CHECKER	ENG. APP.	REQ.	ITEM	PART NO.	DESCRIPTION	SYMBOL		
											THE TECHNICAL MATERIEL CORP. MAMARONECK, NEW YORK PLUG, RECEPTACLE U-SHAPE GROUNDING TYPE	A		
										STOCK SIZE				
										MATERIAL				
A		ADDED DRILLING PLAN	8-3-59			<i>[Signature]</i>	<i>[Signature]</i>				10RILLO	<i>[Signature]</i>		
TOLERANCES			SCALE:					TYPE & TEMPER		HEATTREAT. SPEC.	DRAWN	CHECKED	FINAL APPROVAL	
DEC. DIM. ± FRAC. DIM. ± ANGULAR DIM. ±			MAXIMUM ALLOWABLE TOLERANCES HAVE BEEN DETERMINED AND ANY DEVIATIONS WILL BE CAUSE FOR REJECTION. REMOVE ALL BURRS AND SHARP EDGES								<i>[Signature]</i>		JJ-173	A
										FINISH & SPEC. NO.	ELEC. DES. APP	MECH. DES. APP		