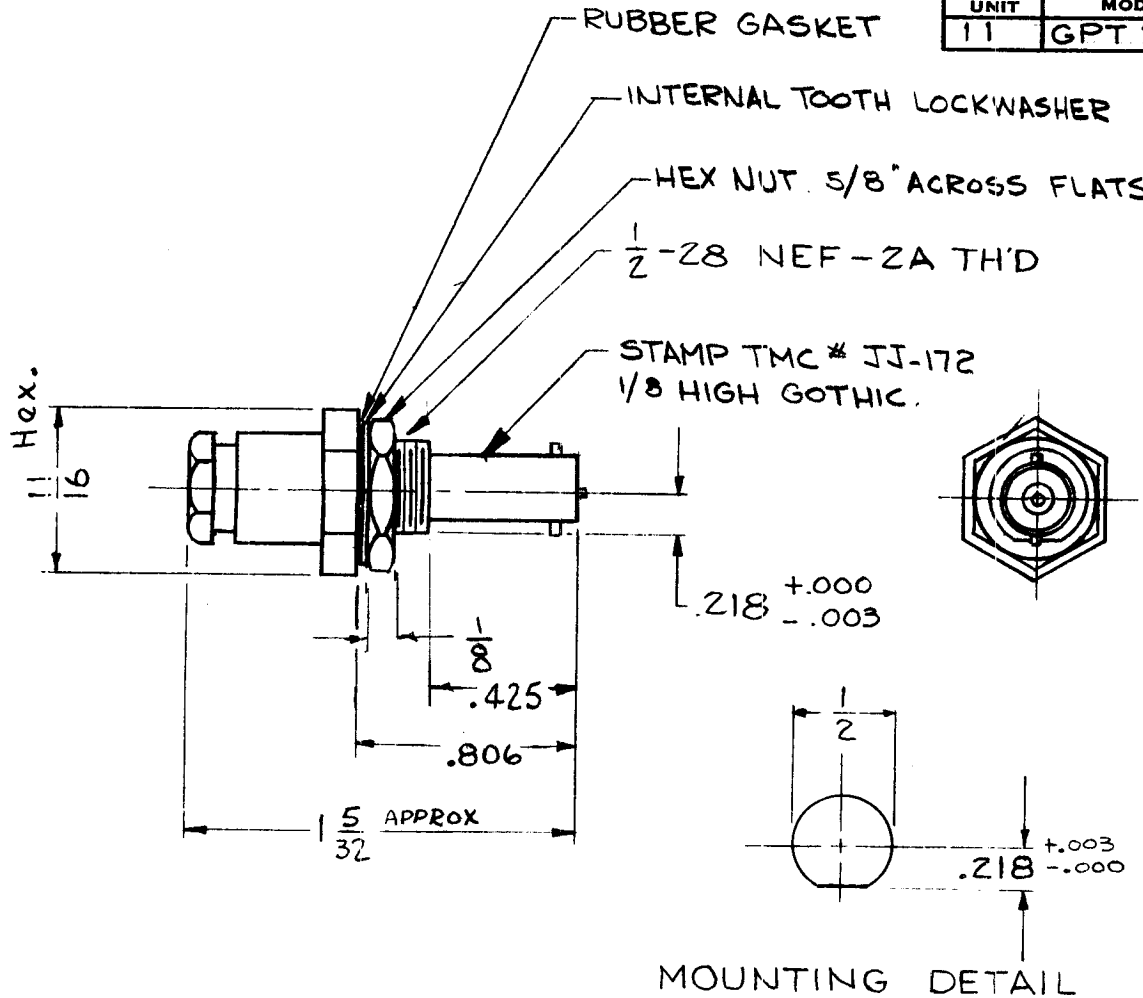


REQ. PER. UNIT 11	USED ON			JJ-172 E
	MODEL GPT 10K	ASS'Y. NO.	DATE 6-8-59	



SPECIFICATIONS

SERIES ~ BNC  
 NO. OF CONTACTS ~ ONE (1)  
 TYPE OF CONTACTS ~ FEMALE  
 DIELECTRIC ~ TEFLON  
ELECTRICAL DATA  
 MAX. PEAK OPR. VOLT. ~ 500  
 NOMINAL IMPEDANCE ~ 50 Ω  
 FREQ. LIMITS ~ DC TO 106c.

CABLE ACCOMODATIONS

TYPE ~ RG-174/U #22 SHIELD

MATERIAL

EXTERNAL PARTS ~ BRASS  
 CONTACT ~ BERYLLIUM COPPER

FINISH

EXTERNAL PARTS ~ SILVER PLATE & RHODIUM FLASH  
 CONTACTS ~ GOLD PLATE

**STANDARD DRAWING**

MOUNTING DETAIL

E	2	HARDWARE ADDED	7-21-64	11919	<i>Am</i>	<i>C</i>	<i>gc</i>
	1	ELEC. DATA ADDED					
D	1	CONTACT FINISH WAS SILVER PLATE RHODIUM FLASH	9-16-63	9941	<i>P</i>	<i>W</i>	<i>gc</i>
C	1	DIMS CLARIFIED	9-20-62	1355	<i>SR</i>	<i>W</i>	<i>gc</i>
B	1	SPECS ADDED	5/15/61	#	<i>DM</i>	<i>W</i>	<i>gc</i>
A	1	Revised & Redrawn	6/8/59		<i>J.C.B.</i>	<i>W</i>	<i>gc</i>
ISSUE	ITEM	CHANGED FROM	DATE	CH. NO.	DRAFTS	CHECKER	ENG. APP.

REQ.	ITEM	PART NO.	DESCRIPTION	SYMBOL
			THE TECHNICAL MATERIEL CORP.	
			MAMARONECK, NEW YORK	
			CONNECTOR, RECEPTACLE,	
			BNC SERIES	
			J.C. Biele	<i>JCB</i>
			DRAWN	CHECKED
			FINAL APPROVAL	
			JJ-172 E	

TOLERANCES  
 DEC. DIM. ±  
 FRAC. DIM. ±  
 ANGULAR DIM. ±

SCALE: [REDACTED]

MAXIMUM ALLOWABLE TOLERANCES HAVE BEEN DETERMINED AND ANY DEVIATIONS WILL BE CAUSE FOR REJECTION. REMOVE ALL BURRS AND SHARP EDGES