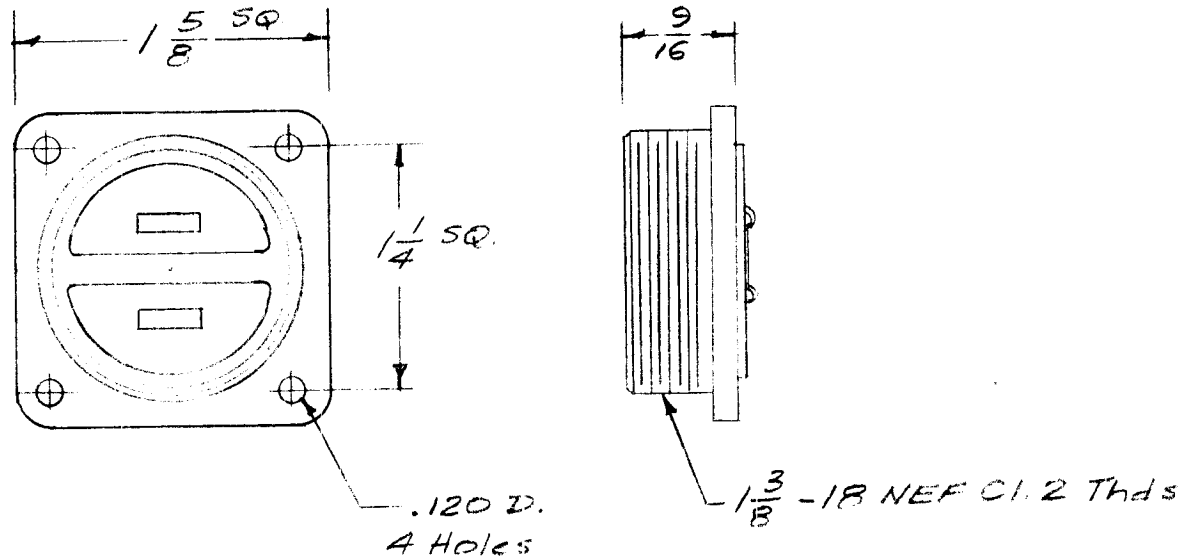


STANDARD DRAWING

REQ. PER UNIT 1	USED ON		
	MODEL RTP-2	ASS'Y. NO.	DATE 11-3-58

JJ-169



125 V. - 15 Amps.

Ref - AMPHENOL No. 97-4085

								REQ. ITEM	PART NO.	DESCRIPTION	SYMBOL		
										THE TECHNICAL MATERIEL CORP. MAMARONECK. NEW YORK CONNECTOR, RECEPTACLE, FEMALE, A.C.			
								STOCK SIZE					
								MATERIAL					
ISSUE	ITEM	CHANGED FROM	DATE	CH. NO.	DRAFTS	CHECKER	ENG. APP.			6" 11/3/58			
TOLERANCES			SCALE: FULL							DRAWN	CHECKED	FINAL APPROVAL	
DEC. DIM. ±			MAXIMUM ALLOWABLE TOLERANCES HAVE BEEN DETERMINED AND ANY DEVIATIONS WILL BE CAUSE FOR REJECTION. REMOVE ALL BURRS AND SHARP EDGES					TYPE & TEMPER		HEAT TREAT. SPEC.		JJ-169	
FRAC. DIM. ±								FINISH & SPEC. NO.		ELEC. DES. APP.			MECH. DES. APP.
ANGULAR DIM. ±													