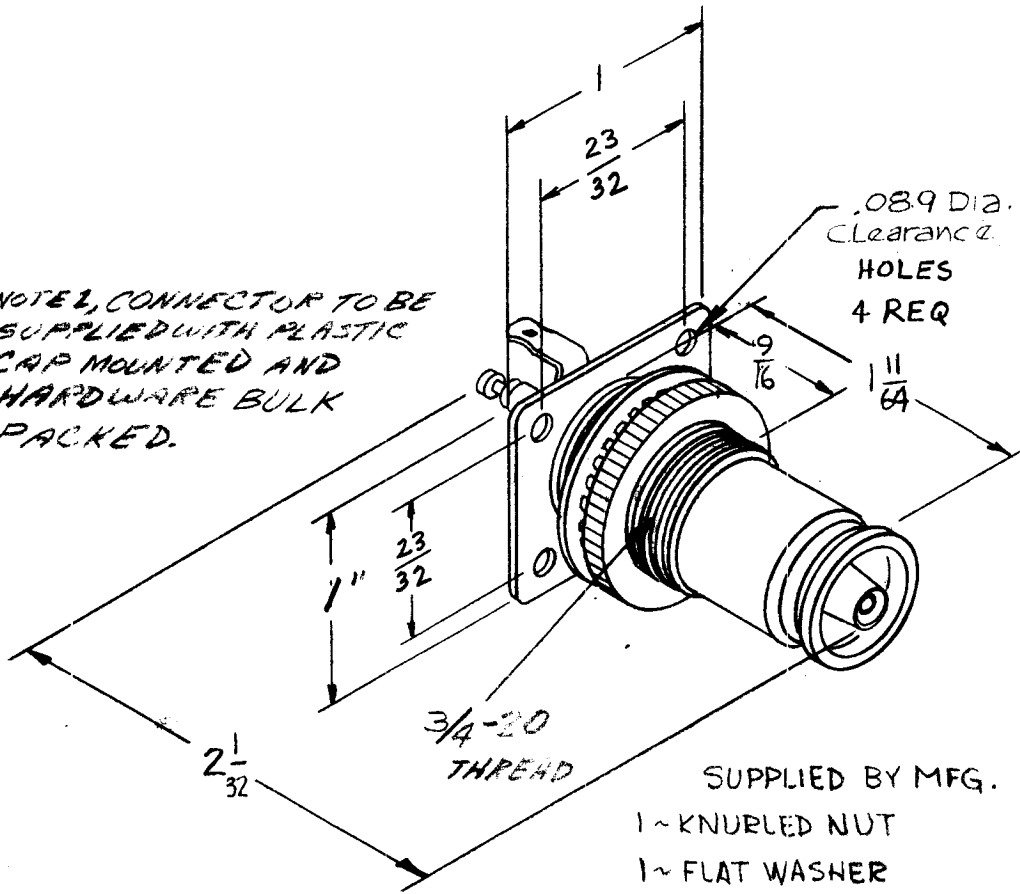


STANDARD DRAWING

REQ. PER UNIT	USED ON			JJ-162	D
	MODEL	ASS'Y. NO.	DATE		
			5/10/61		

NOTE 1, CONNECTOR TO BE SUPPLIED WITH PLASTIC CAP MOUNTED AND HARDWARE BULK PACKED.



- 1 ~ KNURLED NUT
- 1 ~ FLAT WASHER
- 1 ~ LOCKWASHER, INTERNAL TOOTH

SPECIFICATIONS

SERIES ~ QDS (SWITCH)
 NO. OF CONTACTS ~ ONE (1)
 TYPE OR CONTACT ~ FEMALE
 DIELECTRIC ~ TEFLON

ELECTRICAL DATA

MAX. PEAK VOLT. ~ 5000 V.
 FREQ. LIMIT. ~ 10,000 MCS
 NOM. IMPEDANCE ~ 50 Ω

MATERIAL

EXTERNAL PARTS ~ BRASS
 CONTACTS ~ BERYLLIUM COPPER

FINISH

EXTERNAL PARTS ~ SILVER PLATE & RHODIUM FLASH.
 CONTACTS ~ SILVER PLATE & GOLD FLASH.

MOVEMENT OF INSULATOR ASSEMBLY FORWARD AT ENGAGEMENT 1/67538.

D	1	NOTE 1, 3/4-20 ADDED	12/29/65	15472	HVA	QPB	SC
C	1	MFR'S SUPPLIES ADDED	12-11-62	7840			
B	1	SPECIFICATIONS ADDED AND DIMS. REVISED	5/10/61		DOM		
A	1	COMPLETE REVISION	2-20-59	846	HJT		

ISSUE	ITEM	CHANGED FROM	DATE	CH. NO.	DRAFTS	CHECKER	ENG. APP.
TOLERANCES			SCALE: 3-401-70 (3225)				
DEC. DIM. ±			MAXIMUM ALLOWABLE TOLERANCES HAVE BEEN DETERMINED AND ANY DEVIATIONS WILL BE CAUSE FOR REJECTION: REMOVE ALL BURRS AND SHARP EDGES				
FRAC. DIM. ±							
ANGULAR DIM. ±							

REQ.	ITEM	PART NO.	DESCRIPTION		SYMBOL
			THE TECHNICAL MATERIEL CORP.		
			MAMARONECK, NEW YORK		
			CONNECTOR, RECEPTACLE		
			SWITCH TYPE		
			MATERIAL		
			MJT	2-20-59	HJT
			TYPE & TEMPER	HEAT TREAT. SPEC.	DRAWN
					CHECKED
			FINISH & SPEC. NO.	ELEC. DES. APP	MECH. DES. APP
					JJ-162
					D