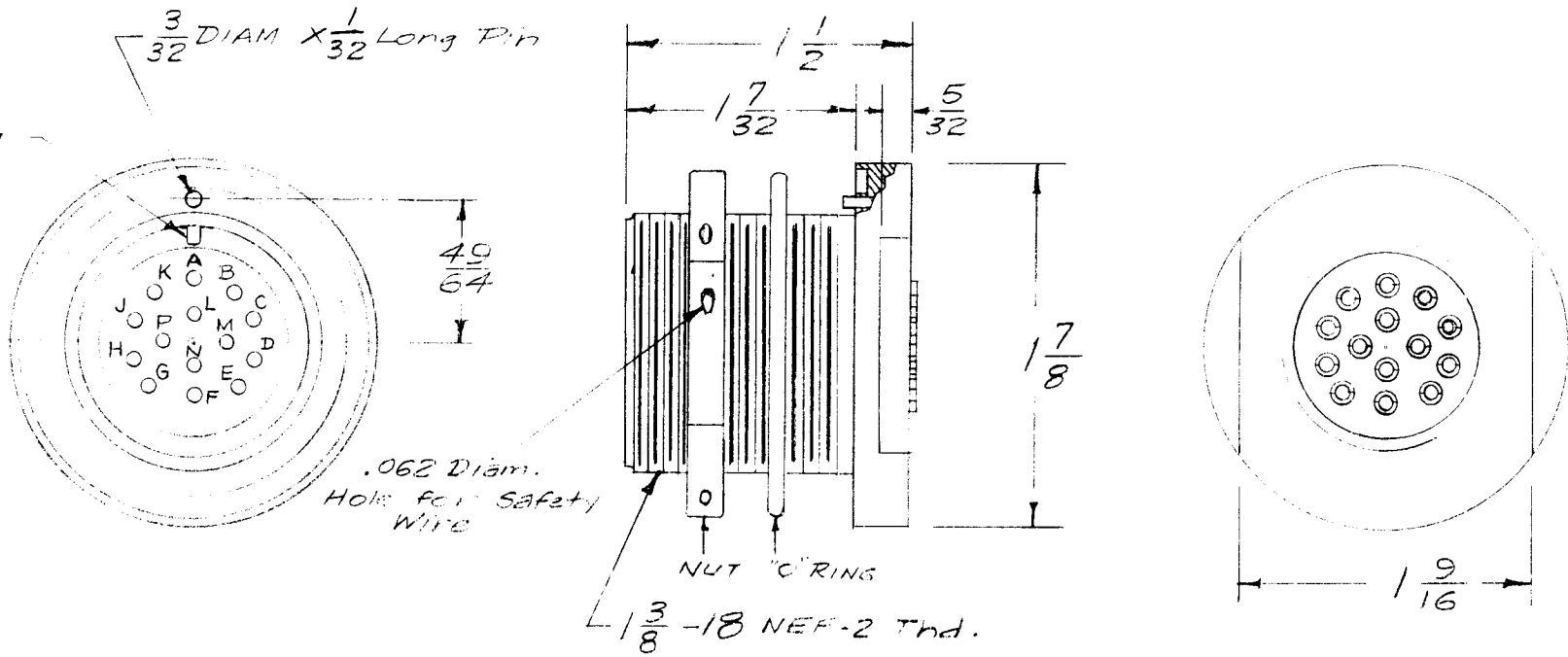


REQ. PER UNIT	USED ON			JJ-157
	MODEL	ASS'Y. NO.	DATE	
1	ATS-70TU		2-5-58	



Polarizing - Boss

.062 Diam. Hole for Safety Wire

NUT O-RING  
1/8 -18 NEF-2 Thd.

Note - Resilient Inserts  
O Ring & Nut Supplied by Mfg.  
(Nut is 3/16 Thk. x 1-3/8 Flats)

Note: This Connector Mates with Standard AN Inserts.

CANNON TYPE BFR-22-19P-1

REQ.	ITEM	PART NO.	DESCRIPTION			SYMBOL	
			<b>THE TECHNICAL MATERIEL CORP.</b>				
			MAMARONECK. NEW YORK				
			CONNECTOR, RECEPTACLE.				
			MALE				
			MATERIAL				
			TYPE & TEMPER HEAT TREAT. SPEC.				
			FINISH & SPEC. NO.				
ISSUE	ITEM	CHANGED FROM	DATE	CH. NO.	DRAFTS	CHECKER	ENG. APP.
TOLERANCES			SCALE: FULL				
DEC. DIM. ±			MAXIMUM ALLOWABLE TOLERANCES HAVE BEEN DETERMINED AND ANY DEVIATIONS WILL BE CAUSE FOR REJECTION. REMOVE ALL BURRS AND SHARP EDGES				
FRAC. DIM. ±							
ANGULAR DIM. ±							
			16 <sup>3/5/58</sup>	Jude		Jor	
			DRAWN	CHECKED	FINAL APPROVAL		
			JOR		JJ-157		
			ELEC. DES. APP.	MECH. DES. APP.			