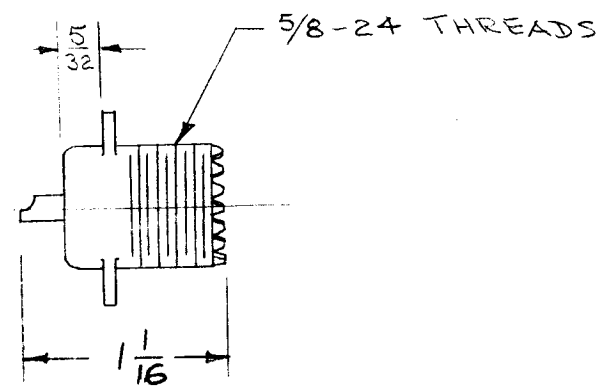
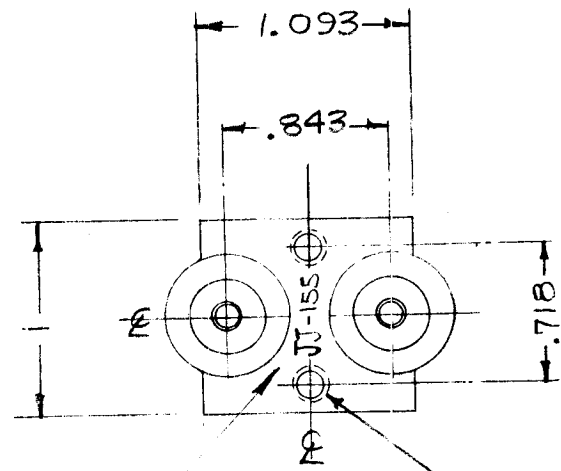
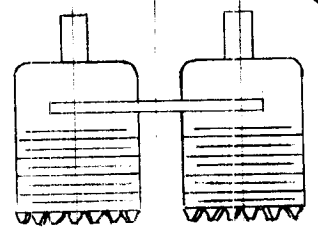


REQ. PER UNIT	USED ON			JJ-155	C
	MODEL	ASS'Y. NO.	DATE		
1	SW-195	A-1433	10-21-57		



Drill & Tap for 6-32 - Class 2 thds. - 2 Req.

DIELECTRIC - TEFLON



METAL
STAMP TMC PART NO
JJ-155 AS SHOWN

MATERIAL & FINISH SPECS.

- Body : Brass, Machined.
- Finish : Silver Plated & Rhodium Flash.
- Contacts : Beryllium.
- Finish : Silver Plated & Gold Flash.

NOTE:
CONNECTOR RECEPTACLES ARE EQUIVALENT TO SO-239, WITH THE EXCEPTION OF THE MOUNTING PLATE WHICH IS AS SHOWN.
FOR USE WITH CABLES RG-8, 9, 10, 11/U

ISSUE	ITEM	CHANGED FROM	DATE	CH. NO.	DRAFTS	CHECKER	ENG. APP.	REQ. ITEM	PART NO.	DESCRIPTION	SYMBOL			
C	1	Mat'l. & Finish Specs Added	6-20-61	5108	MAG	JCB	JFM			THE TECHNICAL MATERIEL CORP. MAMARONECK, NEW YORK CONNECTOR, RECEPTACLE, DUAL SO-239	C			
B	1	DIELECTRIC MAT'L WAS MICA	3/27/61	4483	DOM	JCB	JFM		STOCK SIZE					
A	1	TMC PART NO ADDED	6/1/58	1	JCB	JFM			MATERIAL					
TOLERANCES								SCALE: S-401-70-1033		16 10/21/57	JFM	H.J.J.		
DEC. DIM. ± .015 FRAC. DIM. ± 1/64 ANGULAR DIM. ±								MAXIMUM ALLOWABLE TOLERANCES HAVE BEEN DETERMINED AND ANY DEVIATIONS WILL BE CAUSE FOR REJECTION. REMOVE ALL BURRS AND SHARP EDGES		TYPE & TEMPER	HEAT TREAT. SPEC.	DRAWN	CHECKED	FINAL APPROVAL
								FINISH & SPEC. NO.		ELEC. DES. APP.	MECH. DES. APP.	JJ-155	C	