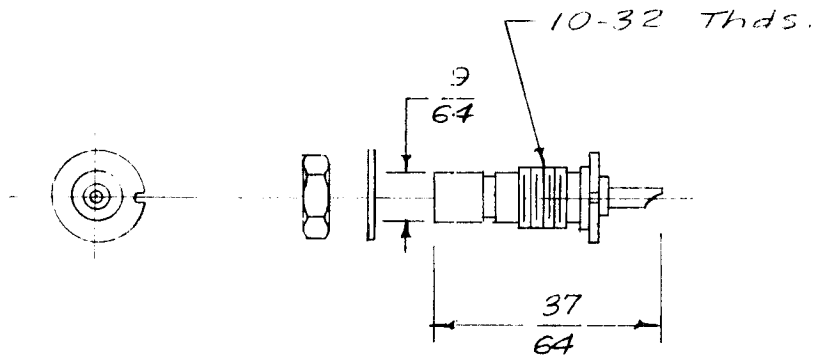


REQ. PER UNIT	USED ON			JJ-154
	MODEL	ASS'Y. NO.	DATE	



Hex. Nut & Internal Lockwasher Supplied by Mfg.

(Matches with PL-154, PL-155)

Ref. AMPHENOL # 27-3

REQ.	ITEM	PART NO.	DESCRIPTION					SYMBOL			
			<b>THE TECHNICAL MATERIEL CORP.</b> MAMARONECK, NEW YORK								
			CONNECTOR, RECEPTACLE, MALE								
			(50 Ω)								
			MATERIAL								
							16 7-31-57	<i>[Signature]</i>	<i>[Signature]</i>		
			TOLERANCES		SCALE:			DRAWN	CHECKED	FINAL APPROVAL	
			DEC. DIM. ±			MAXIMUM ALLOWABLE TOLERANCES HAVE BEEN DETERMINED AND ANY DEVIATIONS WILL BE CAUSE FOR REJECTION.					
			FRAC. DIM. ±			REMOVE ALL BURRS AND SHARP EDGES					
			ANGULAR DIM. ±								
			FINISH & SPEC. NO.		ELEC. DES. APP.		MECH. DES. APP.		JJ-154		