

B
JJ-149

SPECIFICATIONS

SERIES ~ QDS
 NO. OF CONTACTS ~ (1)
 TYPE OF CONTACT ~ FEMALE
 DIELECTRIC ~ TEFLON

ELECTRICAL DATA

MAX. PEAK OPR. VOLT ~ 1000V
 FREQ. LIMIT ~ 10,000 MCS
 NOM. IMPEDANCE ~ 50Ω

CABLE ACCOMODATIONS

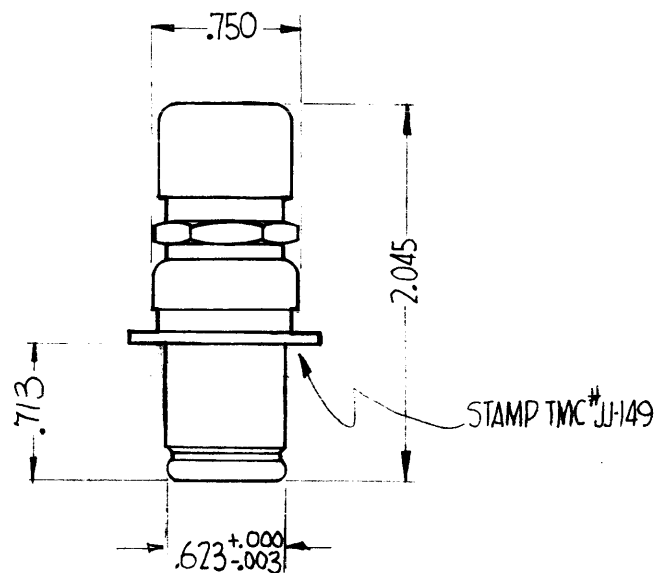
TYPE ~ RG-8/U, RG-10/U, RG-11/U, RG-12/U
 MAX. O.D. ~
 IMPEDANCE ~

MATERIAL

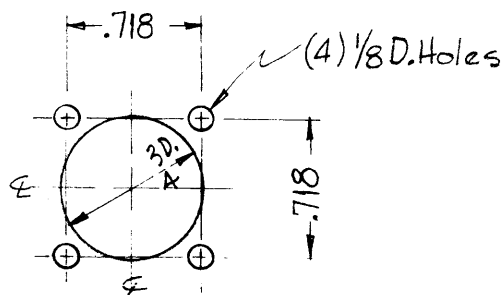
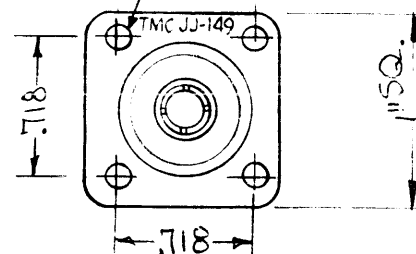
EXTERNAL PARTS ~ BRASS
 CONTACT ~ BERYLLIUM
 GASKET ~ SILICONE, RUBBER

FINISH

EXTERNAL PARTS ~ SILVER PLATE & RHODIUM FLASH
 CONTACT ~ SILVER PLATE & GOLD FLASH



DRILL & TAP FOR 4-40
 4 REQ.



MOUNTING DETAIL

NOTICE TO PERSONS RECEIVING THIS DRAWING

THE TECHNICAL MATERIEL CORPORATION claims proprietary right in the material disclosed hereon. This drawing is issued in confidence for engineering information only and may not be reproduced or used to manufacture anything shown hereon without permission from THE TECHNICAL MATERIEL CORPORATION to the user. This drawing is loaned for mutual assistance and is subject to recall at any time.

Property of:

THE TECHNICAL MATERIEL CORPORATION
 MAMARONECK, NEW YORK

SYM	DESCRIPTION	DATE	CH. NO.	DRAFTS	CHECKER	ENG. APP.
B	DIM .713 WAS .708	4-12-66	16085	WAW	[Signature]	[Signature]
A	DRILL & TAP FOR 4-40 (4 Req)	1-10-62	6176	EL	[Signature]	[Signature]

UNLESS OTHERWISE SPECIFIED:
 DIMENSIONS ARE IN INCHES
 TOLERANCES ON FRACTIONS ± 1/64 DECIMALS ± .005 ANGLES ± 1/2°

SCALE: S-401-70 (2662)
 MAXIMUM ALLOWABLE TOLERANCES HAVE BEEN DETERMINED AND ANY DEVIATIONS WILL BE CAUSE FOR REJECTION.
 REMOVE ALL BURRS AND SHARP EDGES

REQ. PER UNIT	MODEL	SECTION	ASS'Y. NO.	DATE
				5-10-61
USED ON				

REQ. ITEM	PART NO.	DESCRIPTION	SYMBOL
		THE TECHNICAL MATERIEL CORP. MAMARONECK, NEW YORK	
	STOCK SIZE	CONNECTOR, RECEPTACLE	
	MATERIAL	QDS TO CABLE	
	TYPE & TEMPER	HEAT TREAT. SPEC.	
	FINISH & SPEC. NO.	ELEC. DES. APP.	MECH. DES. APP.
		DRAWN [Signature]	CHECKER [Signature]
			FINAL APPROVAL [Signature]
			JJ-149
			B