

JJ-148 A

SPECIFICATIONS

SERIES ~ QDS  
 NO OF CONTACTS ~ ONE (1)  
 TYPE OF CONTACT ~ FEMALE  
 DIELECTRIC ~ TEFLON

ELECTRICAL DATA

MAX. PEAK OPR. VOLT. ~ 1,000V  
 FREQ. LIMIT ~ 10,000MCS  
 NOM. IMPEDANCE ~ 50Ω

CABLE ACCOMODATIONS

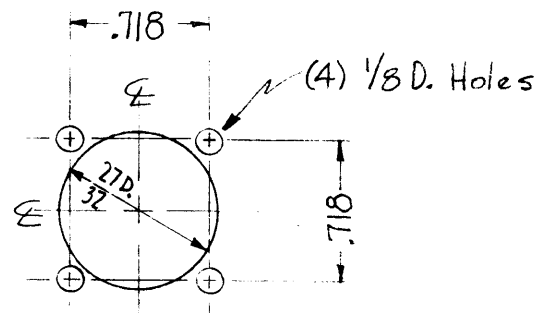
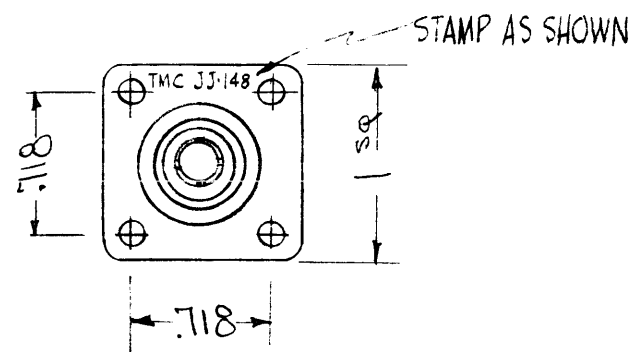
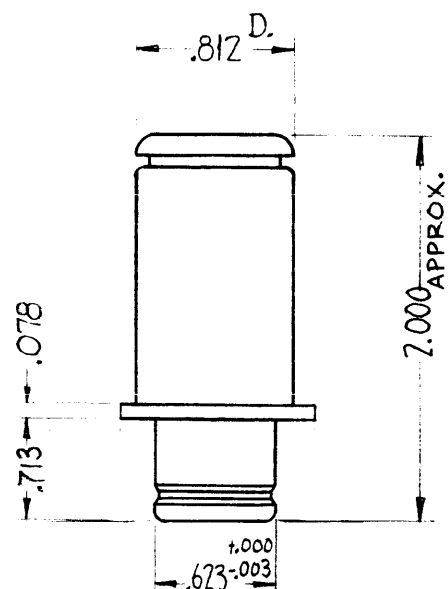
TYPE ~ RG-87A/U  
 MAX. O.D. ~  
 IMPEDANCE ~

MATERIAL

EXTERNAL PARTS ~ BRASS  
 CONTACT ~ BERYLLIUM

FINISH

EXTERNAL PARTS ~ SILVER PLATE & RHODIUM FLASH  
 CONTACT ~ SILVER PLATE & GOLD FLASH



MOUNTING DETAIL

NOTICE TO PERSONS RECEIVING THIS DRAWING

THE TECHNICAL MATERIEL CORPORATION claims proprietary right in the material disclosed hereon. This drawing is issued in confidence for engineering information only and may not be reproduced or used to manufacture anything shown hereon without permission from THE TECHNICAL MATERIEL CORPORATION to the user. This drawing is loaned for mutual assistance and is subject to recall at any time.

Property of:  
 THE TECHNICAL MATERIEL CORPORATION  
 MAMARONECK, NEW YORK

SYM	DESCRIPTION	DATE	CH. NO.	DRAFTS	CHECKER	ENG. APP.
A	.713 ± .078 WERE .519 ± .075	4-12-66	16085	wyo	Q/S	MM
UNLESS OTHERWISE SPECIFIED:						
DIMENSIONS ARE IN INCHES						
TOLERANCES ON						
FRACTIONS ± 1/64 DECIMALS ± .005 ANGLES ± 1/2°						
SCALE: S-401-70 (2028)						
MAXIMUM ALLOWABLE TOLERANCES HAVE BEEN DETERMINED AND ANY DEVIATIONS WILL BE CAUSE FOR REJECTION.						
REMOVE ALL BURRS AND SHARP EDGES						

REQ. PER UNIT	MODEL	SECTION	ASS'Y. NO.	DATE
				5/11/61
USED ON				

REQ. ITEM	PART NO.	DESCRIPTION	SYMBOL
THE TECHNICAL MATERIEL CORP. MAMARONECK, NEW YORK			
CONNECTOR, RECEPTACLE			
QDS TO CABLE			
MATERIAL		DRAWN	CHECKER
TYPE & TEMPER		HEAT TREAT. SPEC.	FINAL APPROVAL
FINISH & SPEC. NO.		ELEC. DES. APP.	MECH. DES. APP.
		JJ-148	A