

55-138

SPECIFICATIONS

SERIES ~ QDL TO QDL
 NO. OF CONTACTS ~ ONE (1) EACH END
 TYPE OF CONTACT ~ FEMALE
 DIELECTRIC ~ TEFLON
 ELECTRICAL DATA
 MAX. PEAK VOLTAGE ~ 10KV
 NOM IMPEDANCE ~ 50Ω
 MATING ACCOMODATIONS
 TYPE ~

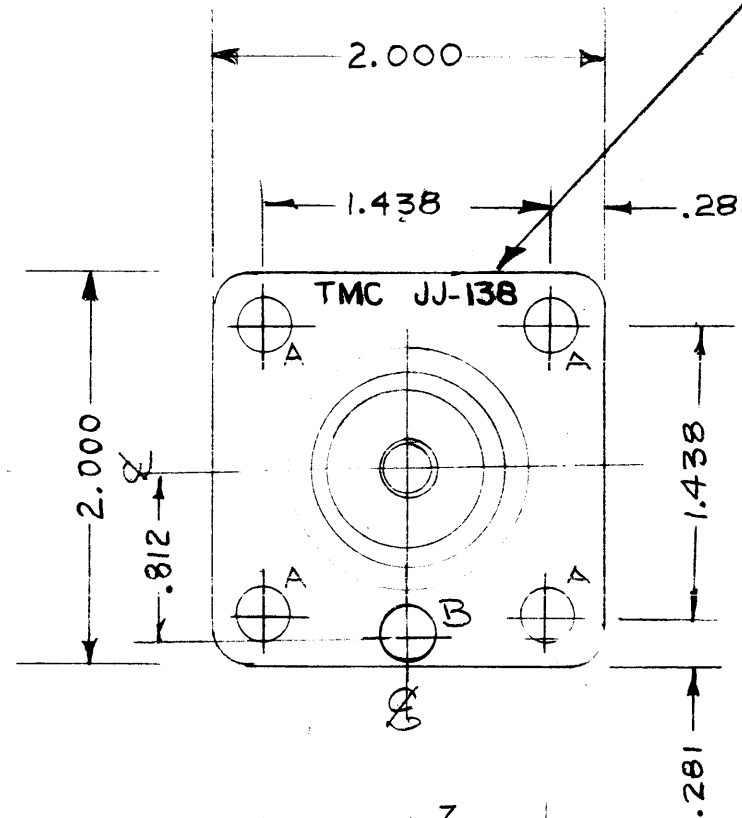
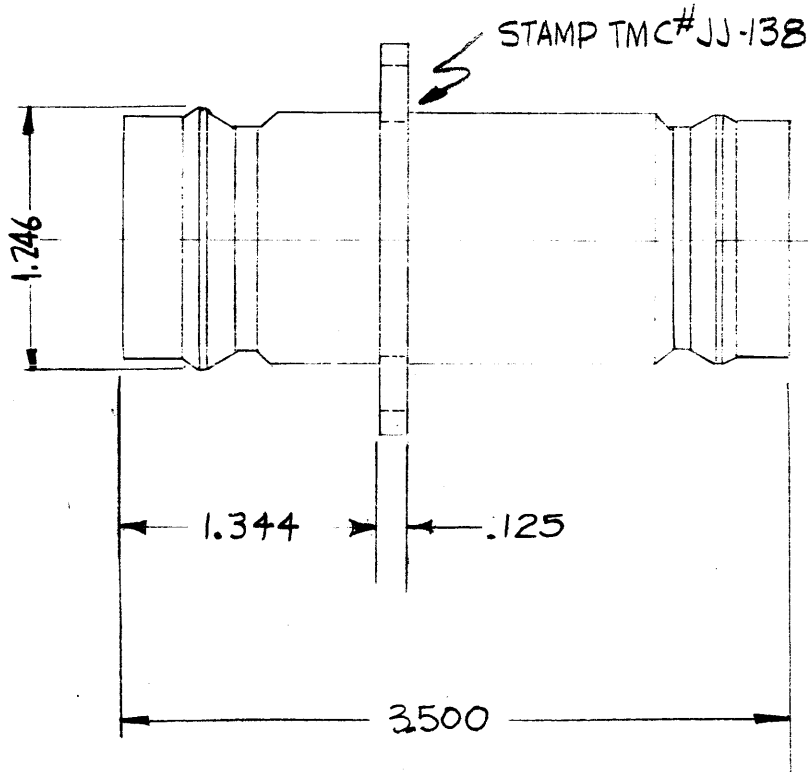
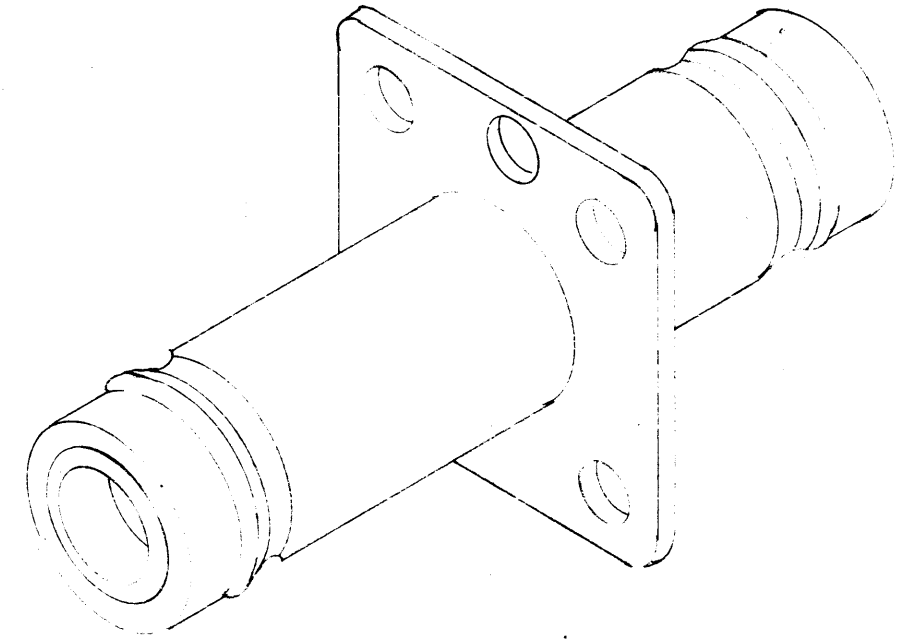
FINISH

EXTERNAL PARTS ~ SILVER PLATE +
 RHODIUM FLASH
 CONTACTS ~ SILVER PLATE & GOLD
 FLASH

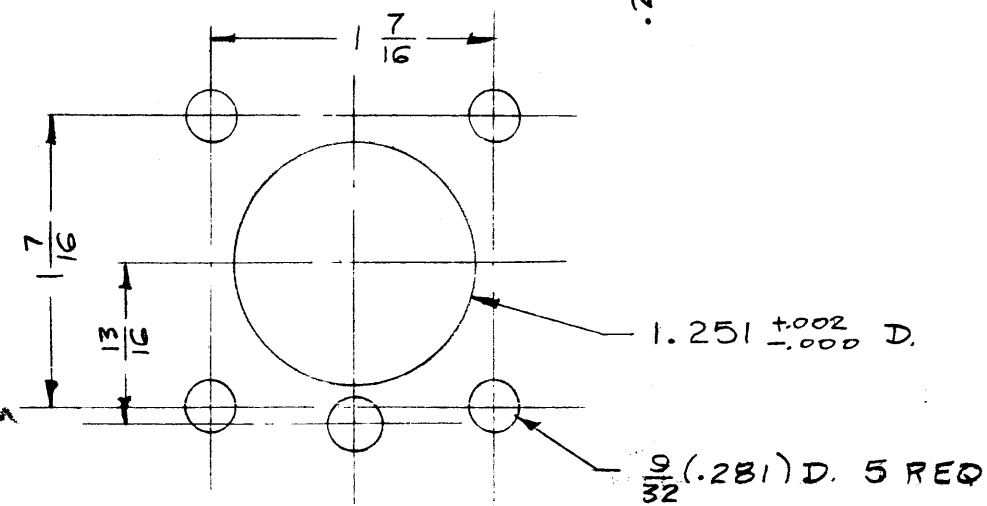
MATERIAL

EXTERNAL PARTS ~ BRASS
 CONTACTS ~ BERYLLIUM COPPER

STAMP AS SHOWN
 1/8 HIGH GOTHIC LETTERING



A - .257 D 4 HOLES REQ
 B - 9/32 (.281) D 1 HOLE REQ



DRILLING PLAN

REF: UG-934/U MODIFIED

ISSUE	ITEM	CHANGED FROM	DATE	CH. NO.	DRAFTS	CHECKER	ENG. APP.
C	1	SPECIFICATIONS ADDED	5/8/61				
B	1	ALL DECIMAL DIM. WERE					
	2	.281 DIM. & DR. PLAN ADDED	2/15/57	2	W	JAR	
	1	1.344 WAS 1 7/16					
A	2	DRILLING PLAN DELETED	10/10/56	1	JAR	COB	
	1	9/32 WAS 11/32 D					

REQ. ITEM	PART NO.	DESCRIPTION	SYMBOL
		THE TECHNICAL MATERIEL CORP. MAMARONECK, NEW YORK	
STOCK SIZE		ADAPTER, CONNECTOR	
MATERIAL		QDL TO QDL	
TYPE & TEMPER	HEAT TREAT. SPEC.	DRAWN	CHECKED
S-315		US 9/15/56	JAR
FINISH & SPEC. NO.	ELEC. DES. APP.	MECH. DES. APP.	FINAL APPROVAL
			JJ-138