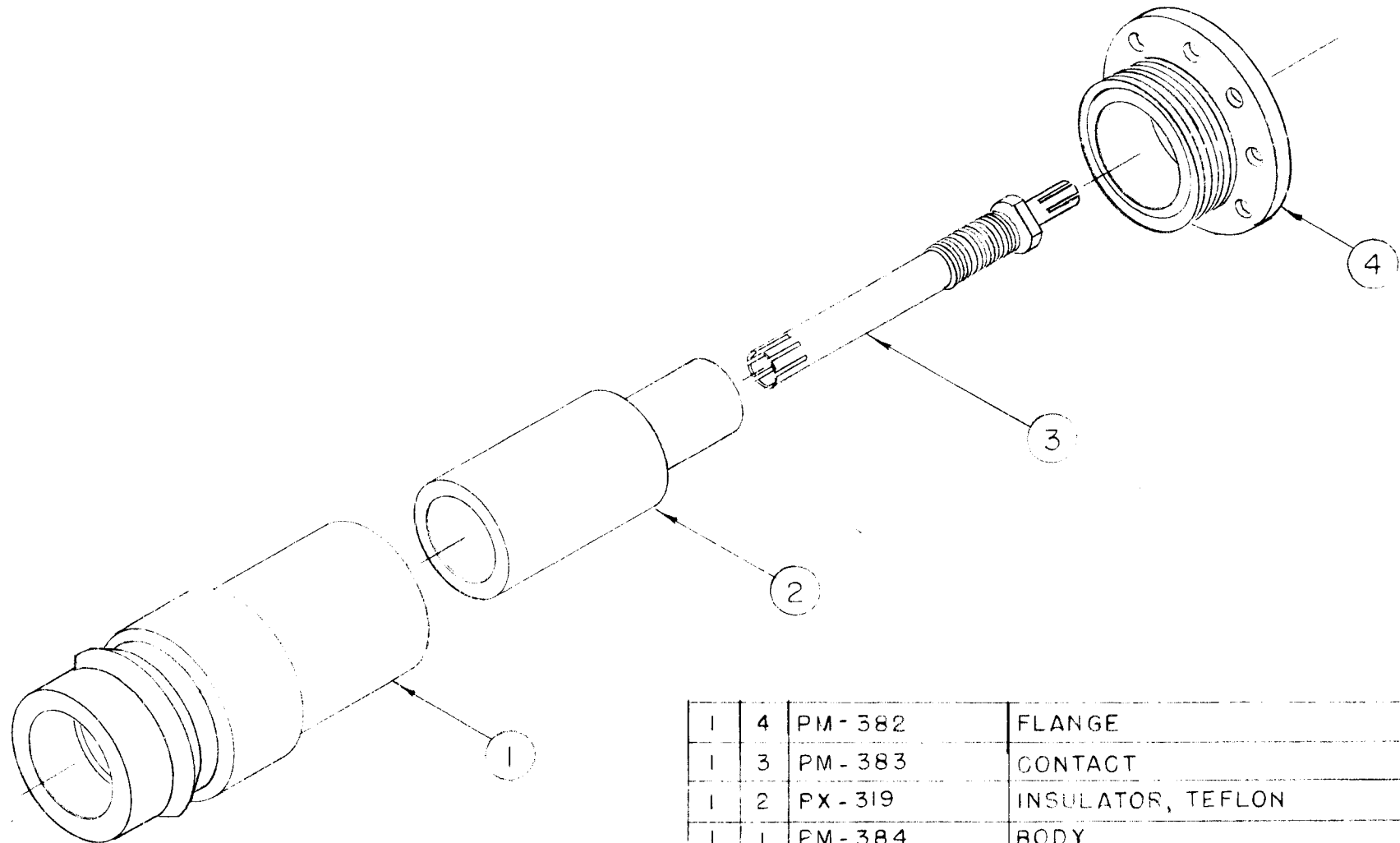


REQ. PER UNIT	USED ON			JJ-134	A
	MODEL	ASSY. NO.	DATE		
1	TCA85/QDL	A-1173			



1	4	PM-382	FLANGE
1	3	PM-383	CONTACT
1	2	PX-319	INSULATOR, TEFLON
1	1	PM-384	BODY

REQ.	ITEM	PART NO.	DESCRIPTION	SYMBOL
<b>THE TECHNICAL MATERIEL CORP.</b> MAMARONECK, NEW YORK				
CONNECTOR, RECEPTACLE				
STOCK SIZE				
MATERIAL				
TOLERANCES			SCALE: S-401-70-2204	
DEC. DIM. ±			MAXIMUM ALLOWABLE TOLERANCES HAVE BEEN DETERMINED AND ANY DEVIATIONS WILL BE CAUSE FOR REJECTION. REMOVE ALL BURRS AND SHARP EDGES	
FRAC. DIM. ±				
ANGULAR DIM. ±				
TYPE & TEMPER			HEAT TREAT. SPEC.	
FINISH & SPEC. NO.			ELEC. DES. APP. MECH. DES. APP.	
ISSUE ITEM			CHANGED FROM	
DATE			CH. NO.	
DRAFTS			CHECKER	
ENG. APP.				
DRAWN			CHECKED	
FINAL APPROVAL				