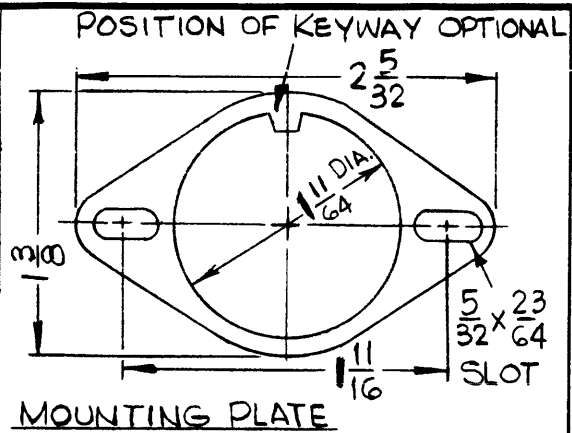
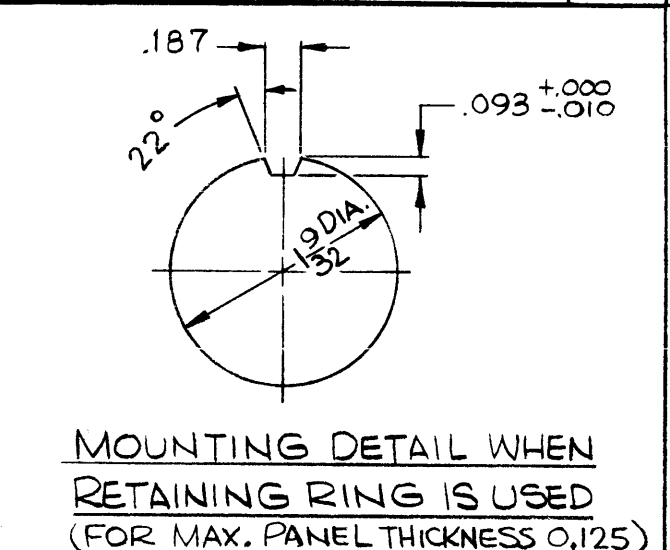


TMC PART NUMBER	MFG. PART NO.		FIG.	DESCRIPTION
	RETAINING RING TYPE	MTG PLATE TYPE		
JJ122-1	G1-F		A	2 POLE
JJ122-2		G1-F1	A	2 POLE
JJ122-3	160-10		B	2 POLE W/GROUND
JJ122-4		160-2	B	2 POLE W/GROUND



JJ122

REVISIONS					
SYM	DESCRIPTION	DATE	E.M.N. NO.	DRAFT	CHKD
C	COMPLETELY REVISED & REDRAWN	5-6-66	16172	HLA	JH



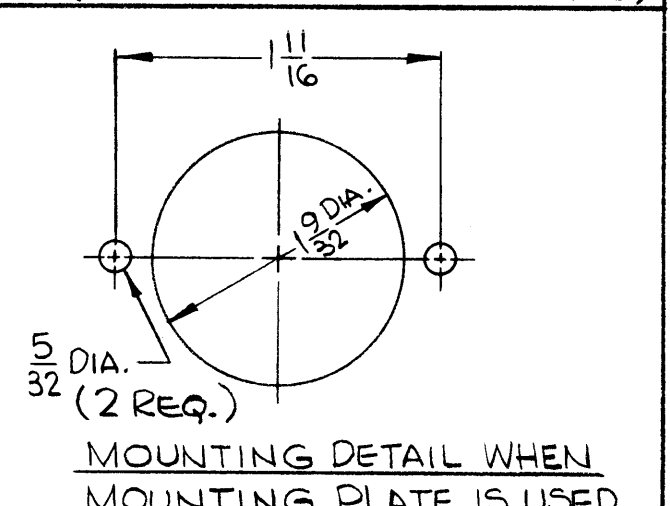
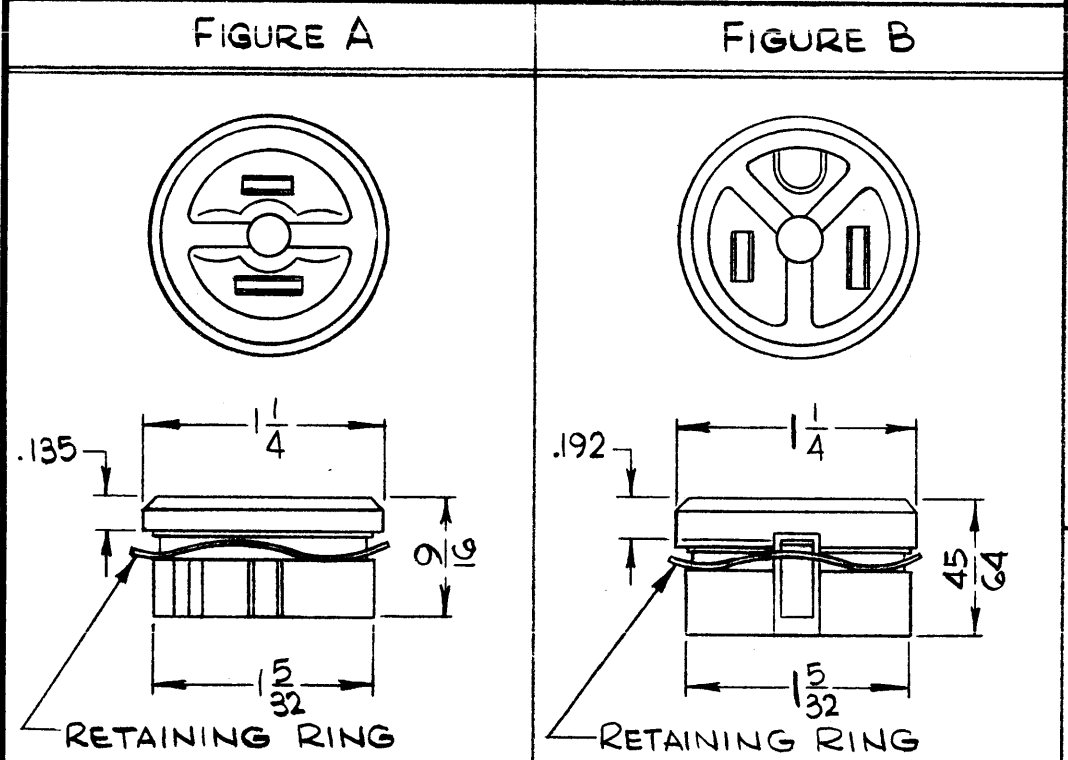
SPECIFICATIONS

1. - ELECTRICAL RATING:  
 A - 15 AMPS @ 125 VOLTS.  
 B - 10 AMPS @ 250 VOLTS.

2. - MECHANICAL SPECIFICATIONS:  
 A - BODY: BLACK PHENOLIC PER MIL-M-14.  
 B - MOUNTING PLATE: STEEL, NICKEL PLATED.  
 C - CONTACTS OPTIONAL: PHOSPHOR BRONZE, CADMIUM PLATED; COPPER ALLOY; BRASS.  
 D - RETAINING CLIP: CARBON STEEL, CADMIUM PLATED.

3. - MOUNTING:  
 A - REFER TO PICTORIAL FOR DETAILS.

4. - MATING PLUGS: PL218 MATES WITH JJ122-3 & -4.  
 PL185 & PL108 MATE WITH JJ122-1,-2,-3,-4



REQ'D.	ITEM	PART NUMBER	DESCRIPTION	SYMBOL
<b>LIST OF MATERIAL</b>				
MATERIAL		THE TECHNICAL MATERIEL CORP. MAMARONECK, NEW YORK		
SEE SPECS.		TITLE CONNECTOR, RECEPTACLE (2 POLE & 2 POLE W/GROUND)		
FINISH		DRAWN H. AUSTIN DATE 5-6-66 CHECKED DATE 5-11-66 ELECT. DES. DATE MECH. DES. DATE		
UNLESS OTHERWISE SPECIFIED DIMENSIONS ARE IN INCHES AND INCLUDE CHEMICALLY APPLIED OR PLATED FINISHES		FINAL APPROVAL DATE JJ122 C		
DECIMALS .X ± .05 .XX ± .01 .XXX ± .005		FRACTIONS ± 1/64 ANGLES ± 0° 30'		SHEET
TOLERANCES		REV. LTR.		

**STANDARD DRAWING**

**NOTES**

Q'TY./UNIT	MODEL USED ON	ASS'Y. NO.
SCALE 1:1	CODE C	S401-71
THE CONTENTS OF THIS DRAWING ARE THE EXCLUSIVE PROPERTY OF THE TECHNICAL MATERIEL CORP. ITS UNAUTHORIZED USE OR REPRODUCTION IN WHOLE OR IN PART IS STRICTLY FORBIDDEN.		