

IF IT IS FOUND DESIRABLE TO CHANGE ANY TOLERANCE OR OTHER DETAIL SPECIFIED ON THIS DRAWING NOTIFY THE PURCHASER PROMPTLY.

# STANDARD DRAWING

JJ114

K

MAXIMUM ALLOWABLE TOLERANCES HAVE BEEN DETERMINED AND DEVIATIONS WILL BE CAUSE FOR REJECTION. REMOVE ALL BURRS AND SHARP EDGES

USED ON

MODEL	PROJECT NO.	ASS'Y. NO.	DATE
-------	-------------	------------	------

TMC NO	CAT. NO	BODY COLOR
JJ 114 -1	105-201-200	WHITE
JJ 114-2	105-202-200	RED
JJ 114-3	105-203-200	BLACK

INTERNAL TOOTH LOCKWASHER  
13/32 OD., .017-.026 THK

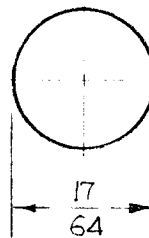
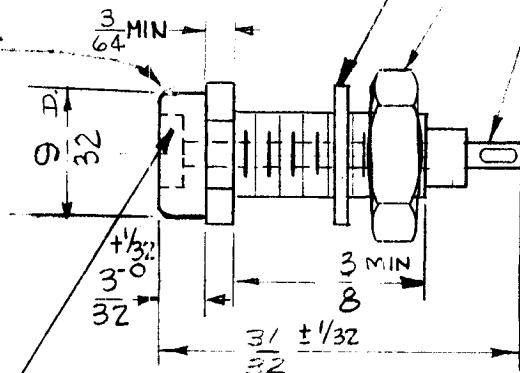
1/4 x 32 NEF-2 HEX NUT, NICKEL PLATED BRASS  
11/32 ACROSS FLATS x 1/8 THK.

TERM-BRASS, BERYLLIUM COPPER OR PHOSPHOR BRONZE; TIN DIPPED GOLD OR SILVER PLATE.  
TERMINAL STYLE - OPTIONAL.

NYLON BODY WITH NICKEL PLATED BRASS JACKET.

VOLTAGE BREAKDOWN —

1500 V. RMS  
CAPACITY TO 1/8" PANEL-  
3.8 PF (REF. ONLY.)  
DESIGNED TO ACCEPT A TEST  
PLUG .080 ± .001" IN DIA.



DRILLING PLAN

CONTACT-PHOSPHOR BRONZE OR BERYLLIUM COPPER, SILVER PLATED OR GOLD WASHED.

DIMENSIONS FOR REF. ONLY  
REF: MIL-STD-242 (PART II SECT. 1406) & MS16108C  
(Mates with TMC Type PL 163)

REQ.	ITEM	PART NO.	DESCRIPTION	SYMBOL
			THE TECHNICAL MATERIEL CORP. MAMARONECK, NEW YORK	
		STOCK SIZE	JACK, TIP	
		MATERIAL WEIGHT PER PC.	LOW VOLTAGE	
		TYPE & TEMPER	7-14-57	G.T.O.
		HEAT TREAT. SPEC.	EMB	G.T.O.
		FINISH & SPEC. NO.	CHECKED	FINAL APPROVAL
			JJ114	K

ISSUE	ITEM	CHANGED FROM	DATE	CN. NO.	DRAFTS	CHECKER	ENG. APP.
K	1	TERMINAL NOTE REVISE 31/32 W.A.S 15/16	12/15/65	15320	A.W.	JCB	JE
J	1	COMPLETELY REVISED	12/28/64	11941	Emb	JCB	JE
H	2	LOCKWASHER, MIL. STD. ADDED					
H	1	CATALOG NO. CLARIFIED	10-25-62	7509	Emb	JCB	JE

TOLERANCES		SCALE S401-47 / CODE: B
ALL OTHERS	DEC. DIM. ± FRAC. DIM. ± 1/32 ANGULAR DIM. ±	DRILL, PUNCH, COMMERCIAL STOCK SIZES AND MANUFACTURERS TOLERANCES ARE NOT INCLUDED.