

IF IT IS FOUND DESIRABLE TO CHANGE ANY TOLERANCE OR OTHER DETAIL SPECIFIED ON THIS DRAWING NOTIFY THE PURCHASER PROMPTLY.

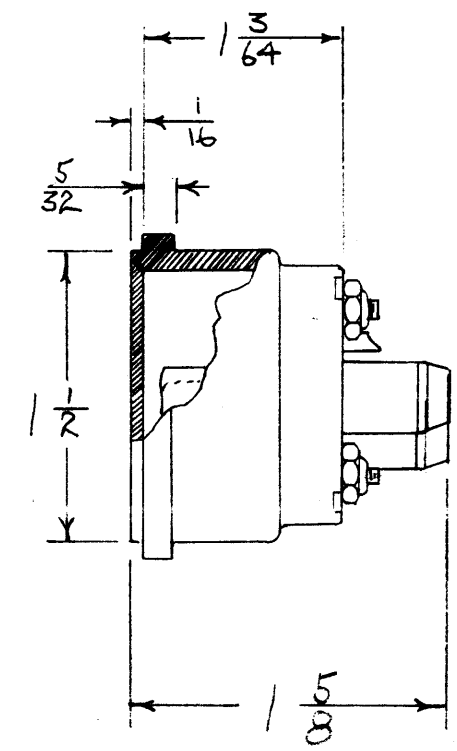
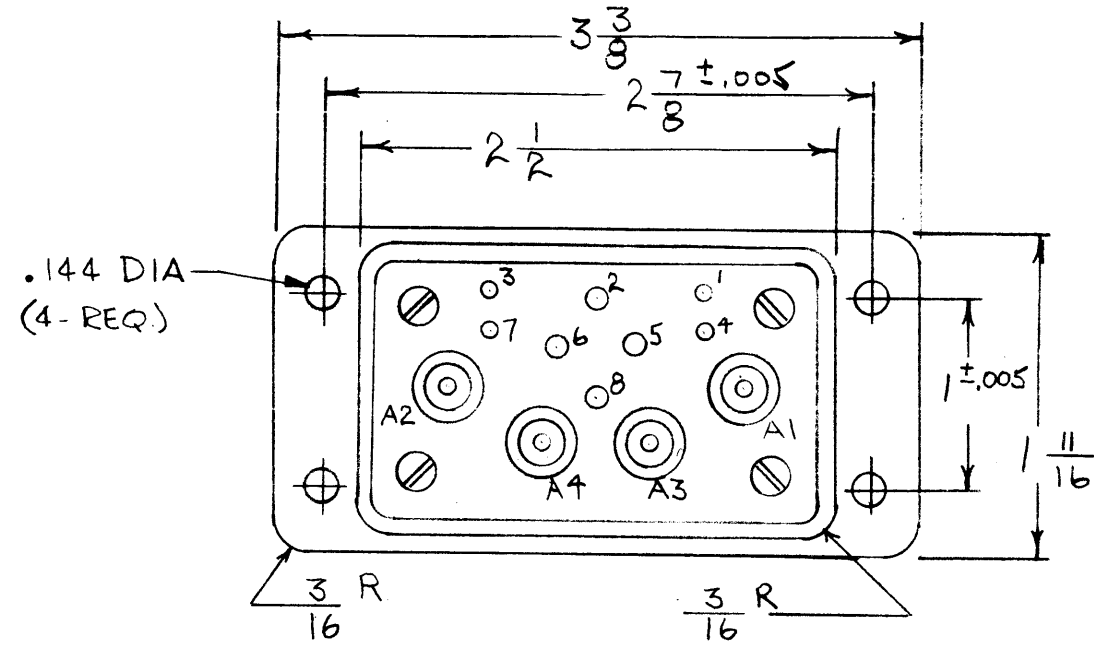
MAXIMUM ALLOWABLE TOLERANCES HAVE BEEN DETERMINED AND DEVIATIONS WILL BE CAUSE FOR REJECTION. REMOVE ALL BURRS AND SHARP EDGES

RELEASED

JJ-104

NOTE:

1. SHELL MATERIAL - ALUMINUM ALLOY.
2. SHELL FINISH - CADMIUM PLATED (WITH NATURAL CADMIUM COLOR).
3. INSERT INSULATION - FABRICATED PHENOLIC.
4. CONTACTS - BRASS AND COPPER ALLOY, SILVER PLATED.



TOTAL CONTACTS:	12	MIN. CLEARANCE
4 - 10 AMP. (#1,3,4,7)		1/16
2 - 15 AMP. (#5,6)		11/64
2 - 15 AMP. (#2,8)		3/64
4 - CO-AXIALS, 10 AMP. (A1,A2,A3,A4)		GROUNDED

NOTICE TO PERSONS RECEIVING THIS DRAWING

THE TECHNICAL MATERIEL CORPORATION claims proprietary right in the material disclosed hereon. This drawing is issued in confidence for engineering information only and may not be reproduced or used to manufacture anything shown hereon without permission from THE TECHNICAL MATERIEL CORPORATION to the user. This drawing is loaned for mutual assistance and is subject to recall at any time.

Property of:  
THE TECHNICAL MATERIEL CORPORATION  
MAMARONECK, NEW YORK

REF: CANNON ELECTRIC CO., TYPE: DPD-12C4-34P

REQ.	ITEM	PART NO.	DESCRIPTION	SYMBOL
			THE TECHNICAL MATERIEL CORP. MAMARONECK, NEW YORK	
			CONNECTOR - MULTI - COAXIAL	
			WDC 11-21-52 G.T.O	
			CD.D. 11-21-52	
			CHECKED	FINAL APPROVAL
				JJ-104

ISSUE	ITEM	CHANGED FROM	DATE	CN. NO.	DRAFTS	CHECKER	ENG. APP.
A	2	NOTE (2) CLARIFIED, (3) ADDED	10-9-62	7396			
	1	CO-AXIAL CONTACT CLARIFIED					

REQ. PER UNIT	MODEL	PROJECT NO.	ASSY. NO.	DATE
2	FFR-DPH	333	A-85A	10-19-54
2	FFR-DP		A-334	1-21-53
	FFR	104	A-277	11-21-52