

IF IT IS FOUND DESIRABLE TO CHANGE ANY TOLERANCE OR OTHER DETAIL SPECIFIED ON THIS DRAWING NOTIFY THE PURCHASER PROMPTLY.

# STANDARD DRAWING

JJ-101



MAXIMUM ALLOWABLE TOLERANCES HAVE BEEN DETERMINED AND DEVIATIONS WILL BE CAUSE FOR REJECTION. REMOVE ALL BURRS AND SHARP EDGES

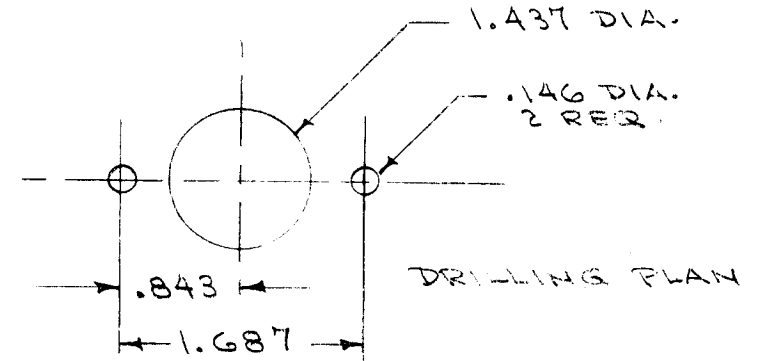
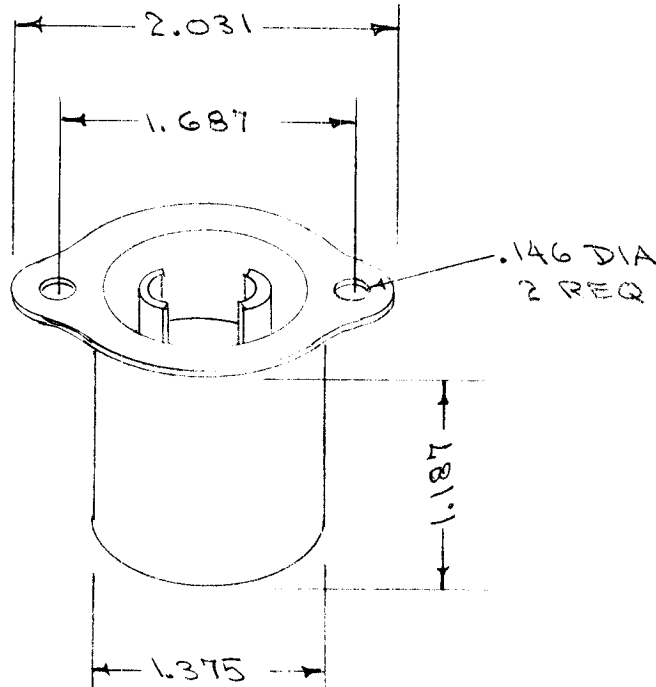
USED ON

MODEL

PROJECT NO.

ASS'Y. NO.

DATE



2 WIRE FLUSH BASE RECEPTACLE. 10 AMPS - 250 VOLTS; 15 AMPS - 125 VOLTS.  
METAL CASING PLATED TO WITHSTAND 50 HOUR SALT SPRAY TEST WITHOUT DETERIORATION TO BASE METAL.  
INSULATION - BLACK PHENOLIC

REF. HUBBELL MFG. CO. CAT. NO. 6803

REQ.	ITEM	PART NO.	DESCRIPTION	SYMBOL
	#		THE TECHNICAL MATERIEL CORP. MAMARONECK, NEW YORK	
		STOCK SIZE		
	#	#	RECEPTACLE, MALE	
		MATERIAL	NON-POLARIZED	
		WEIGHT PER PC.		
		TYPE & TEMPER	C.D.D. 12-15-54	
		HEAT TREAT. SPEC.	DRAWN 12-15-54	
		FINISH & SPEC. NO.	CHECKED	FINAL APPROVAL

✓		ORIGINAL RELEASE						
#	#	REDRAWN, NO CHANGE	1/15/54	#	chris	J.A.R.		
ISSUE	ITEM	CHANGED FROM	DATE	CN. NO.	DRAFTS	CHECKER	ENG. APP.	

TOLERANCES		SCALE
ALL OTHERS	DEC. DIM. ± FRAC. DIM. ± ANGULAR DIM. ±	DRILL, PUNCH, COMMERCIAL STOCK SIZES AND MANUFACTURERS TOLERANCES ARE NOT INCLUDED.

JJ-101

