

IF IT IS FOUND DESIRABLE TO CHANGE ANY TOLERANCE OR OTHER DETAIL SPECIFIED ON THIS DRAWING NOTIFY THE PURCHASER PROMPTLY.

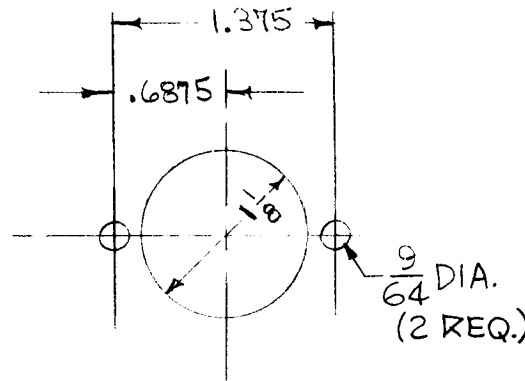
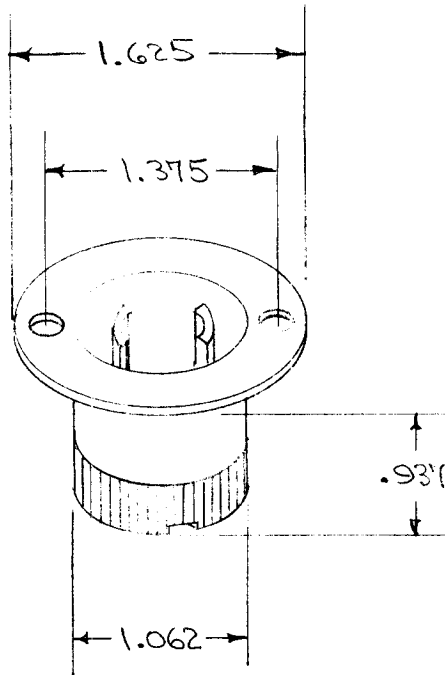
STANDARD DRAWING

JJ-100 C

MAXIMUM ALLOWABLE TOLERANCES HAVE BEEN DETERMINED AND DEVIATIONS WILL BE CAUSE FOR REJECTION.
REMOVE ALL BURRS AND SHARP EDGES

USED ON

MODEL	PROJECT NO.	ASS'Y. NO.	DATE
-------	-------------	------------	------



DRILLING PLAN

SPECIFICATIONS

NUMBER OF CONTACTS — 2
SHIELDING — NONE
BODY MATERIAL — BAKELITE
 TYPE CFG. PER MIL-M-14F
CONTACTS — BRASS
SHELL — NICKEL PLATED BRASS
 0.025 THICK
CURRENT RATING: —
 — 10AMPS AT 250VAC
 — 15AMPS AT 125VAC
POLARIZATION — NONE
LOCKING — BY ROTATING MATE
WIRE SIZE — 12 AWG MAX
MATING CONNECTOR — TMC-PL-100

REQ.	ITEM	PART NO.		DESCRIPTION			SYMBOL
				THE TECHNICAL MATERIEL CORP.			
				MAMARONECK. NEW YORK			
				RECEPTACLE, MALE, TWIST			
				LOCK			
				C.D.D. 8/28/74			
				G.T.O.			
				DRAWN			
				ELEC. DES. APP.			
				MECH. DES. APP.			
				CHECKED			
				FINAL APPROVAL			
				JJ-100			C
				FINISH & SPEC. NO.			

ISSUE	ITEM	CHANGED FROM	DATE	CN. NO.	DRAFTS	CHECKER	ENG. APP.
C		SPECS. REWRITTEN	3.12.64	11030	WB		
B	1	9/64 Dia. Holes Clarified	4-2-62	6569	EG		
#	#	REDRAWN - NO CHANGE	9/28/54	#	C.D.D.		

TOLERANCES		SCALE	5401-43 (7466)
ALL OTHERS:	DEC. DIM. ± FRAC. DIM. ± ANGULAR DIM. ±	DRILL, PUNCH, COMMERCIAL STOCK SIZES AND MANUFACTURERS TOLERANCES ARE NOT INCLUDED.	