

IF IT IS FOUND DESIRABLE TO CHANGE ANY TOLERANCE OR OTHER DETAIL SPECIFIED ON THIS DRAWING NOTIFY THE PURCHASER PROMPTLY.

STANDARD DRAWING

JJ-033

A

MAXIMUM ALLOWABLE TOLERANCES HAVE BEEN DETERMINED AND DEVIATIONS WILL BE CAUSE FOR REJECTION. REMOVE ALL BURRS AND SHARP EDGES

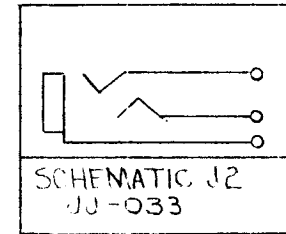
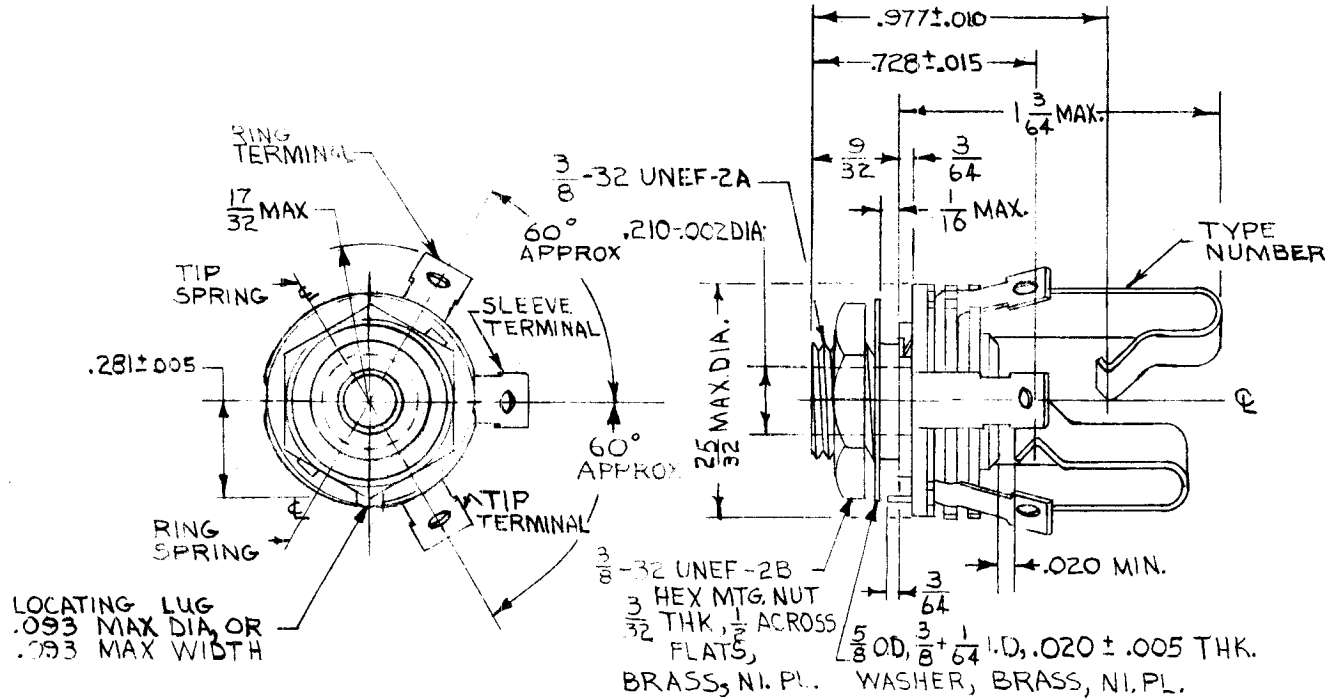
USED ON

MODEL

PROJECT NO.

ASS'Y. NO.

DATE



NOTE: DESIGN OF LOCATING LUG IS OPTIONAL.

REF: MIL-J-641B

S401-154 (C-12 B)

REQ.	ITEM	PART NO.	DESCRIPTION	SYMBOL
		ff	THE TECHNICAL MATERIEL CORP. MAMARONECK, NEW YORK	
		STOCK SIZE		
		ff		JACK
		MATERIAL	WEIGHT PER PC.	
		ff		
		TYPE & TEMPER	16 12-5-52	
		ff	DRAWN	ELEC. DES. APP. MECH. DES. APP.
		HEAT TREAT. SPEC.	CHECKED	FINAL APPROVAL
		ff		JJ 033
		FINISH & SPEC. NO.		A

A	REVISED 3	7-25-66	16626	RME	Q/B	SP	
ISSUE	ITEM	CHANGED FROM	DATE	CN. NO.	DRAFTS	CHECKER	ENG. APP.
TOLERANCES			SCALE				
ALL OTHERS	DEC. DIM. $\pm .005$	DRILL, PUNCH, COMMERCIAL STOCK SIZES AND MANUFACTURERS TOLERANCES ARE NOT INCLUDED.					
	FRAC. DIM. $\pm 1/64$						
	ANGULAR DIM. \pm						