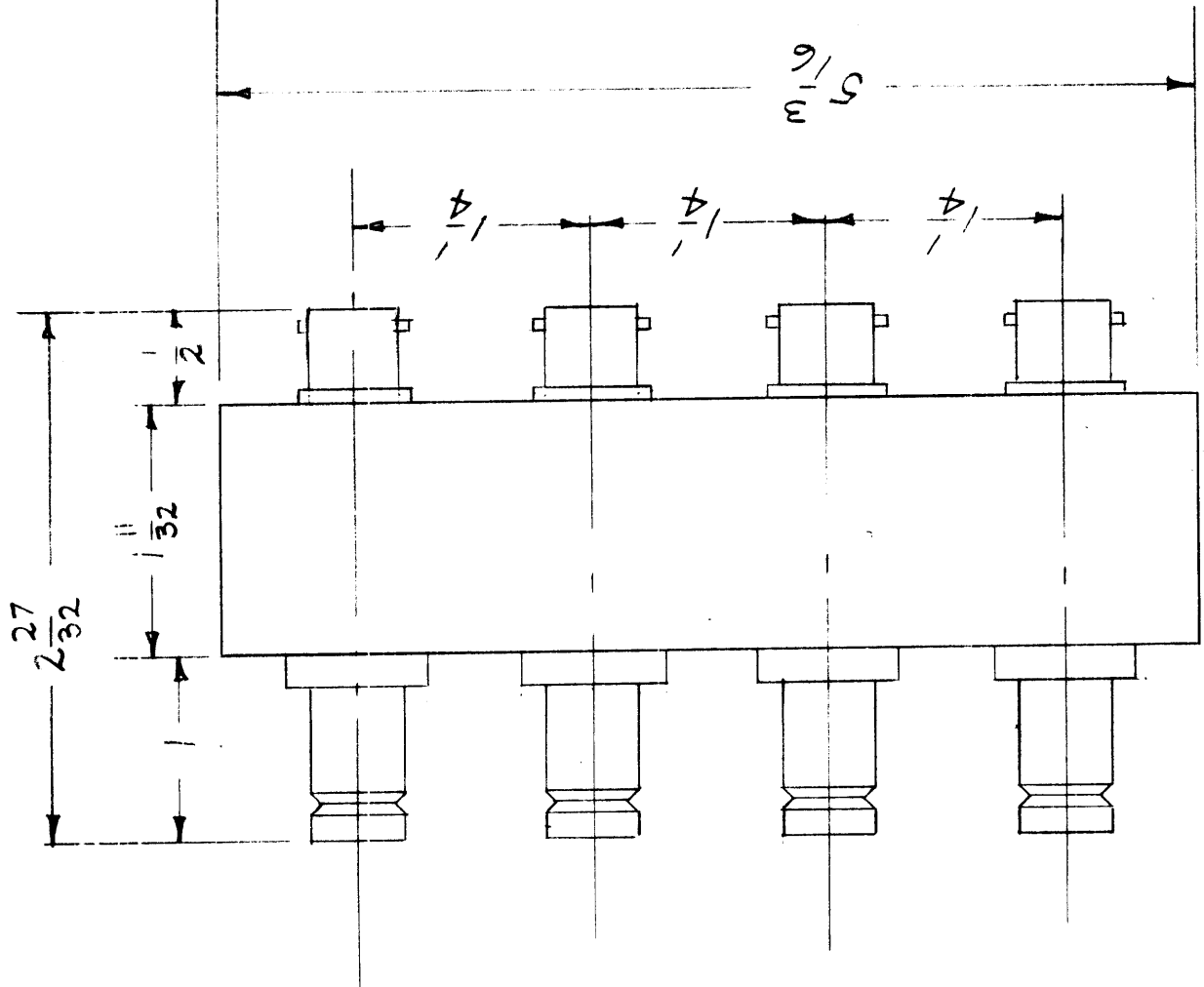
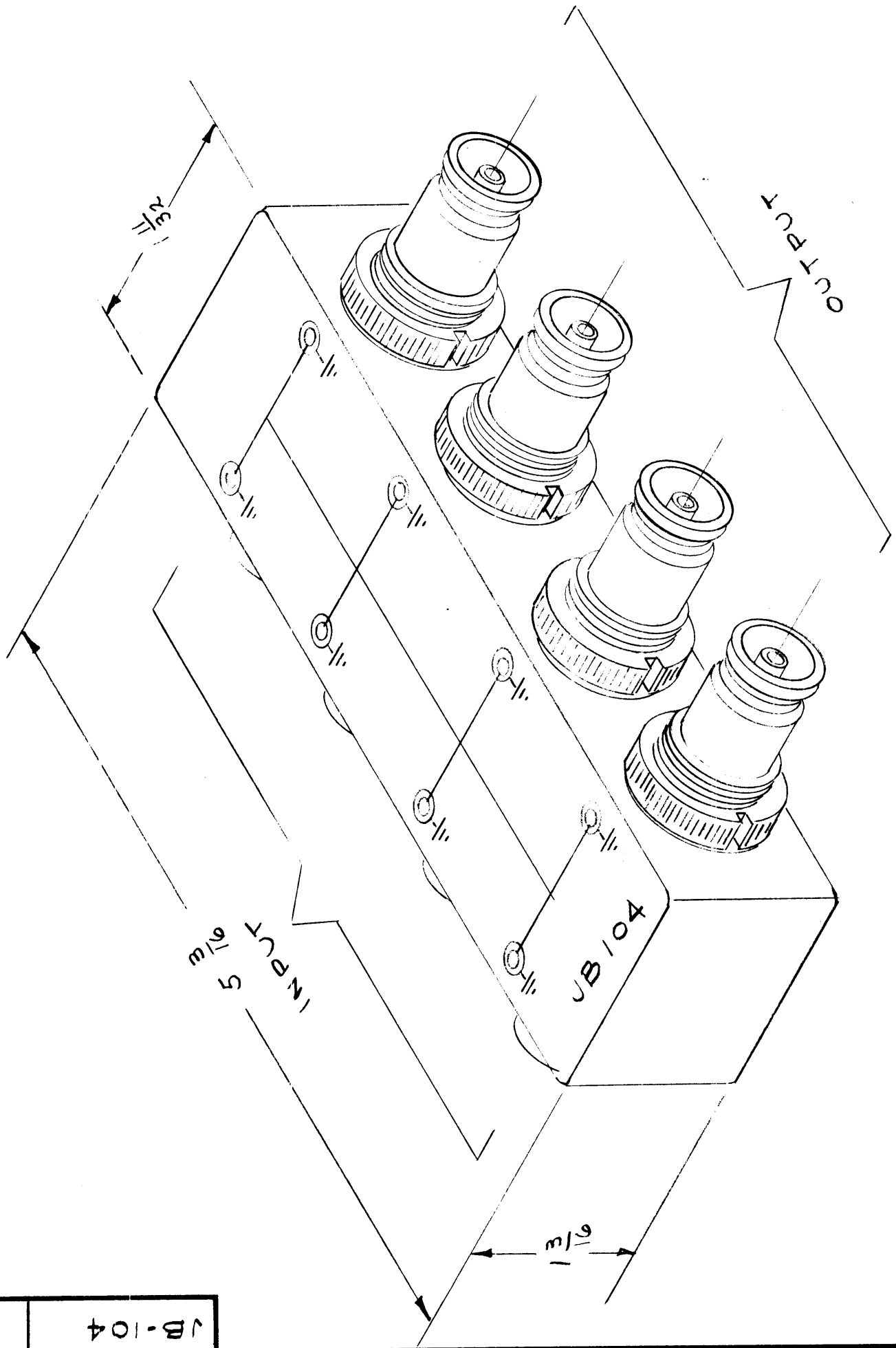


JB-104



NOTE:
TO SECURE NUTS USE TMC
Tool TP-109

ELECTRICAL SPECIFICATIONS
 INPUT CONNECTORS: 4 EACH BNC UG-625/U
 OUTPUT CONNECTORS: 4 EACH QDS, JJ-104
MECHANICAL SPECIFICATIONS
 CASE: ALUMINUM
 FINISH: TMC GRAY

REQ. ITEM	PART NO.	DESCRIPTION	SYMBOL
		THE TECHNICAL MATERIEL CORP. MAMARONECK, NEW YORK	
	STOCK SIZE	JUNCTION BOX, BRIDGING	
	MATERIAL	QD.S. QDS - QYAD BNC	
	TYPE & TEMPER	8-6-59	
	HEATTREAT. PEC.	FILED	
	FINISH & SPEC. NO.	CHECKED	FINAL APPROVAL
	USED ON		JB-104

ISSUE ITEM	CHANGED FROM	DATE	CH. NO.	DRAFTS	CHECKER	ENG. APP.
TOLERANCES						
SCALE:						
MAXIMUM ALLOWABLE TOLERANCES HAVE BEEN DETERMINED AND ANY DEVIATIONS WILL BE CAUSE FOR REJECTION: REM VE ALL BURRS AND SHARP EDGES						