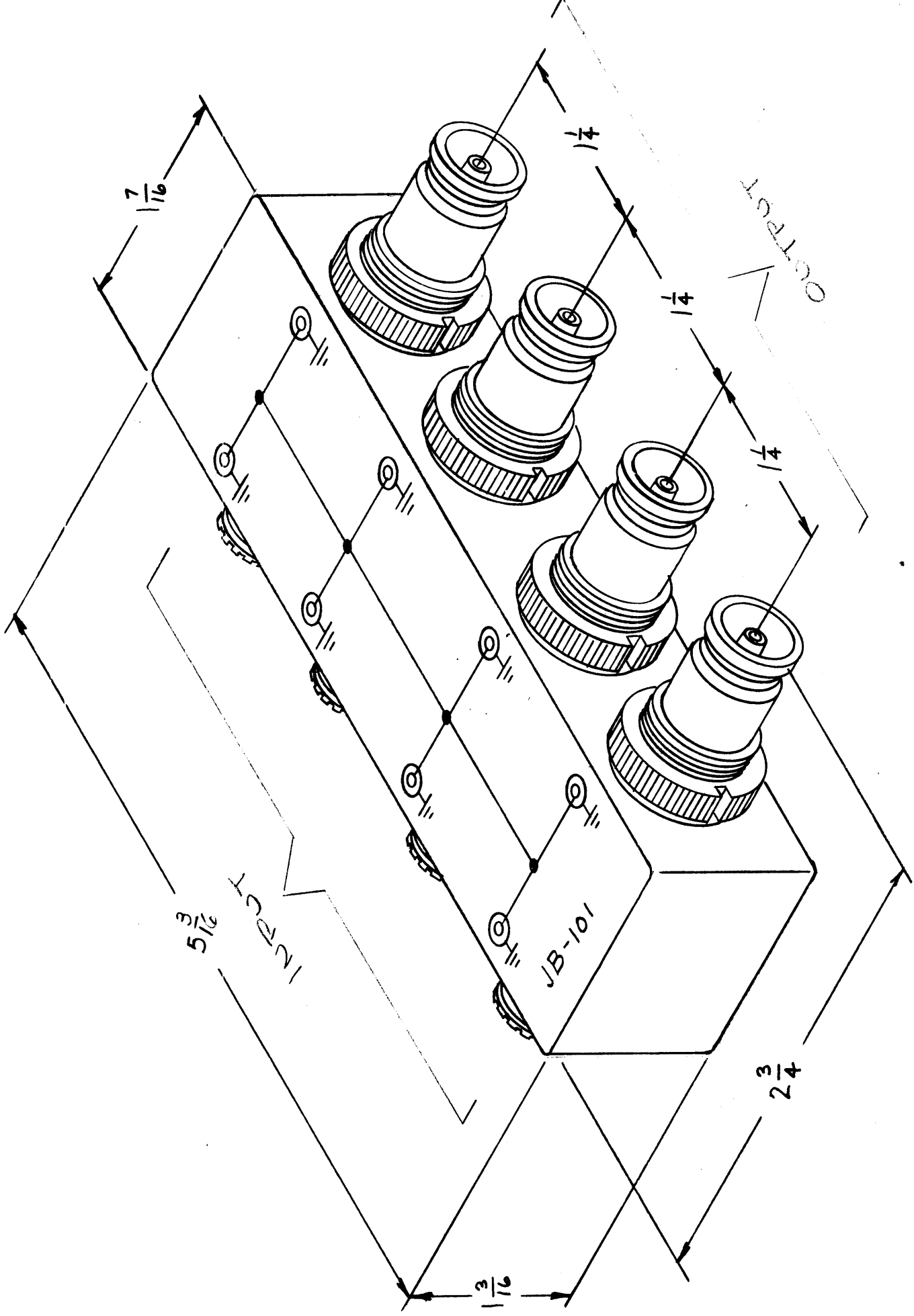


MECHANICAL SPECIFICATIONS

CASE : ALUMINUM  
FINISH : TMC GRAY

ELECTRICAL SPECIFICATIONS

INPUT CONNECTORS : 4 EACH UHF (SO-239)  
OUTPUT CONNECTORS : 4 EACH QDS



NOTICE TO PERSONS RECEIVING THIS DRAWING

THE TECHNICAL MATERIEL CORPORATION claims proprietary right in the material disclosed hereon. This drawing is issued in confidence for engineering information only and may not be reproduced or used to manufacture anything shown hereon without permission from THE TECHNICAL MATERIEL CORPORATION to the user. This drawing is loaned for mutual assistance and is subject to recall at any time.

Property of:  
THE TECHNICAL MATERIEL CORPORATION  
MAMARONECK, NEW YORK

NOTE:  
TO SECURE NUTS USE TMC  
TOOL TP-109

REQ. ITEM	PART NO.	DESCRIPTION	SYMBOL
		THE TECHNICAL MATERIEL CORP. MAMARONECK, NEW YORK	
	STOCK SIZE	JUNCTION Box, BRIDGING	
	MATERIAL	QDS - UHF	
	TYPE & TEMPER	MJT 2-9-59	
	HEAT TREAT. SPEC.	DRAWN	CHECKED
	FINISH & SPEC. NO.	MC	FINAL APPROVAL
			JB-101
REQ. PER UNIT	PROJECT NO.	DATE	
	BIF-4	2-9-59	
	MODEL	ASSY. NO.	
		USED ON	
ISSUE ITEM	CHANGED FROM	DATE	CH. NO.
			DRAFTS
			CHECKER
			ENG. APP.
TOLERANCES			
SCALE:			
MAXIMUM ALLOWABLE TOLERANCES HAVE BEEN DETERMINED AND ANY DEVIATIONS WILL BE CAUSE FOR REJECTION. REMOVE ALL BURRS AND SHARP EDGES			
DEC. DIM. ±			
FAC. DIM. ±			
CULAR DIM. ±			

JB-101