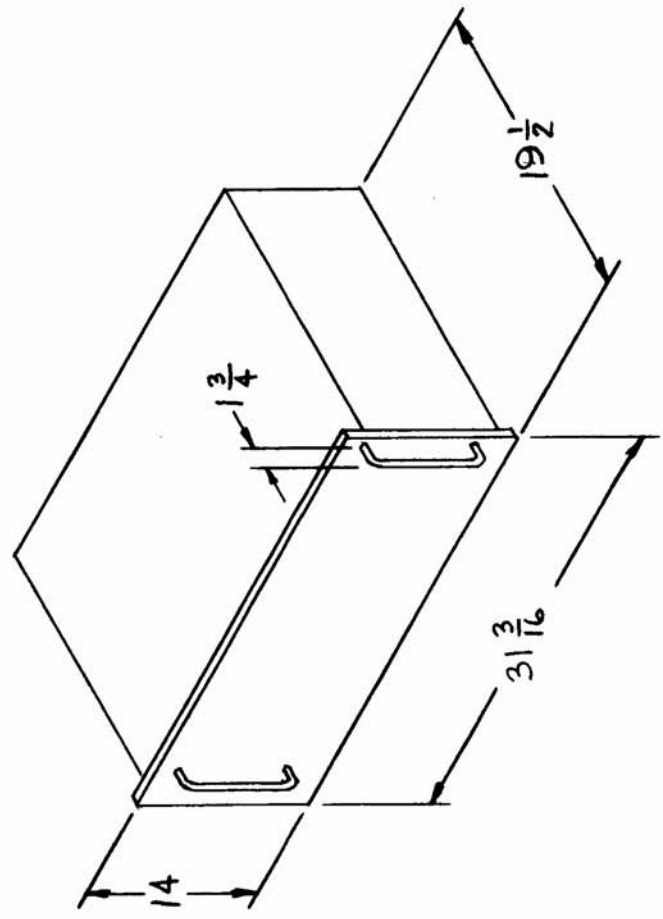


REQ. PER UNIT	USED ON	IN-1073	SYMBOL	Ø
MODEL	ASSY. NO.			
RTX-2				
	DATE			



REQ. ITEM	PART NO.	DESCRIPTION	SYMBOL
		THE TECHNICAL MATERIEL CORP. MAMARONECK. NEW YORK	
		DIMENSIONAL OUTLINE DRAWING MODEL RTX-2	
		MJT 11-6-58	
		DRAWN	
		CHECKED	
		FINAL APPROVAL	
			IN-1073
			Ø

TYPE & TEMPER	HEAT TREAT. SPEC.	FINISH & SPEC. NO.

DATE	CH. NO.	DRAFTS	CHECKER	ENG. APP.
9/6/49				

SCALE:

MAXIMUM ALLOWABLE TOLERANCES HAVE BEEN DETERMINED AND ANY DEVIATIONS WILL BE CAUSE FOR REJECTION. REMOVE ALL BURRS AND SHARP EDGES

TOLERANCES

DEC. DIM. ±
FRAC. DIM. ±
ANGULAR DIM. ±