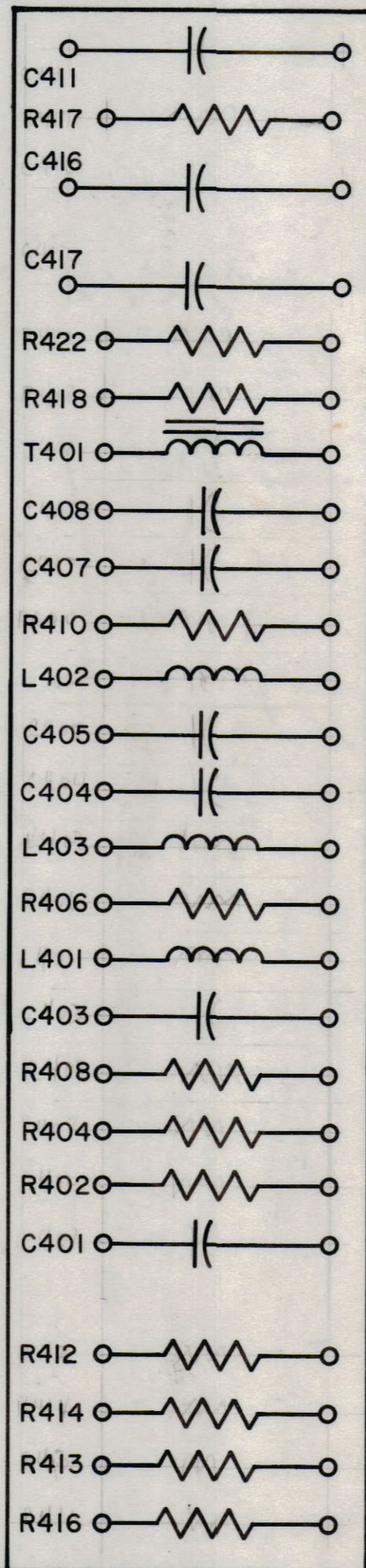


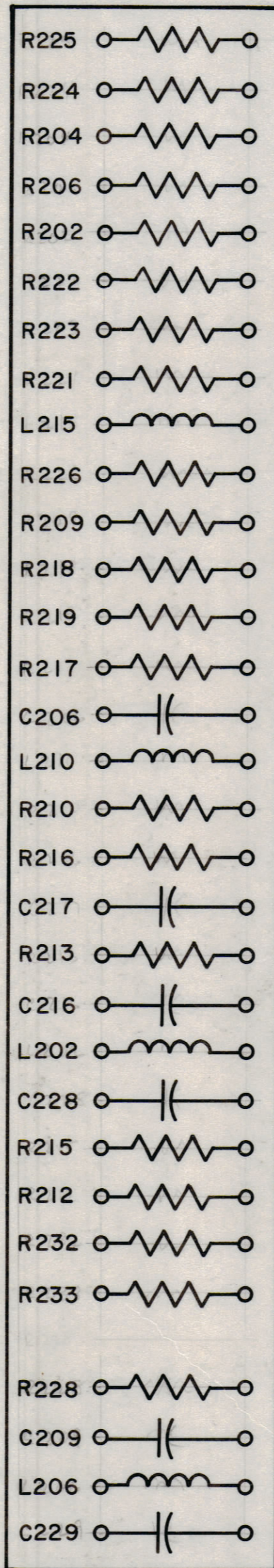
AND DESIRABLE TO CHANGE ANY TOLERANCE
DETAIL SPECIFIED ON THIS DRAWING NOTIFY
CHASER PROMPTLY.

ALLOWABLE TOLERANCES HAVE BEEN DETER-
MINED AND DEVIATIONS WILL BE CAUSE FOR REJECTION.
REMOVE ALL BURRS AND SHARP EDGES.

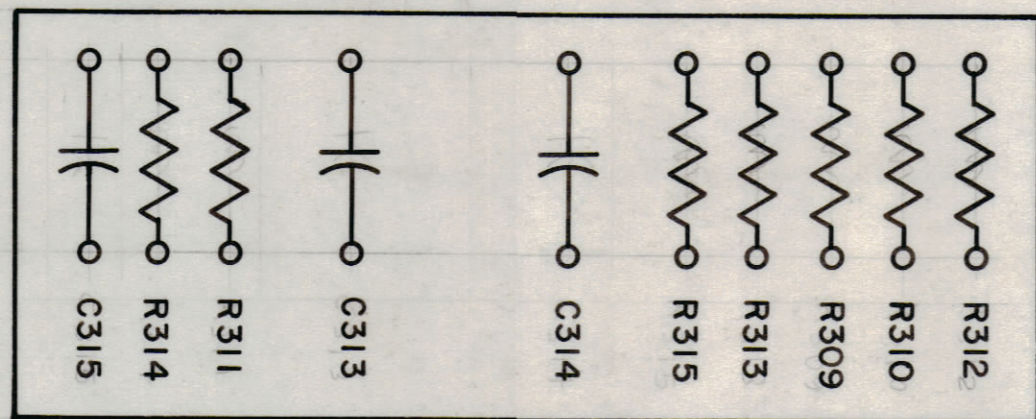
TB401



TB201



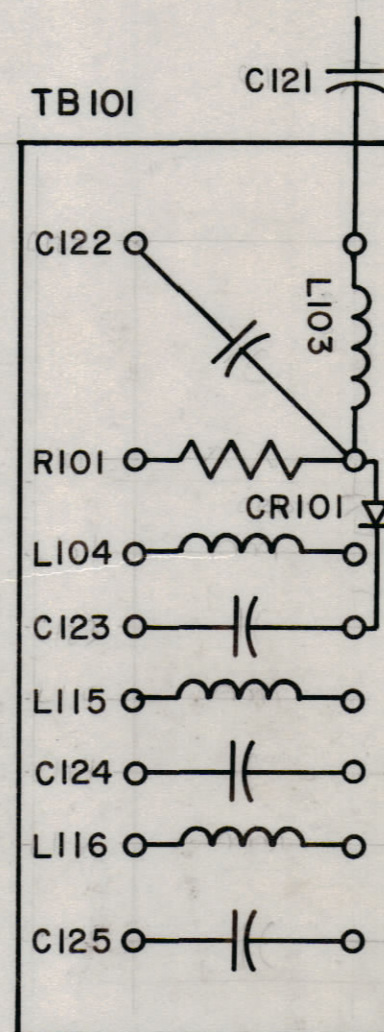
TB301



NOTICE TO PERSONS RECEIVING THIS DRAWING

THE TECHNICAL MATERIEL CORPORATION claims
proprietary right in the material disclosed hereon.
This drawing is issued in confidence for engineering
information only and may not be reproduced or used
to manufacture anything shown hereon without per-
mission from THE TECHNICAL MATERIEL CORPORA-
TION to the user. This drawing is loaned for mutual
assistance and is subject to recall at any time.

Property of:
THE TECHNICAL MATERIEL CORPORATION
MAMARONECK, NEW YORK



IN-1096 ϕ

ISSUE	ITEM	CHANGED FROM	DATE	CH. NO.	DRAFTS	CHECKER	ENG. APP.
		ORIGINAL RELEASE	4/2/69				
TOLERANCES		SCALE:					
ALL OTHERS	DEC. DIM. \pm FRAC. DIM. \pm ANGULAR DIM. \pm	DRILL, PUNCH, COMMERCIAL STOCK SIZES AND MANUFACTURERS TOLERANCES ARE NOT INCLUDED.					

REQ. PER UNIT	MODEL	PROJECT NO.	ASSY. NO.	DATE
	USED ON			

REQ.	ITEM	PART NO.	DESCRIPTION	SYMBOL
THE TECHNICAL MATERIEL CORP. MAMARONECK, NEW YORK				
STOCK SIZE				
MATERIAL WEIGHT PER PC.				
TYPE & TEMPER				
HEAT TREAT. SPEC.				
FINISH & SPEC. NO.				
			DRAWN ELEC. DES. APP. MECH. DES. APP.	
			CHECKED FINAL APPROVAL	
			MIT 8-18-59	
			SJM 4/22/69	
			IN-1096 ϕ	