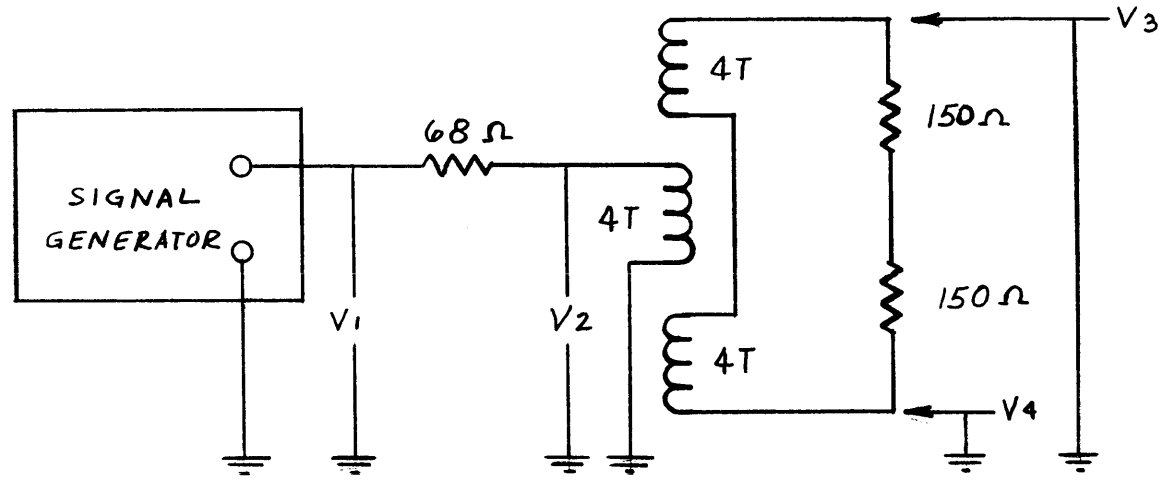
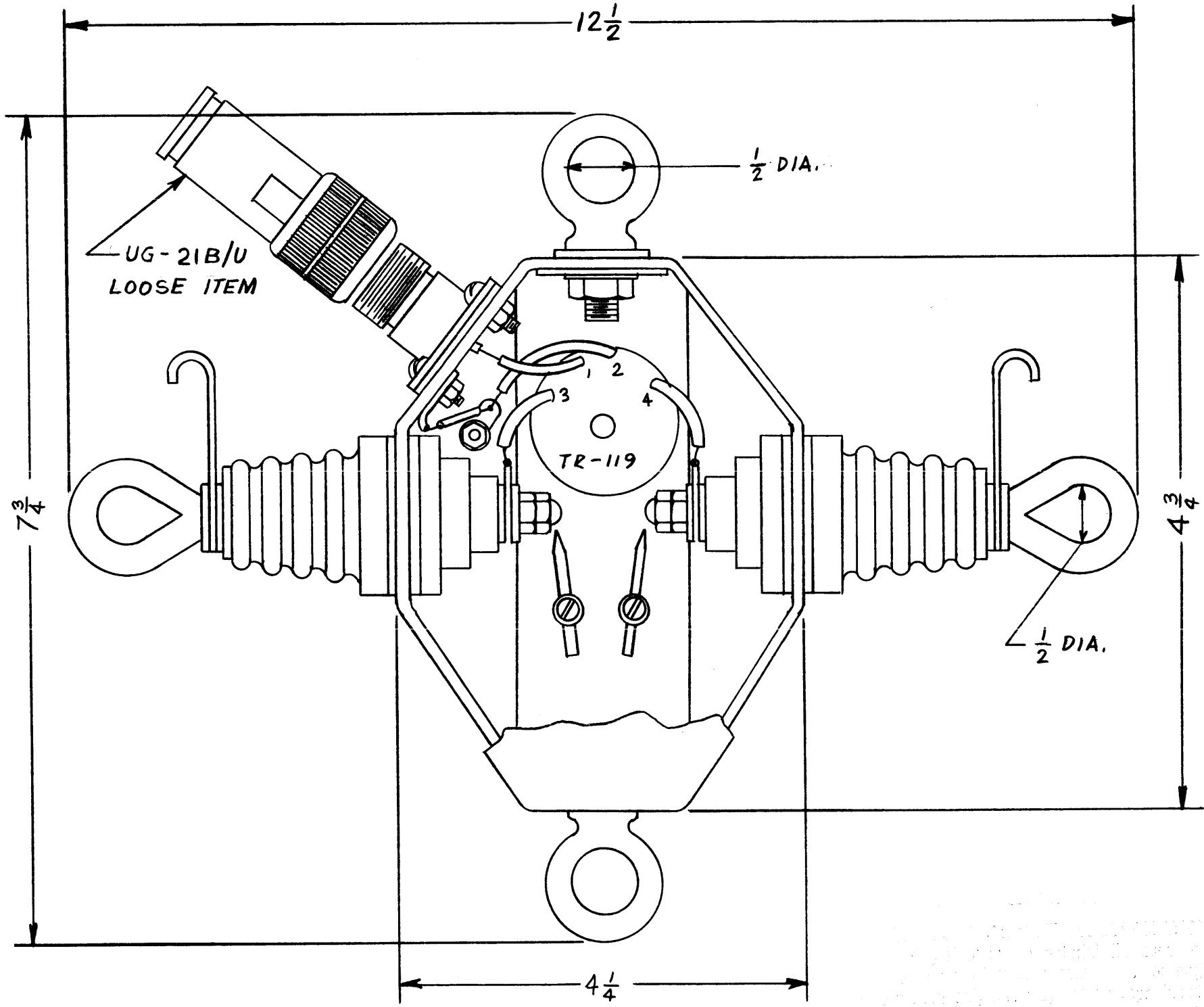


1/N-1053

ELECTRICAL TEST DATA, TR-119



f. mc	R.F. VOLTS *			
	V1	V2	V3	V4
2	1.0	.40	.39	.39
8	1.0	.47	.44	.46
32	1.0	.56	.44	.46

* VOLTAGES MEASURED WITH H.P. VTVM

MAXIMUM OVERALL DIMENSION INCLUDING TERMINALS
12 1/2" WIDE X 7 3/4" LONG X 2 1/4" DEEP

THIS DRAWING IS THE PROPERTY OF THE TECHNICAL MATERIEL CORPORATION. IT IS TO BE KEPT IN CONFIDENCE AND NOT TO BE REPRODUCED OR TRANSMITTED IN ANY FORM OR BY ANY MEANS, ELECTRONIC OR MECHANICAL, INCLUDING PHOTOCOPYING, RECORDING, OR BY ANY INFORMATION STORAGE AND RETRIEVAL SYSTEM, WITHOUT THE WRITTEN PERMISSION OF THE TECHNICAL MATERIEL CORPORATION.

THE TECHNICAL MATERIEL CORPORATION

ISSUE	ITEM	CHANGED FROM	DATE	CH. NO.	DRAFTS	CHECKER	ENG. APP.
Ø		ORIGINAL RELEASE	8/4/69				

TOLERANCES

SCALE:

MAXIMUM ALLOWABLE TOLERANCES HAVE BEEN DETERMINED AND ANY DEVIATIONS WILL BE CAUSE FOR REJECTION. REMOVE ALL BURRS AND SHARP EDGES

REQ. PER UNIT	MODEL	PROJECT NO.	ASS'Y. NO.	DATE

USED ON

REQ. ITEM	PART NO.	DESCRIPTION	SYMBOL
		THE TECHNICAL MATERIEL CORP. MAMARONECK, NEW YORK	
		DIMENSIONAL OUTLINE	
		DAC-2	
		MJT 2-4-59	
		DRAWN	CHECKED
			FINAL APPROVAL
			IN-1053 Ø
		FINISH & SPEC. NO.	ELEC. DES. APP. MECH. DES. APP.