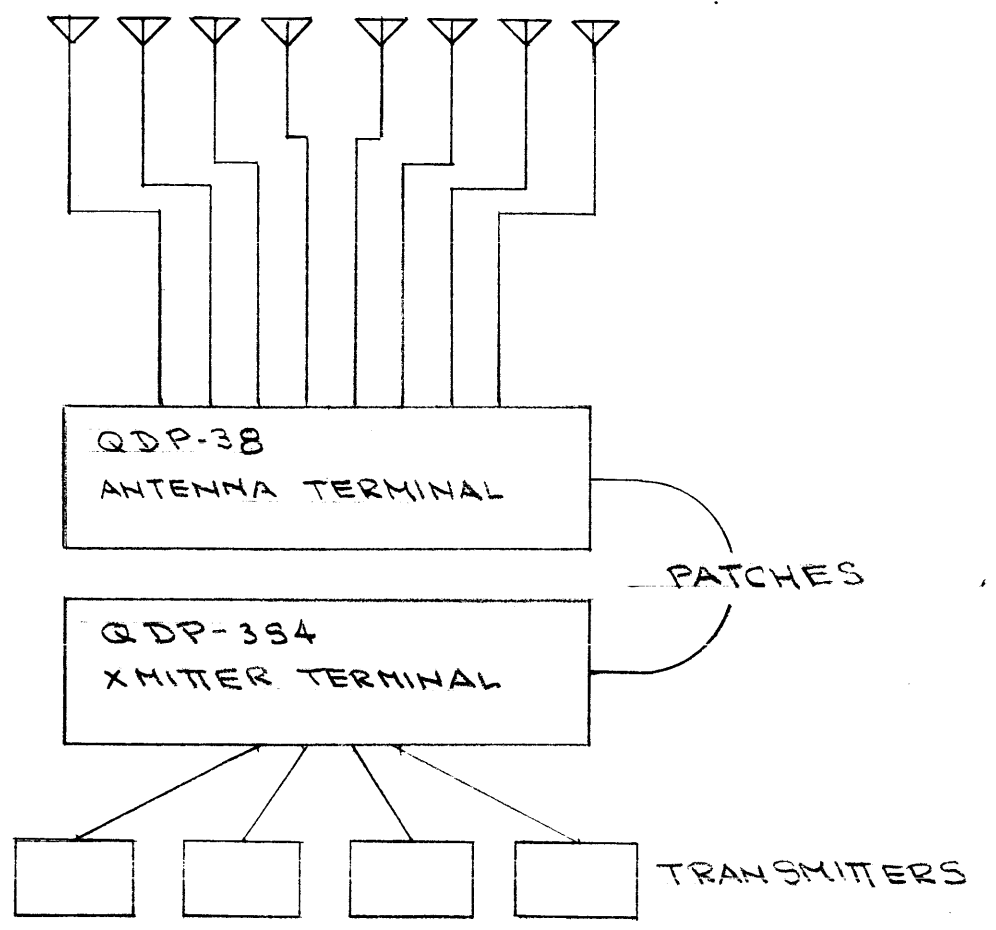
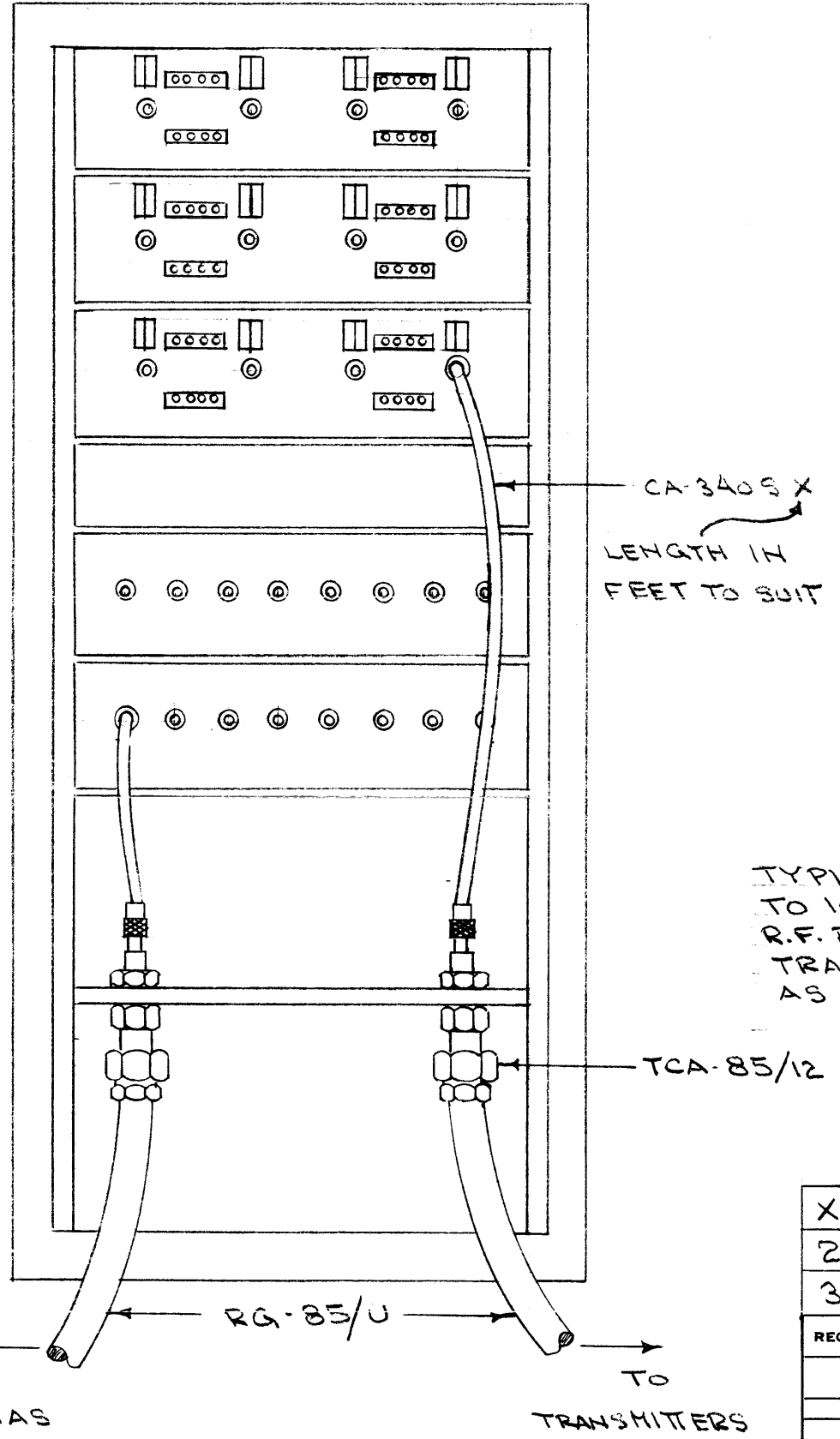
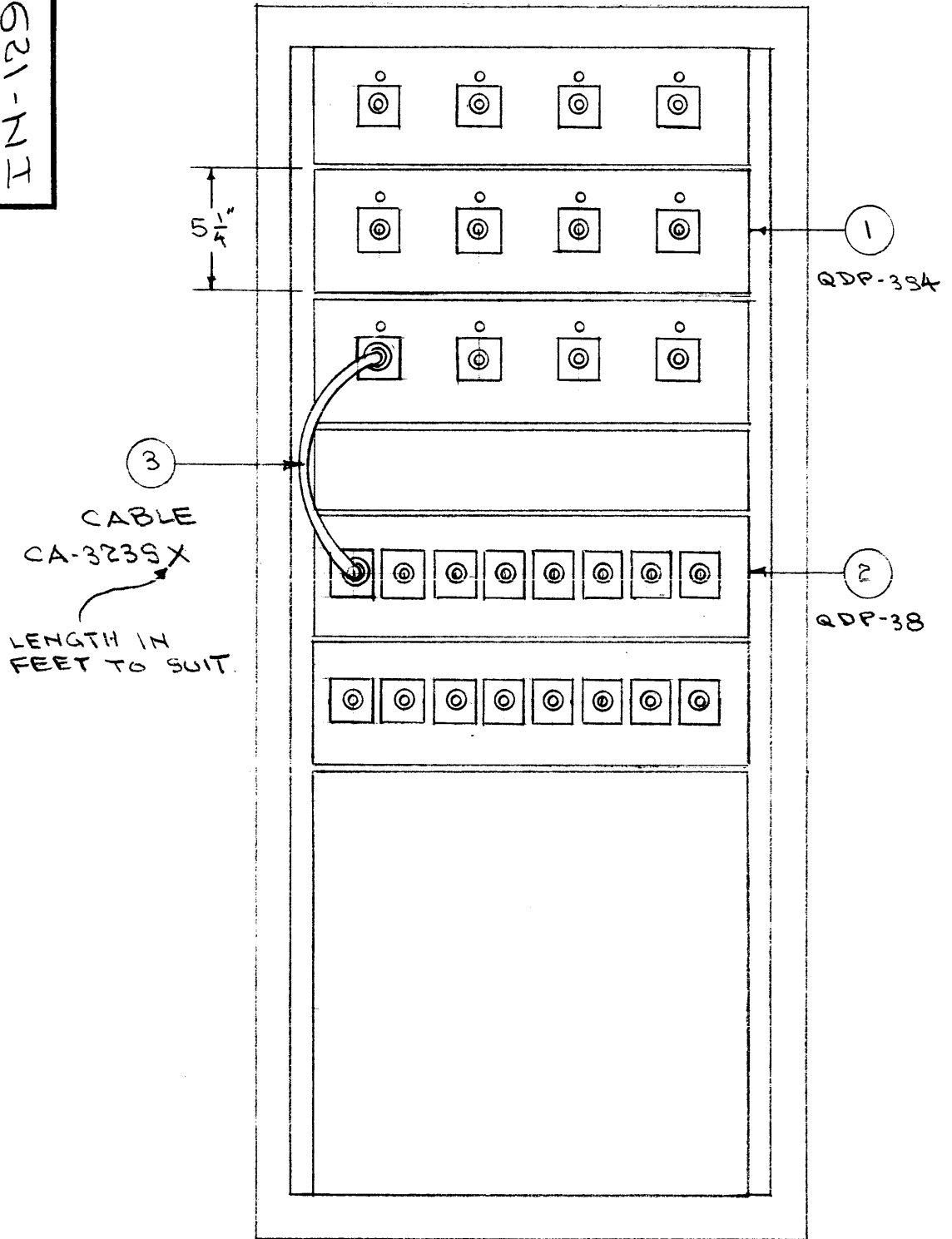


G21-NI

FRONT VIEW

REAR VIEW



TYPICAL SYSTEM FOR PATCHING 12 TRANSMITTERS TO 16 ANTENNAS. USE OF SWITCHING TYPE R.F. PATCH PANEL ASSEMBLY, QDP-354, FOR TRANSMITTER CONNECTIONS RECOMMENDED AS SAFETY FACTOR.

ISSUE	ITEM	CHANGED FROM	DATE	CH. NO.	DRAFTS	CHECKER	ENG. APP.
TOLERANCES			SCALE:				
DEC. DIM. ±			MAXIMUM ALLOWABLE TOLERANCES HAVE BEEN DETERMINED AND ANY DEVIATIONS WILL BE CAUSE FOR REJECTION.				
FRAC. DIM. ±			REMOVE ALL BURRS AND SHARP EDGES				
ANGULAR DIM. ±							

REQ. PER UNIT	MODEL	PROJECT NO.	ASS'Y. NO.	DATE	USED ON

REQ. ITEM	PART NO.	DESCRIPTION	SYMBOL
X 3	CA-3235-X	PATCHING CABLE	
2 2	QDP-38	PATCH PANEL ASSY.	
3 1	QDP-354	PATCH PANEL ASSY.	
STOCK SIZE		THE TECHNICAL MATERIEL CORP. MAMARONECK, NEW YORK	
MATERIAL		TYPICAL PATCHING LAYOUT MODELS QDP	
TYPE & TEMPER		HEAT TREAT. SPEC.	
FINISH & SPEC. NO.		ELEC. DES. APP.	MECH. DES. APP.

P.A.
 IN-129