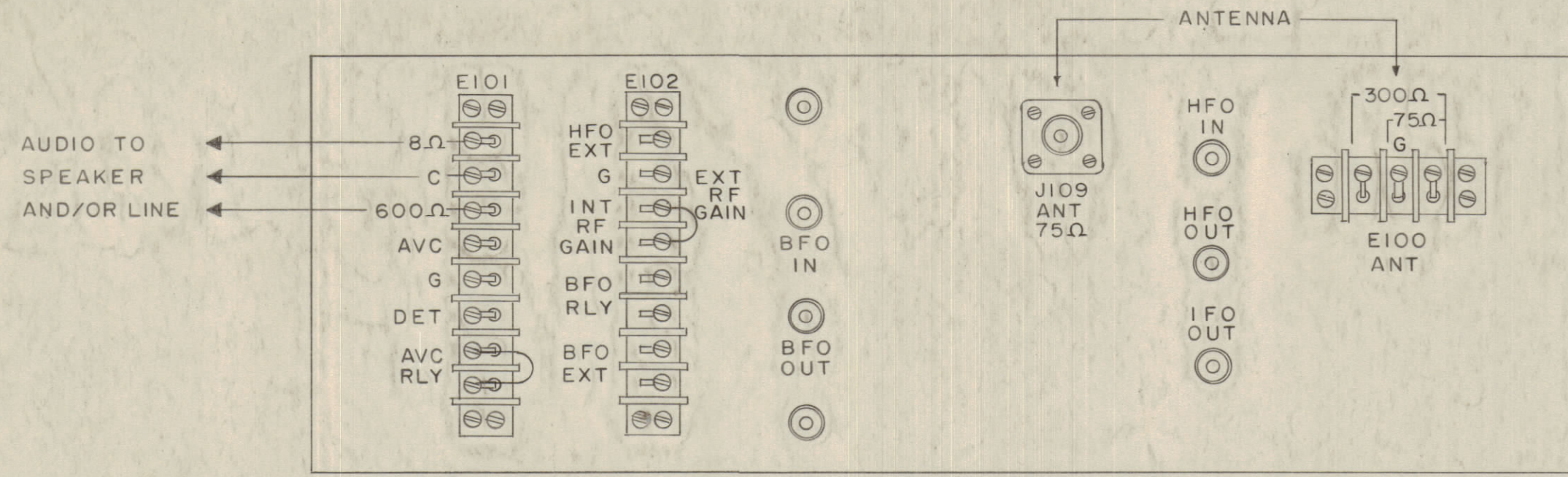
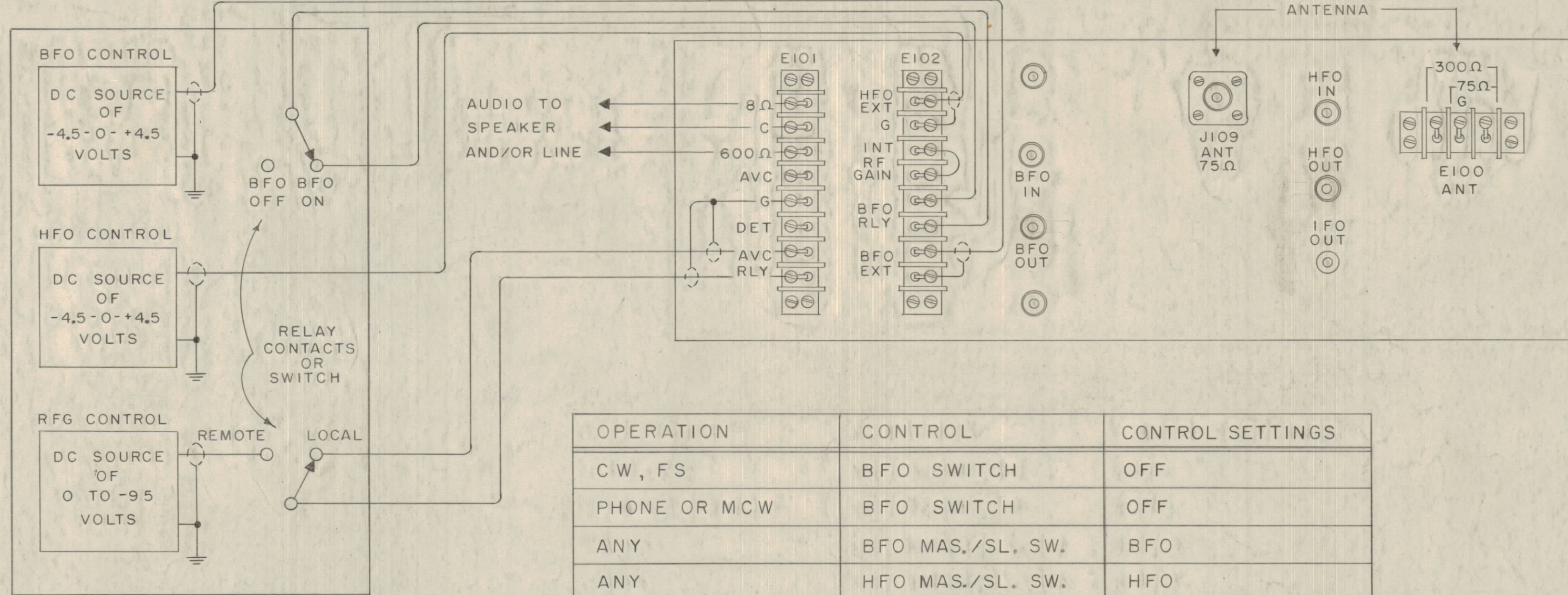


I - SINGLE RECEIVER OPERATION, LOCAL CONTROL



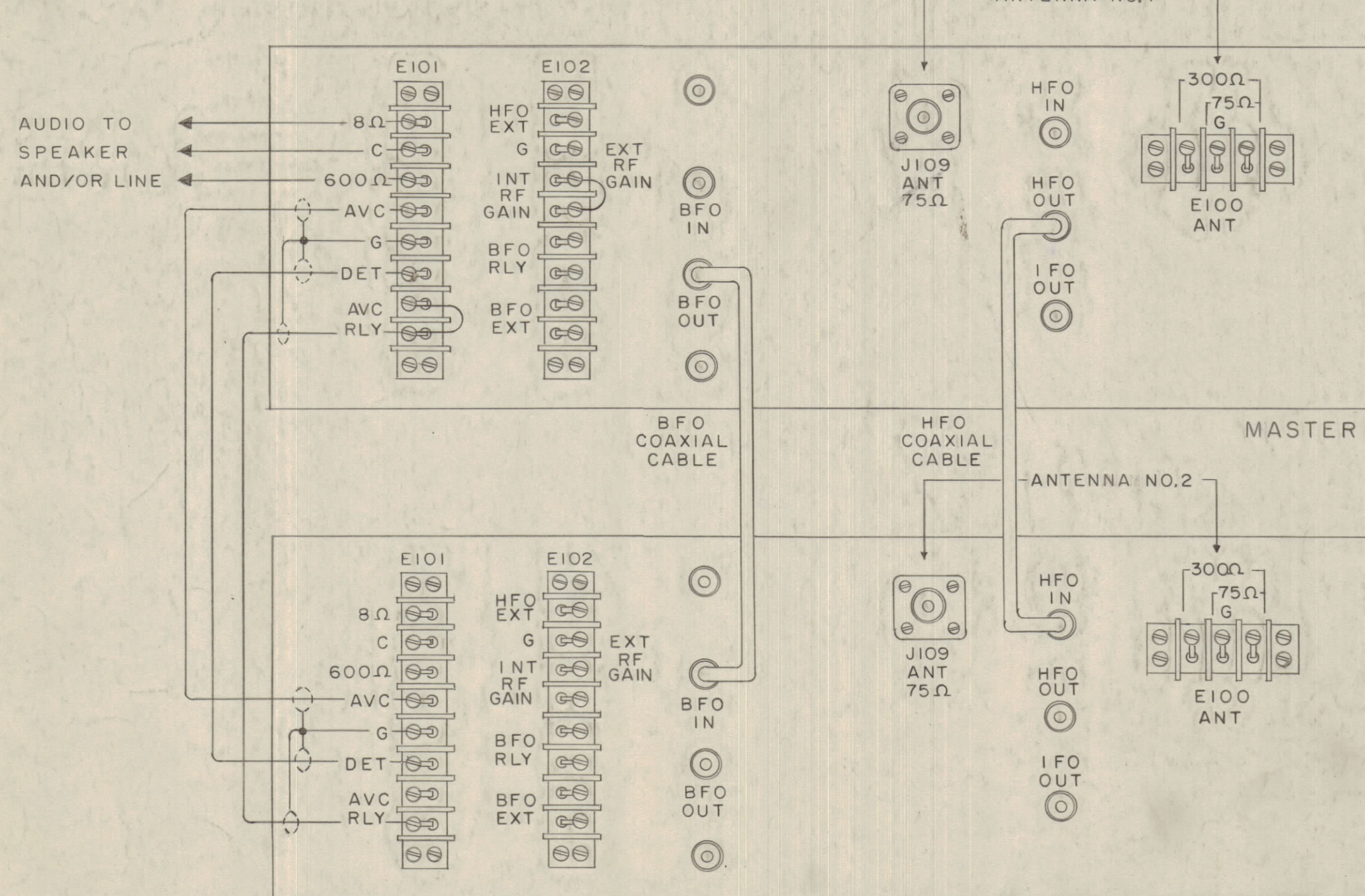
OPERATION	CONTROL	CONTROL SETTINGS
CW, FS	BFO SWITCH	BFO
PHONE OR MCW	BFO SWITCH	OFF
ANY	BFO MAS./SL. SW.	XTAL OR BFO
ANY	HFO MAS./SL. SW.	XTAL OR HFO
ANY	AVC SWITCH	AVC OR MANUAL

III - SINGLE RECEIVER OPERATION, REMOTE CONTROL



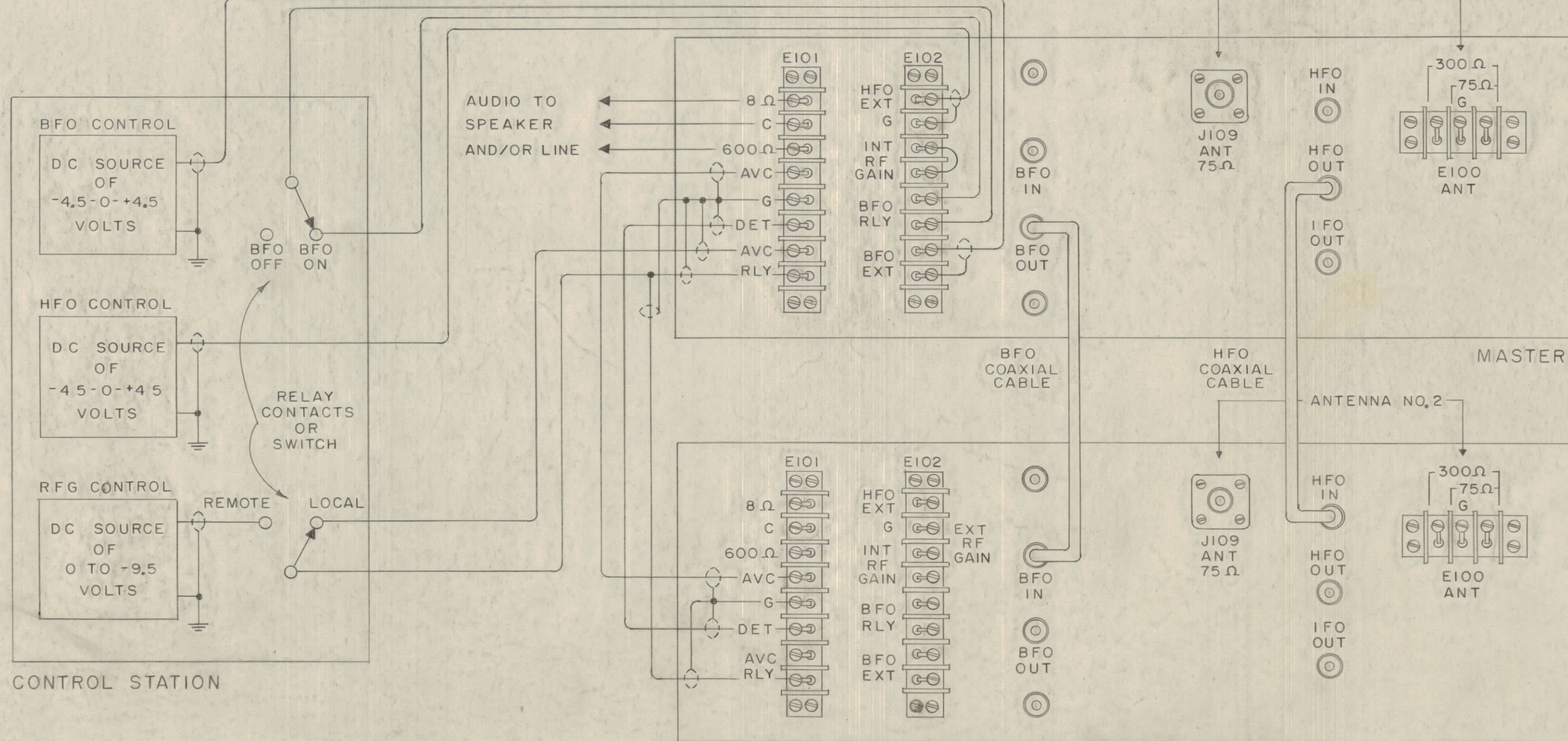
OPERATION	CONTROL	CONTROL SETTINGS
CW, FS	BFO SWITCH	OFF
PHONE OR MCW	BFO SWITCH	OFF
ANY	BFO MAS./SL. SW.	BFO
ANY	HFO MAS./SL. SW.	HFO
ANY	AVC SWITCH	AVC

II - DIVERSITY OPERATION, LOCAL CONTROL



OPERATION	CONTROL	CONTROL SETTINGS	
		MASTER RECEIVER	SLAVE RECEIVER
CW, FS	BFO SWITCH	BFO	BFO
PHONE OR MCW	BFO SWITCH	OFF	OFF
ANY	BFO MAS./SL. SW.	XTAL OR BFO	EXT BFO
ANY	HFO MAS./SL. SW.	XTAL OR HFO	EXT HFO
ANY	AVC SWITCH	AVC OR MANUAL	POS. UNIMPORTANT

IV - DIVERSITY OPERATION, REMOTE CONTROL



OPERATION	CONTROL	CONTROL SETTINGS	
		MASTER RECEIVER	SLAVE RECEIVER
CW, FS	BFO SWITCH	OFF	BFO
PHONE OR MCW	BFO SWITCH	OFF	BFO
ANY	BFO MAS./SL. SW.	BFO	EXT BFO
ANY	HFO MAS./SL. SW.	HFO	EXT HFO
ANY	AVC SWITCH	AVC	POS. UNIMPORTANT

INDICATES SHIELDED LEAD

NOTE THAT WHERE NECESSARY, CHASSIS STAMPING HAS BEEN OMITTED TO MORE CLEARLY SHOW CONNECTIONS TO E102.

NOTICE TO PERSONS RECEIVING THIS DRAWING

THE TECHNICAL MATERIEL CORPORATION claims proprietary right in the material disclosed herein. This drawing is issued in confidence for engineering information only and may not be reproduced or used to manufacture anything shown hereon without permission from THE TECHNICAL MATERIEL CORPORATION to the user. This drawing is loaned for mutual assistance and is subject to recall at any time.

Property of:
THE TECHNICAL MATERIEL CORPORATION
MAMARONECK, NEW YORK

CONNECTIONS AND CONTROL SETTINGS MODEL FFR

THE TECHNICAL MATERIEL CORPORATION
MAMARONECK, NEW YORK

DATE 5/31/54 CHKD. APPD. A.J.J.
DRAWN E.W.S.
SHEET 1 OF 1 NO. IN-116
SUPERSEDES CK-138