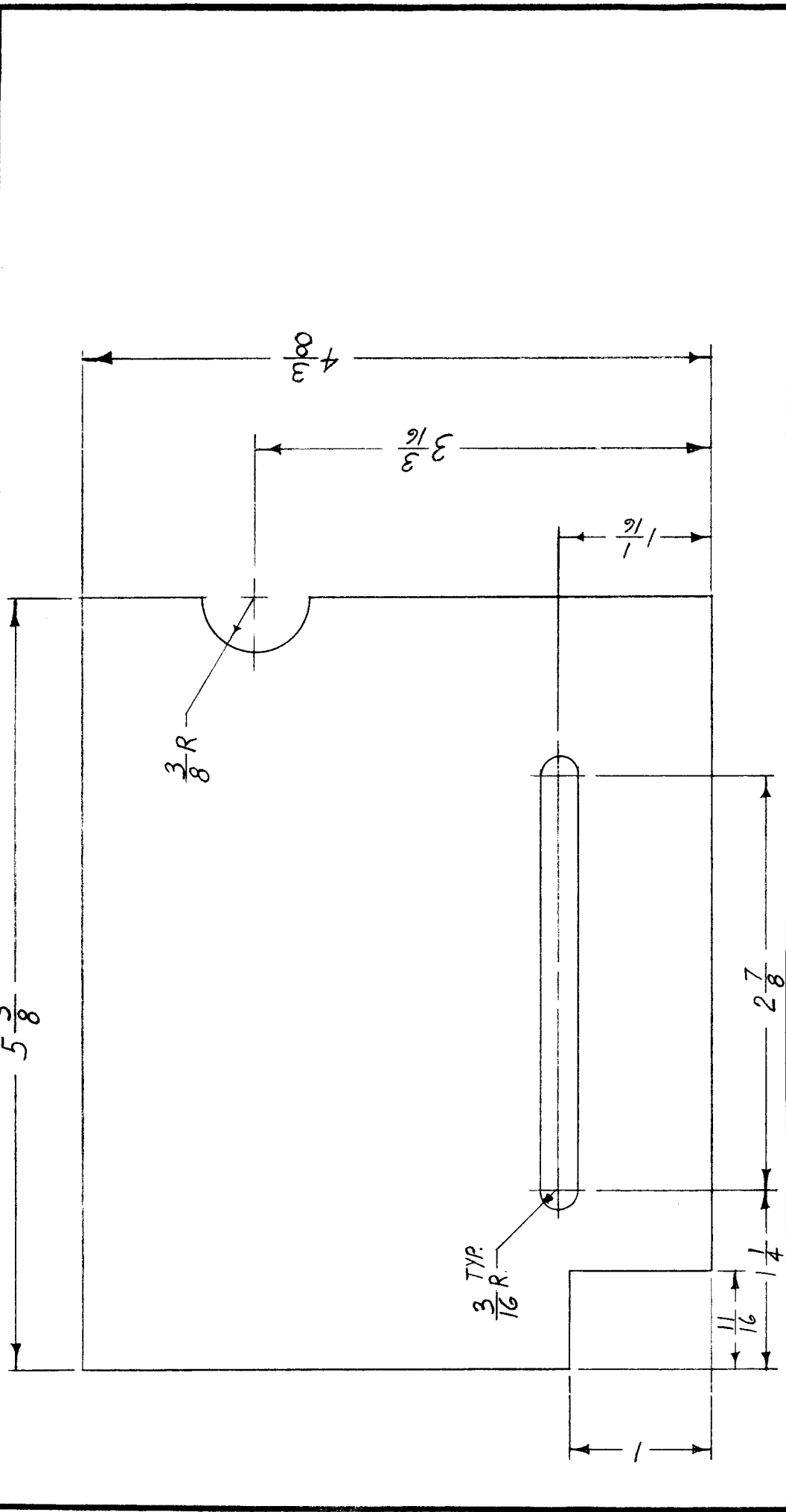


REQ. PER UNIT	1	USED ON	IM-194	A
MODEL	CHG-1	ASST. NO.	OVER/OSC	DATE
				9-14-60



REQ. ITEM	1	ITEM	1/2	PART NO.		DESCRIPTION	THE TECHNICAL MATERIEL CORP. MAMARONECK, NEW YORK	SYMBOL	A
ISSUE ITEM	A	DATE	11-23-60	CH. NO.	3547	DRAFTS	DAF	CHECKER	ENG. APP.
TOLERANCES									
SCALE: FULL									
MAXIMUM ALLOWABLE TOLERANCES HAVE BEEN DETERMINED AND ANY DEVIATIONS WILL BE CAUSE FOR REJECTION. REMOVE ALL BURRS AND SHARP EDGES									
DEC. DIM. ±									
FRAC. DIM. ±	1/64								
ANGULAR DIM. ±									
CHANGED FROM	DIM. 4 3/8 WAS 4 1/2								
TYPE & TEMPER	CELOTEX								
HEAT TREAT. SPEC.									
DRAWN	<i>[Signature]</i>								
CHECKED	<i>[Signature]</i>								
FINISH & SPEC. NO.								ELEC. DES. APP. MECH. DES. APP.	
FINAL APPROVAL								IM-194	