

5

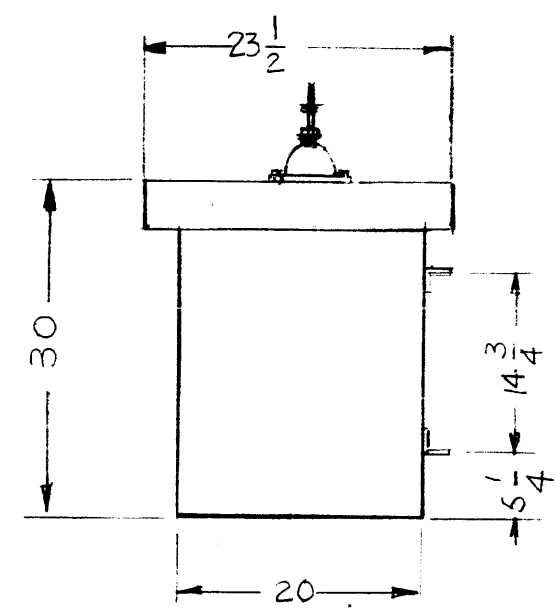
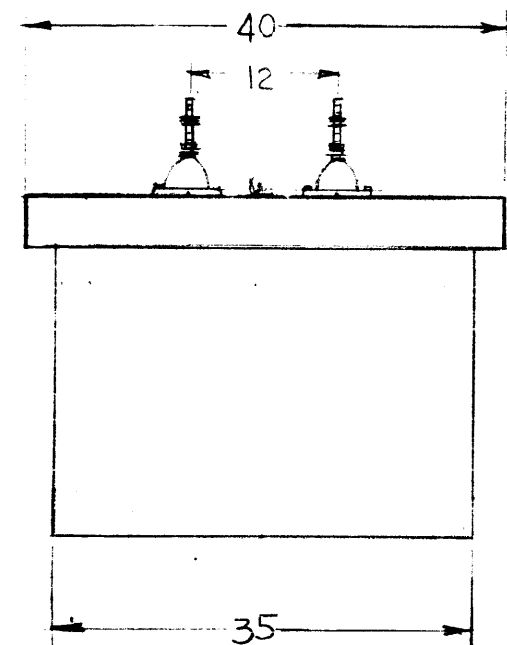
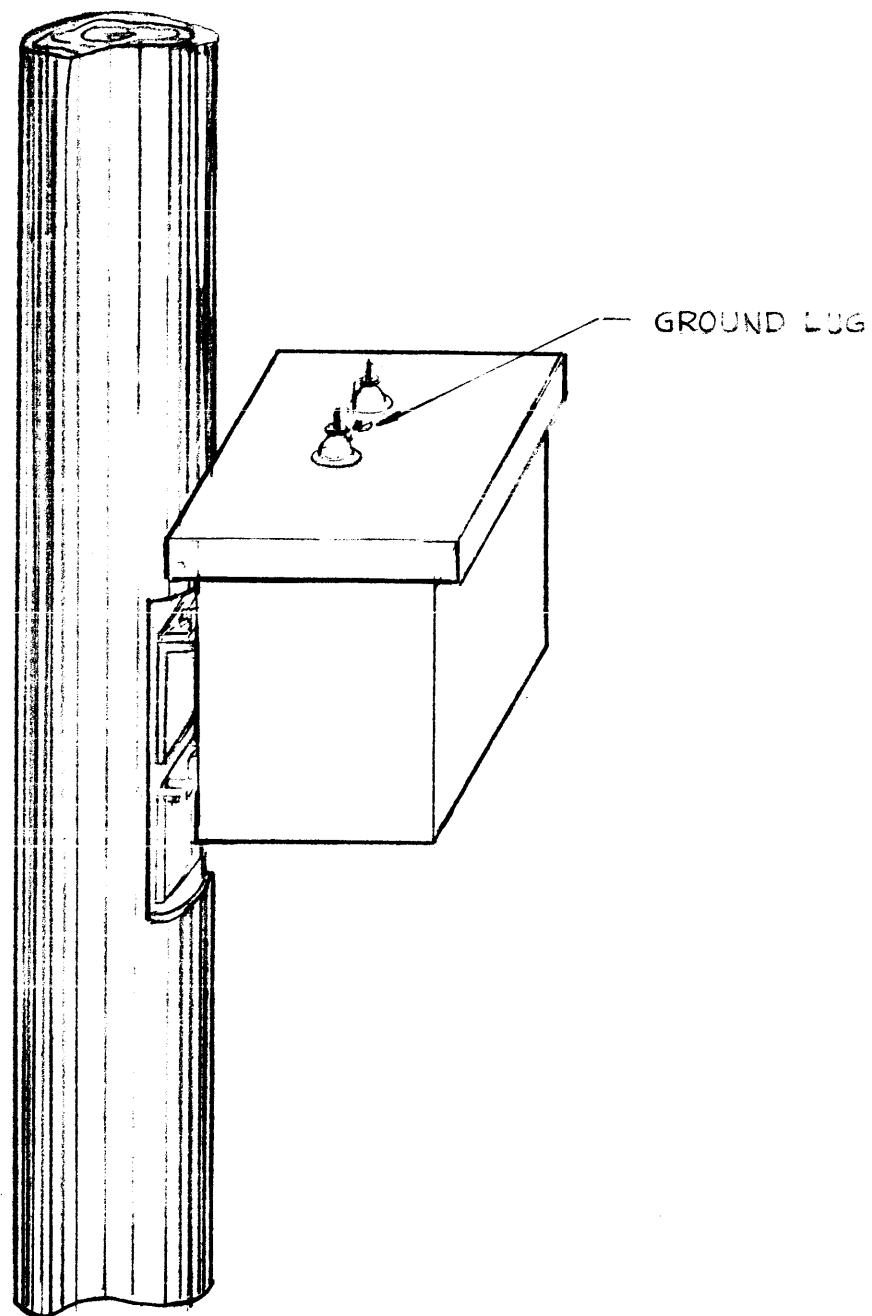
4

3

2

1

REVISIONS							
E.M.N. NO.	DRAFT	CHKD	ZONE	LTR	DESCRIPTION	DATE	APPROVED



TYPICAL POLE MOUNTING

QTY / UNIT	MODEL USED ON	ASS'Y NO.	DECIMALS	FRACTIONS	REQ'D	ITEM	PART NUMBER	DESCRIPTION	SYM.
	TER-4K		.X ± .05	1/64					
			.XX ± .01	TOLS. ANGLES					
			.XXX ± .005	0° - 30'					
APPLICATION			MATERIAL		LIST OF MATERIAL				
CODE			FINISH		THE TECHNICAL MATERIEL CORP. MAMARONECK, NEW YORK				
NOTICE TO PERSONS RECEIVING THIS DRAWING					INSTALLATION TER-4K				
THE TECHNICAL MATERIEL CORPORATION claims proprietary right in the material disclosed hereon. This drawing is issued in confidence for engineering information only and may not be reproduced or used to manufacture anything shown hereon without permission from THE TECHNICAL MATERIEL CORPORATION to the user. This drawing is loaned for mutual assistance and is subject to recall at any time.					DRAWN GDL DATE 3-28-60				
					SIZE B CODE IDENT. NO. 82679 DWG NO. ID 476				
					SCALE SHEET OF				

5

4

3

2

1