

5

4

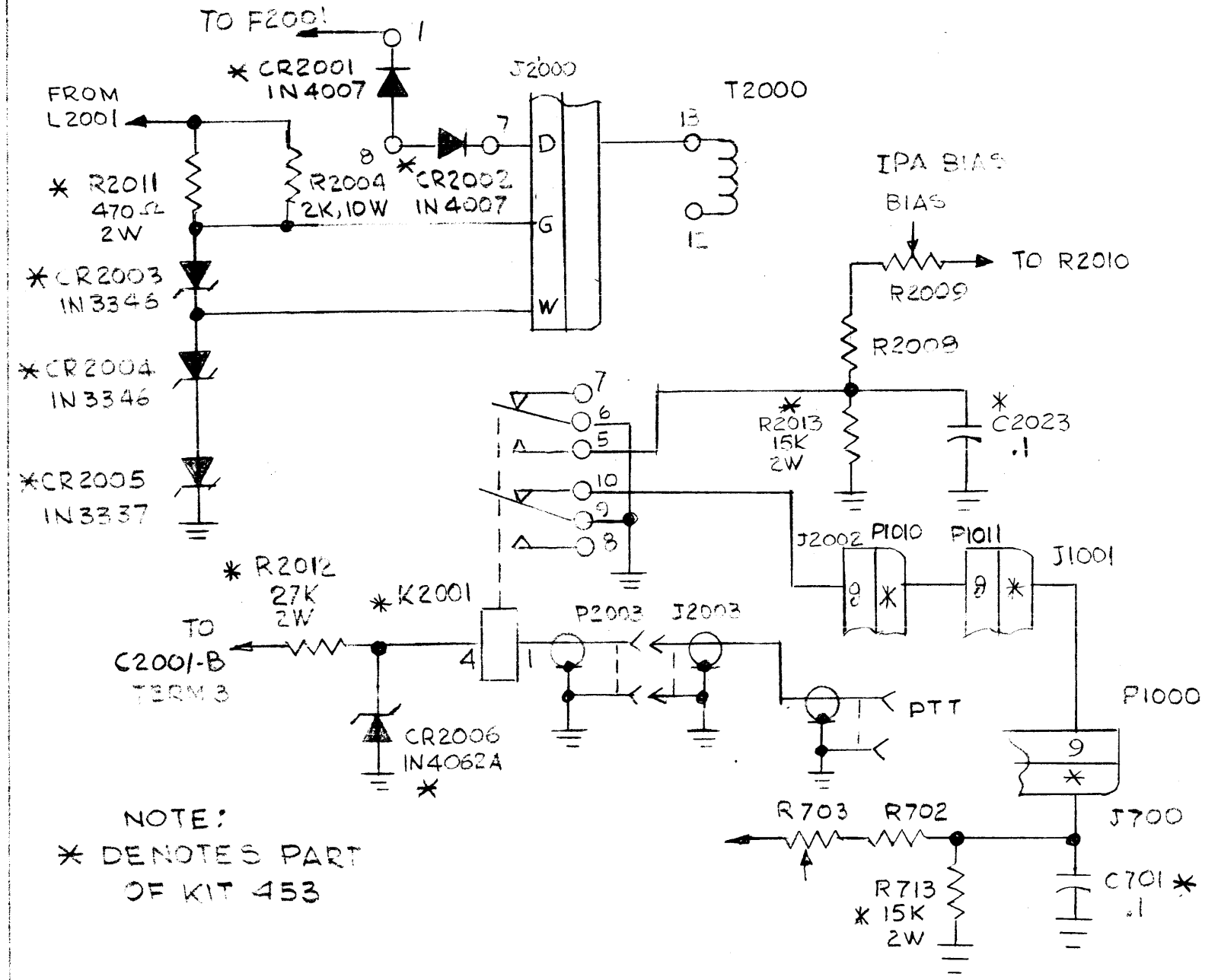
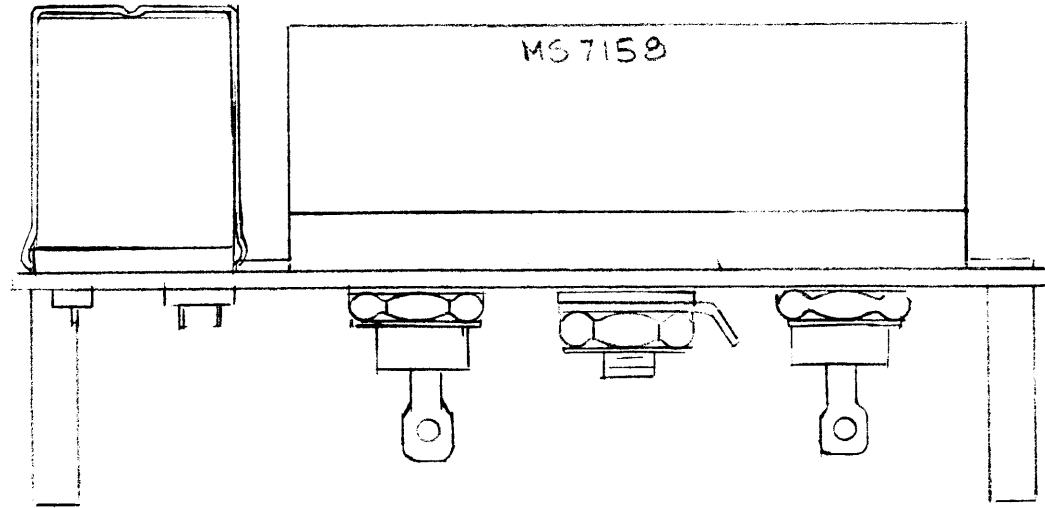
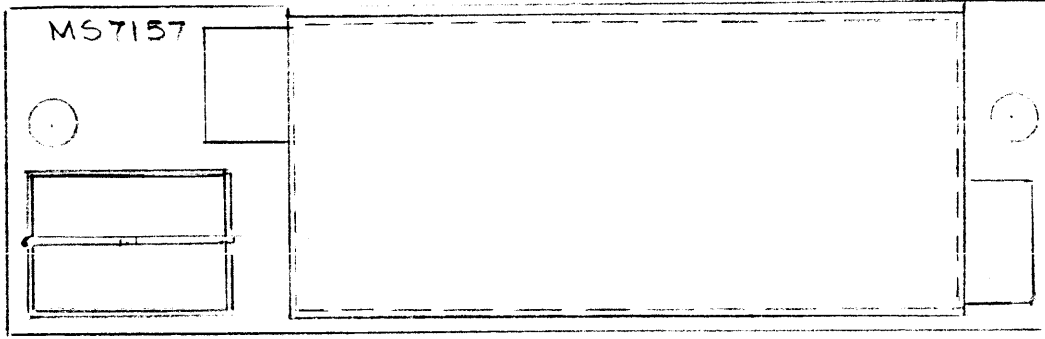
3

2

1

REVISIONS

E.M.N. NO.	DRAFT	CHKD	ZONE	LTR	DESCRIPTION	DATE	APPROVED



NOTE:
* DENOTES PART OF KIT 453

REQ'D	ITEM	PART NUMBER	DESCRIPTION	SYM.
-------	------	-------------	-------------	------

LIST OF MATERIAL

THE TECHNICAL MATERIEL CORP. MAMARONECK, NEW YORK			
KIT 453 (BIAS OFF) GPT-10K (AN/FRT-39)			
SIZE	CODE IDENT. NO.	DWG NO.	ISSUE
B	82679	ID464	X
SCALE	SHEET		OF

AX 104

QTY / UNIT	MODEL USED ON	ASS'Y NO.
APPLICATION		
CODE		
MATERIAL		
FINISH		

NOTICE TO PERSONS RECEIVING THIS DRAWING
THE TECHNICAL MATERIEL CORPORATION claims proprietary right in the material disclosed hereon. This drawing is issued in confidence for engineering information only and may not be reproduced or used to manufacture anything shown hereon without permission from THE TECHNICAL MATERIEL CORPORATION to the user. This drawing is loaned for mutual assistance and is subject to recall at any time.

UNLESS OTHERWISE SPECIFIED DIMENSIONS ARE IN INCHES AND INCLUDE CHEMICALLY APPLIED OR PLATED FINISHES	FINAL APPROVAL	DATE
DECIMALS .X ± .05 .XX ± .01 .XXX ± .005	MECH. DES.	DATE
	ELECT. DES.	DATE
	CHECKED	DATE
FRACTIONS 1/64 ANGLES 0°-30'	DRAWN	DATE
	GDL	3-19-91

5

4

3

2

1