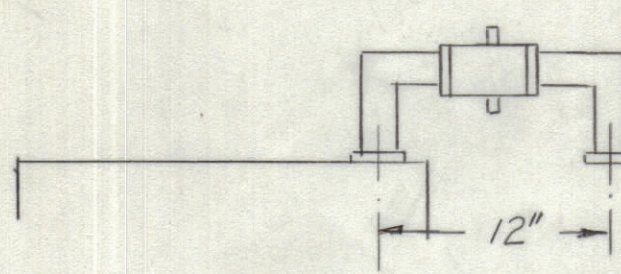
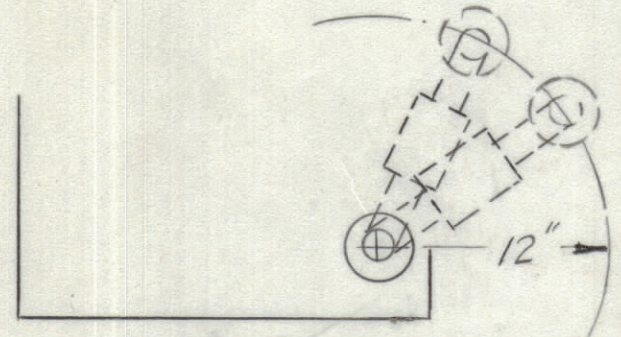
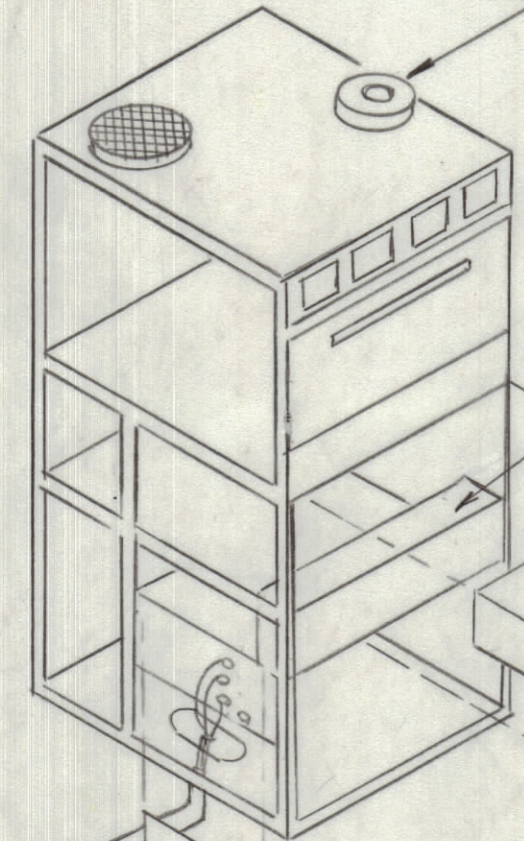


E.M.N.NO		DRAFT	CHKD	ZONE	LTR	REVISIONS		DATE	APPROVED
344						DESCRIPTION		2-16-81	

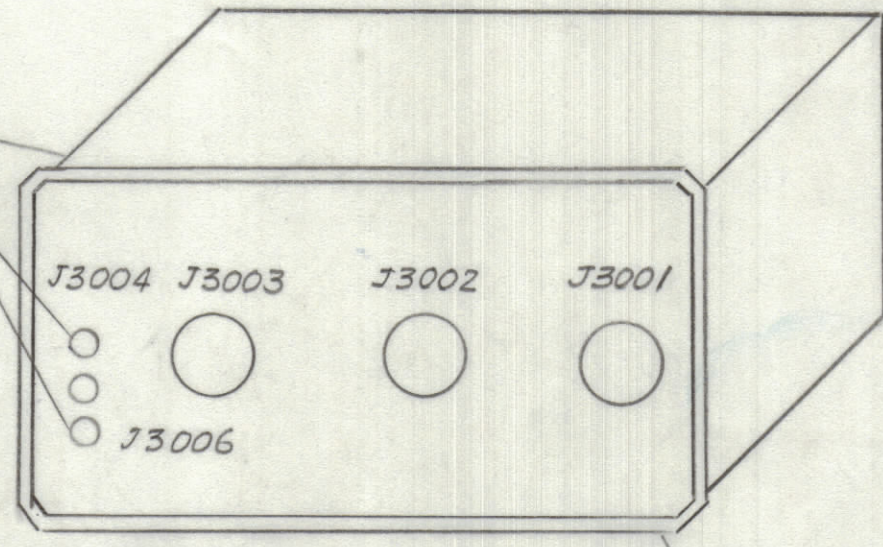
NOTE
CAN BE MOUNTED
DIFFERENT ANGLES



RF OUTPUT
1 5/8 EIA (50Ω)



TYP N
CONNECTOR
(RF IN OUT)

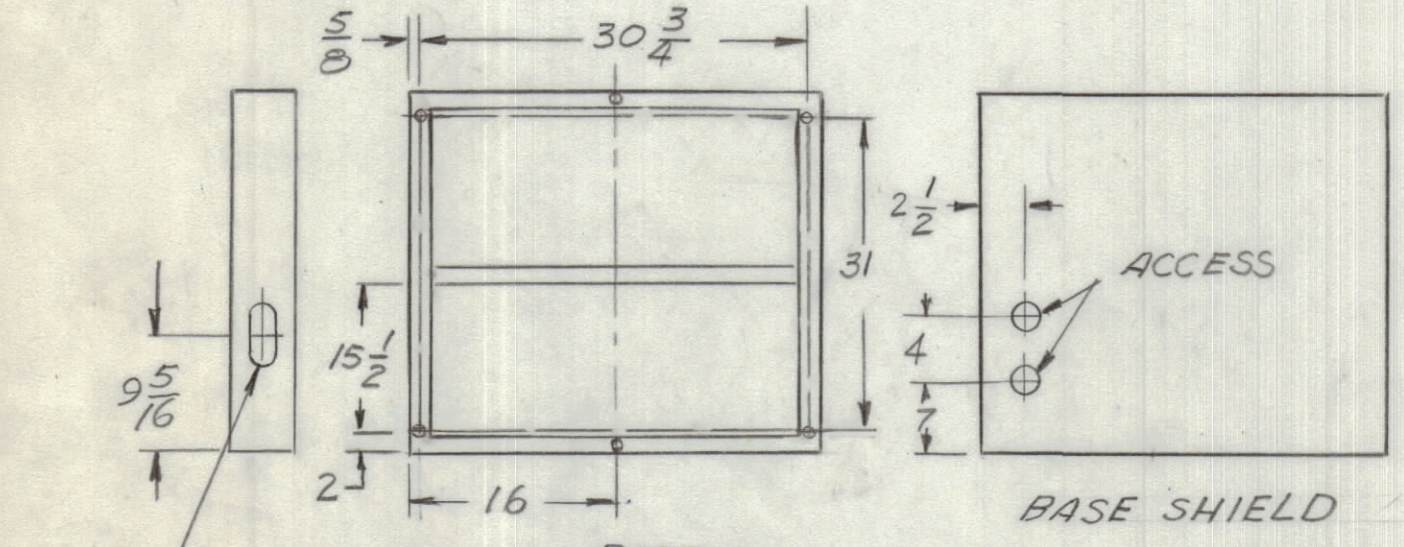
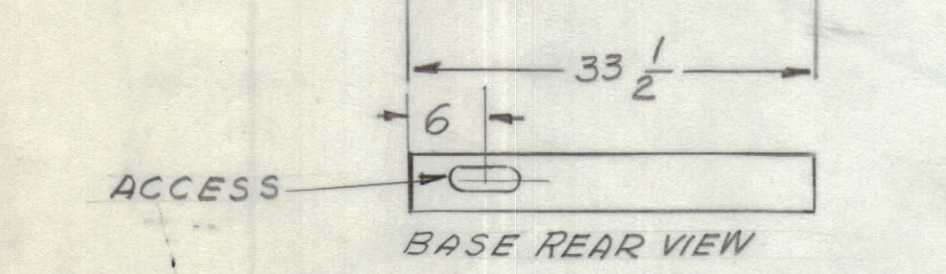
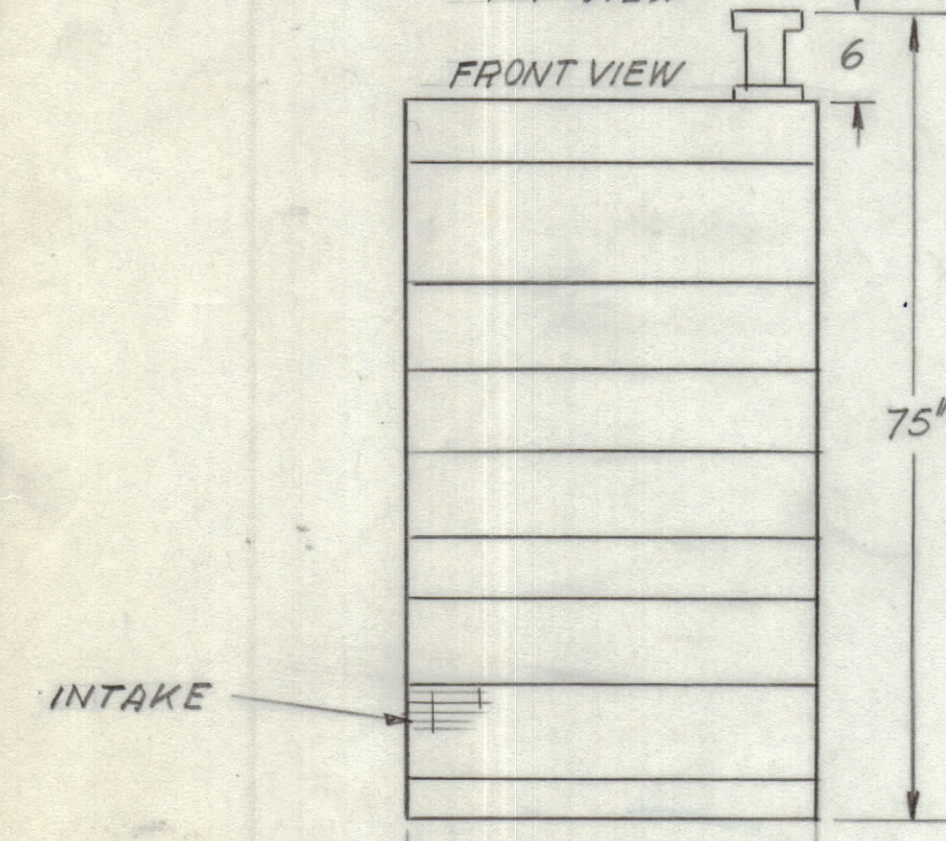
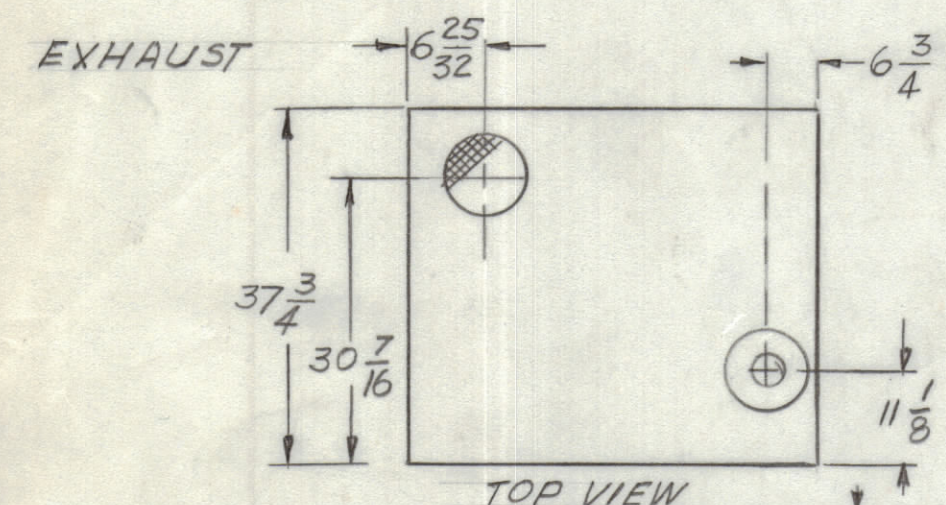


CABLE FOR J3001 MS-3106A32-7P		
PIN	CONDUTORS	FUNCTION
e	CNDCTR(I)	ALDC
s	SHED	

TO POWER
220 VAC

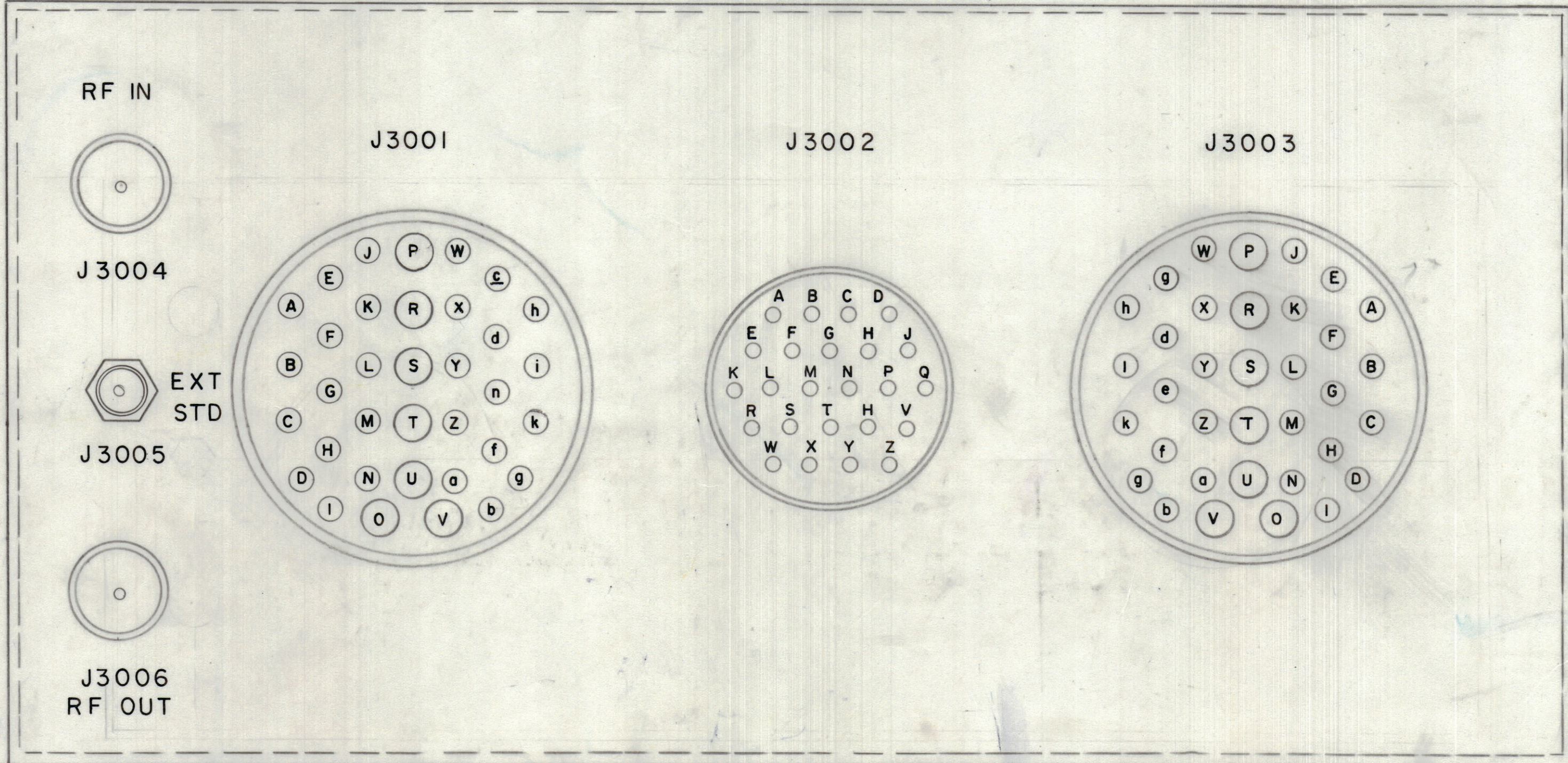
AC INPUT
3φ

AC GROUND



ACCESS
SYMETRICAL
BOTH
SIDES

BASE
TREADED MTG TO FRAME



EXTERNAL TRANSMITTER CONTROL CONNECTIONS

- NOTE: WHEN OPERATING TRANSMITTER, THE CONNECTION LISTED BELOW MUST BE MADE TO ENABLE TRANSMITTER OPERATION. (IF CONTROLS ARE NOT DESIRED TO BE OPERATED REMOTELY).
- CONNECT JUMPER FROM PIN "P" TO PIN "R" ON J3002 (PTT).
 - CONNECT JUMPER FROM PIN "L" TO PIN "N" ON J3002 (EXTERNAL INTERLOCKS, COM.-N.O.).
 - CONNECT JUMPER FROM PIN "Y" TO PIN "S" ON J3003 (HIGH VOLTAGE ON/OFF GROUND).
 - CONNECT JUMPER FROM PIN "H" TO PIN "D" ON J3003 (OVERLOAD RESET).

AUDIO INTELLIGENCE KEY LINES ETC. FOR EXCITER MMX ENTER THE TRANSMITTER THRU P/O J3001

- J3001
- PIN f EXC PTT
 - PIN k EXC PTT
 - PIN m USB 600
 - PIN t SHIELD
 - PIN n USB 600
 - PIN g LSB 600
 - PIN v SHIELD
 - PIN b LSB 600
 - PIN u KEY
 - PIN a KEY
 - PIN z FSK -
 - PIN o SHIELD
 - PIN y FSK +
 - PIN p FAX (SHIELD)
 - PIN w FAX
 - PIN r CONTACT KEYING (SHIELD)
 - PIN x CONTACT KEYING

CONNECTIONS FOR REMOTE PATCH PANEL ETC.

- RF PATCHING
THE REMOTE RF PATCH PANEL IS CONNECTED TO J3004 "RF IN" AND J3006 "RF OUT".
- ALDC PATCHING
THE REMOTE ALDC PATCH PANEL IS CONNECTED TO PIN "L" AND "e" OF J3001.
- EXTERNAL TMC STANDARD
IF EXTERNAL TMC STANDARD IS USED THE CONNECTION HAS TO BE MADE TO J3005 "EXT STD" S108 IN BACK OF MMX ("EXT INT" STANDARD SWITCH) HAS TO BE IN "EXT" POSITION.
- NOTE: CONNECT P1001 IN DRIVER DRAWER TO J1005 "REM." TO ENABLE RF PATCHING.

- J3002
- PIN A N.O.
 - PIN B COM
 - PIN C N.C. - RCVR MUTE
 - PIN D REMOTE METER COIL (GND HAS TO BE SUPPLIED BY REMOTE PATCH PANEL)
 - PIN E FORWARD POWER - CONTROLLED BY REMOTE METER RELAY
 - PIN F REFLECTED POWER
 - PIN P XMTR PTT - OPERATES PTT RELAY LOCATED IN DRIVER DRAWER
 - PIN R XMTR PTT (GND)
 - PIN L COM
 - PIN M N.C. - EXTERNAL INTERLOCK
 - PIN N N.O.

- NOTE: THE CONNECTION LISTED BELOW MUST BE MADE IF REMOTE PATCH PANEL IS NOT USED TO ENABLE RF DRIVE AND ALDC OPERATION.
- CONNECT JUMPER FROM PIN "L" TO PIN "e" ON J3001 (ALDC).
 - CONNECT P1001 IN THE DRIVER DRAWER TO J1006 "LOC".

QTY. REQ.	ITEM	PART NO.	DESCRIPTION	SYMBOL
LIST OF MATERIAL				
FINAL APPROVAL		DATE		
MECH. DES.		DATE 2-17-81		
ELECT. DES.		DATE		
CHECKED		DATE		
DRAWN GDL		DATE 1-30-81		
MATERIAL				
FINISH				
THE TECHNICAL MATERIEL CORP. MAMARONECK, NEW YORK		HFL-10K Rev B, INSTALLATION DRAWING		
SIZE CODE IDENT NO. DWG NO.		D 82679 ID 449		
SCALE		SHEET OF		

QTY / UNIT	MODEL USED ON	ASSY NO.
APPLICATION		
CODE		
NOTICE TO PERSONS RECEIVING THIS DRAWING THE TECHNICAL MATERIEL CORPORATION claims proprietary right in the material disclosed hereon. This drawing is issued in confidence for engineering information only and may not be reproduced or used to manufacture anything shown hereon without permission from THE TECHNICAL MATERIEL CORPORATION to the user. This drawing is loaned for mutual assistance and is subject to recall at any time.		

UNLESS OTHERWISE SPECIFIED
DIMENSIONS ARE IN INCHES
AND INCLUDE CHEMICALLY APPLIED
OR PLATED FINISHES

TOLERANCES ON

DECIMALS	FRACTIONS
.X ± .05	± 1/64
.XX ± .01	ANGLES
.XXX ± .005	± 0° -30'