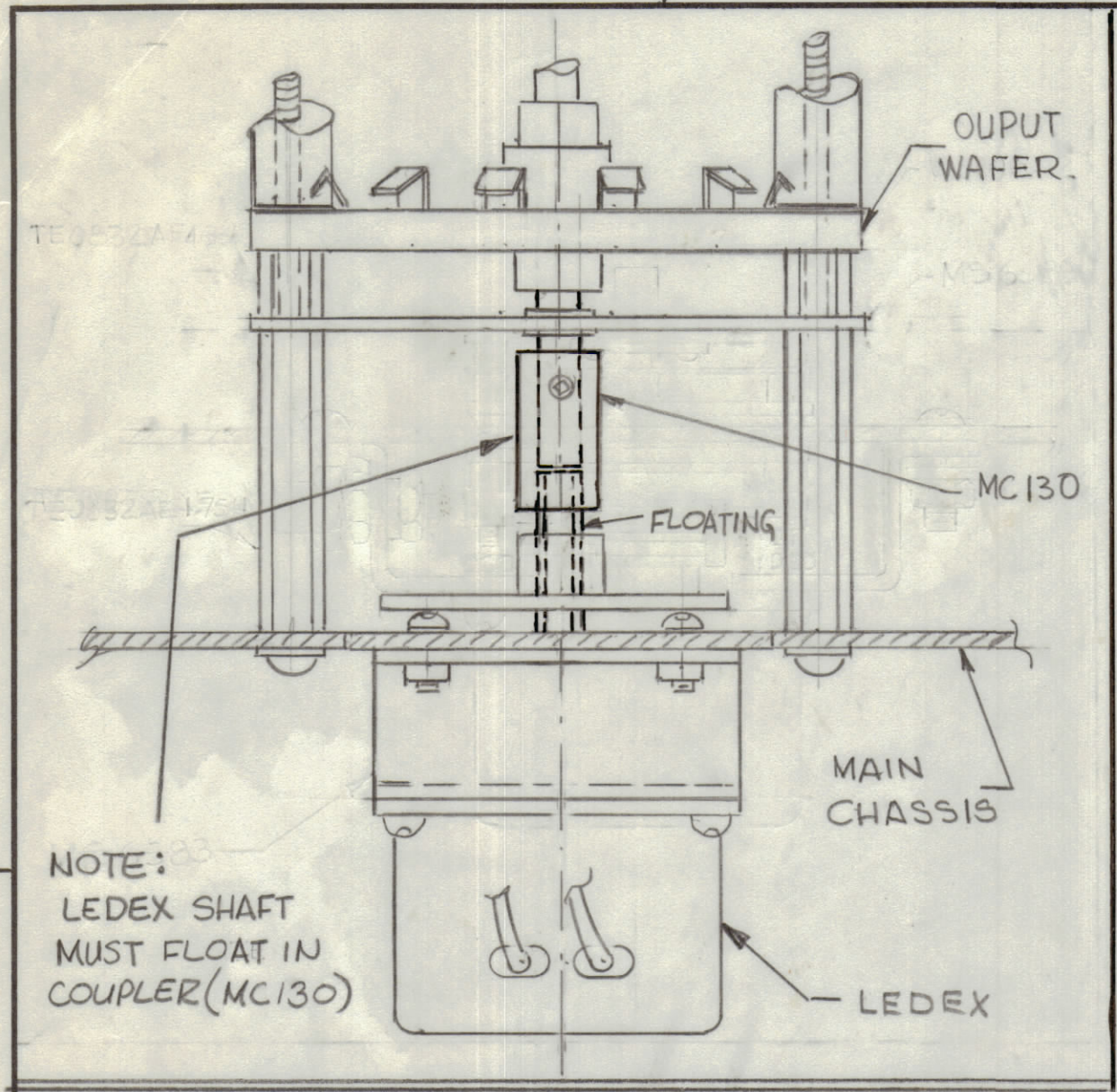
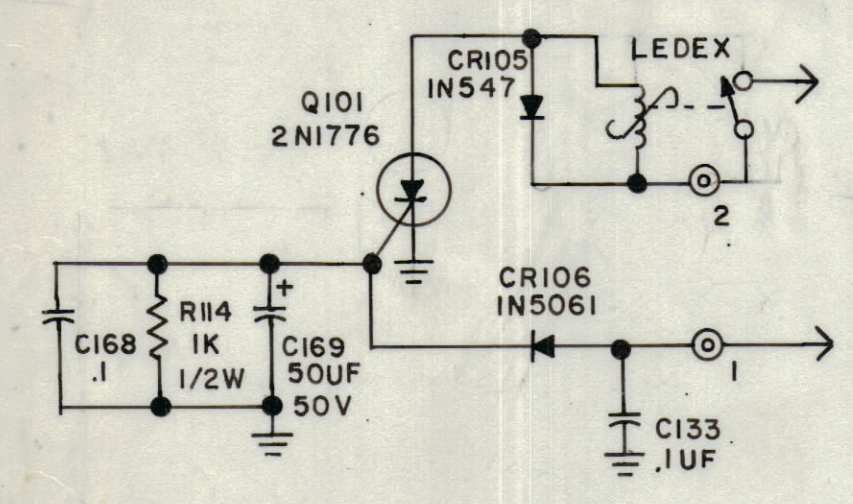
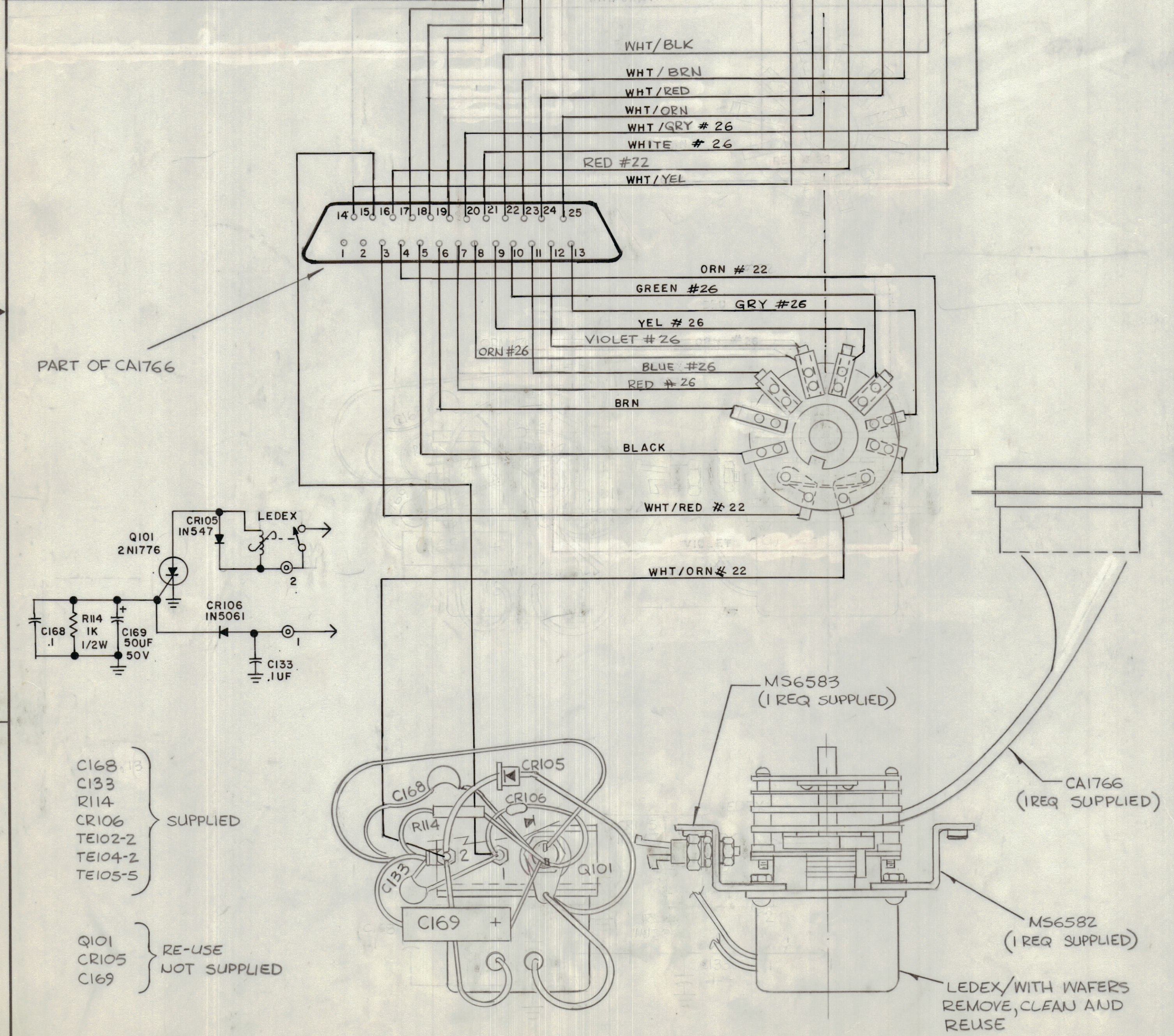


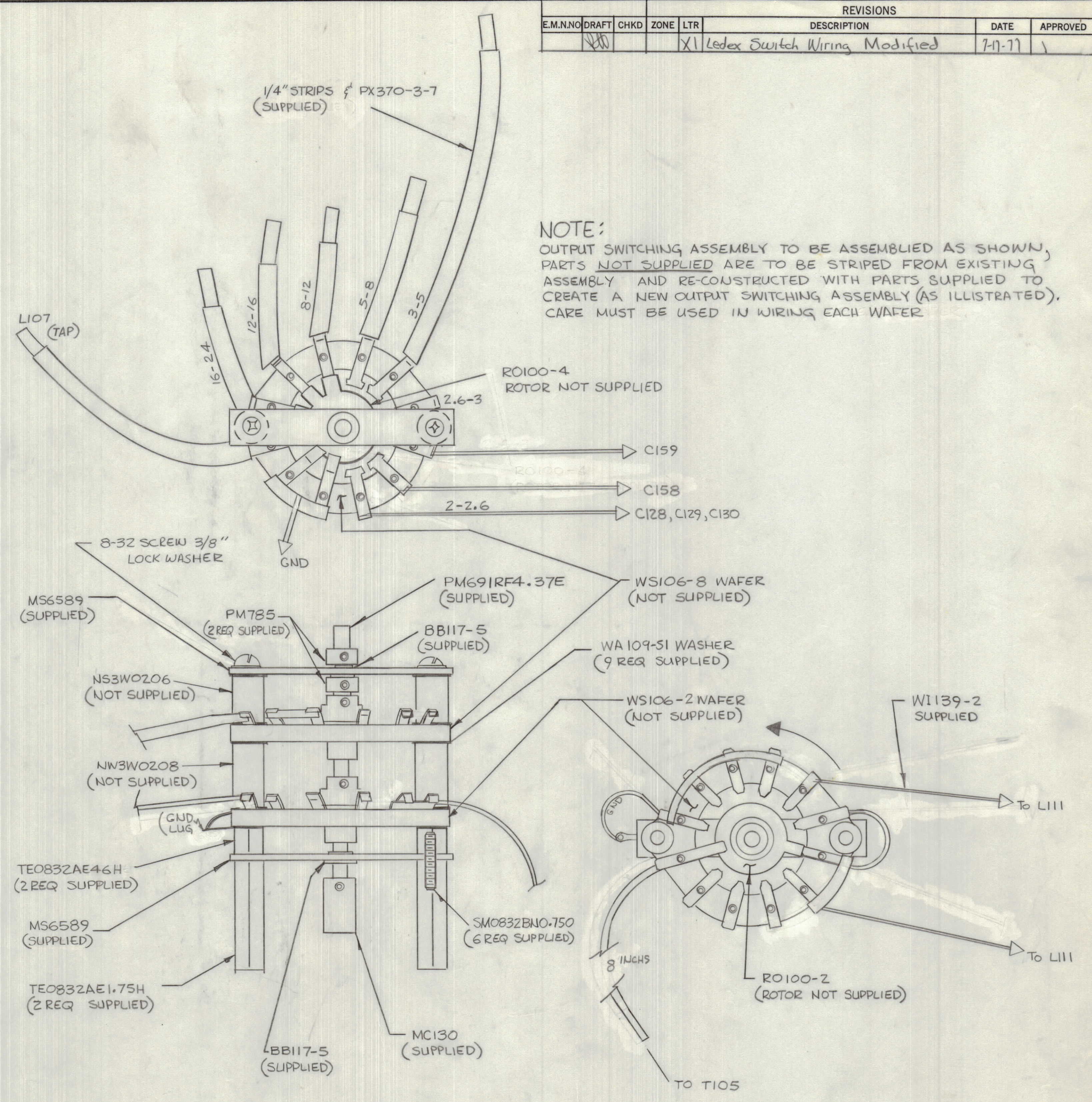
REVISIONS							
E.M.NNO	DRAFT	CHKD	ZONE	LTR	DESCRIPTION	DATE	APPROVED
					XI Ledex Switch Wiring Modified	7-17-77	



NOTE:
WIRE WAFERS AS SHOWN, USING
CA1766. BEFORE WIRING CLEAN
AND INSPECT ALL COMPONENTS
FOR DAMAGE.



- C168, C133, R114, CR106, TE102-2, TE104-2, TE105-5 } SUPPLIED
- Q101, CR105, C169 } RE-USE NOT SUPPLIED

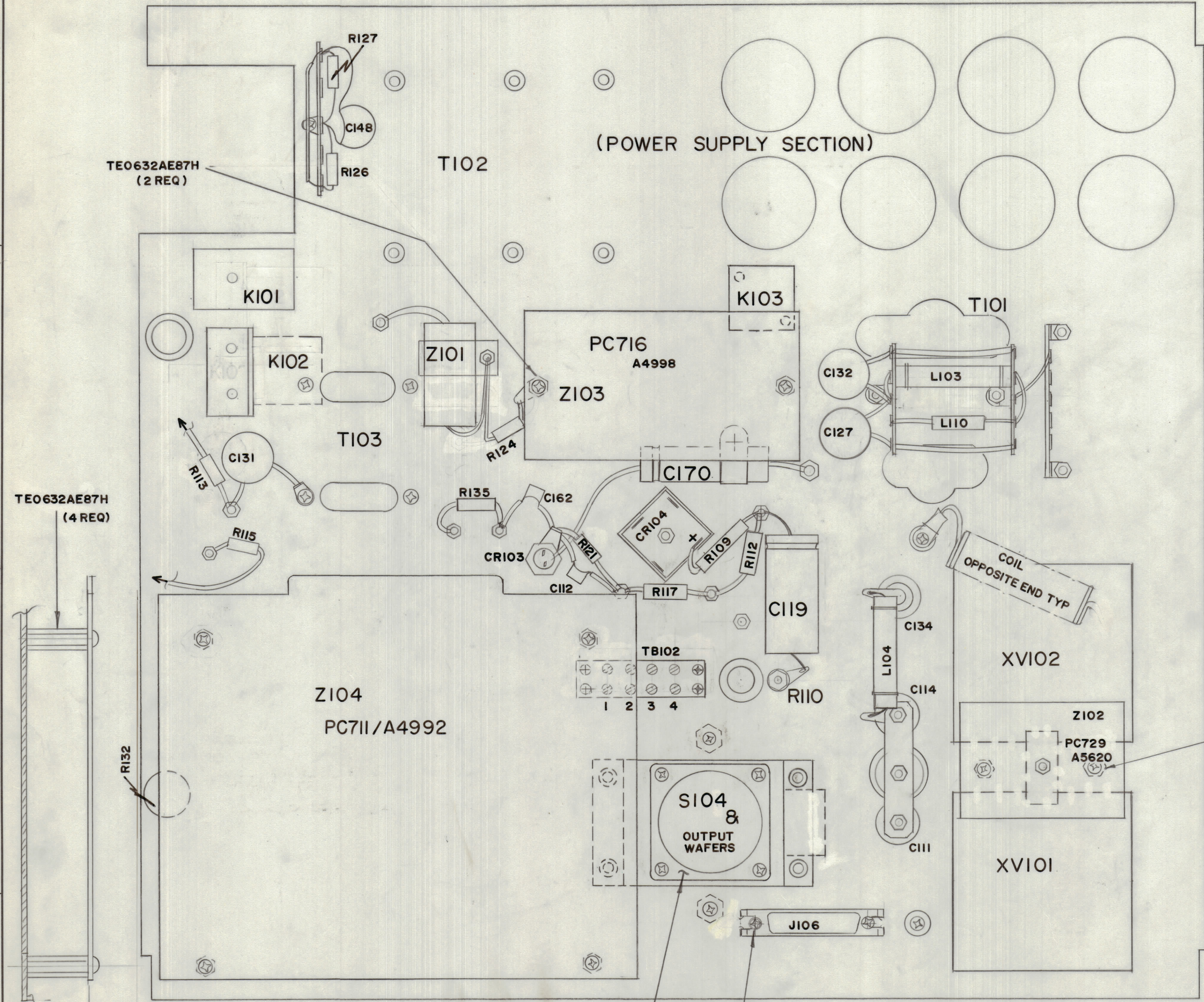


NOTE:
OUTPUT SWITCHING ASSEMBLY TO BE ASSEMBLED AS SHOWN,
PARTS NOT SUPPLIED ARE TO BE STRIPPED FROM EXISTING
ASSEMBLY AND RE-CONSTRUCTED WITH PARTS SUPPLIED TO
CREATE A NEW OUTPUT SWITCHING ASSEMBLY (AS ILLUSTRATED).
CARE MUST BE USED IN WIRING EACH WAFER

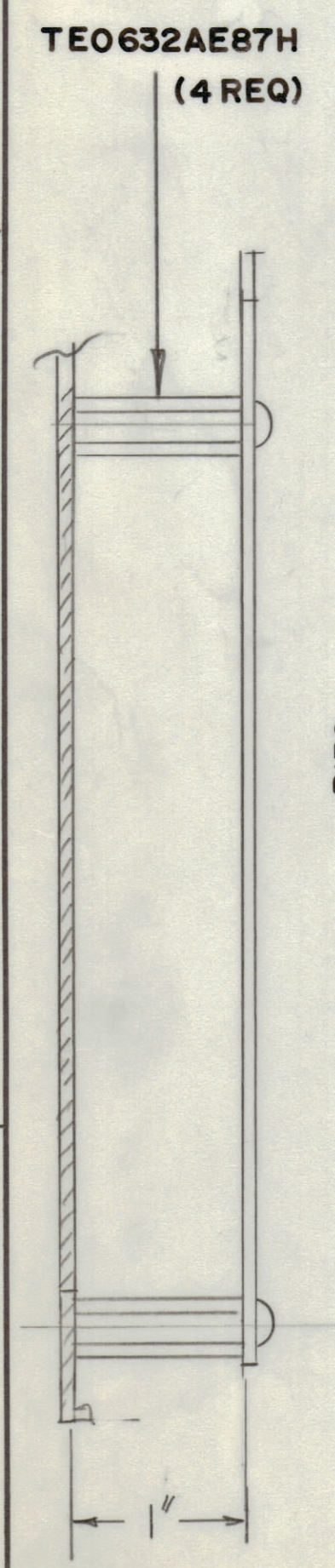
QTY. REQ.	ITEM	PART NO.	DESCRIPTION	SYMBOL
LIST OF MATERIAL				
FINAL APPROVAL		DATE		
MECH. DES.		DATE		
ELECT. DES.		DATE		
CHECKED		DATE		
DRAWN		DATE		
R. UZZO		5-10-77		
MATERIAL		FINISH		
SIZE		CODE	IDENT NO.	DWG NO.
D		82679	ID439	XI
SCALE		SHEET 2 OF		

QTY / UNIT	MODEL USED ON	ASS'Y NO.
APPLICATION		
CODE		

NOTICE TO PERSONS RECEIVING THIS DRAWING
THE TECHNICAL MATERIEL CORPORATION claims proprietary right in the material disclosed hereon.
This drawing is issued in confidence for engineering information only and may not be reproduced or used
to manufacture anything shown hereon without permission from THE TECHNICAL MATERIEL CORPORATION
to the user. This drawing is loaned for mutual assistance and is subject to recall at any time.



NOTE:
 THIS DRAWING REPRESENTS A PARTIAL VIEW OF THE CHASSIS BOTTOM. ALL REVISED COMPONENT PLACEMENTS ARE SHOWN. ALL NEW COMPONENT PLACEMENTS ARE ALSO SHOWN ALONG WITH SOME EXISTING COMPONENTS. THE SYMBOLS SHOWN REPRESENT THE SYMBOLS SHOWN ON DRAWING CK2075 (SUPPLIED).



TE0440AE87H (2 REQ)

SEE ID439-SHEET 2

TE0632AE48H (2 REQ)

QTY / UNIT	MODEL USED ON APPLICATION	ASS'Y NO.
CODE		
NOTICE TO PERSONS RECEIVING THIS DRAWING		
<small>THE TECHNICAL MATERIEL CORPORATION claims proprietary right in the material disclosed hereon. This drawing is issued in confidence for engineering information only and may not be reproduced or used to manufacture anything shown hereon without permission from THE TECHNICAL MATERIEL CORPORATION to the user. This drawing is loaned for mutual assistance and is subject to recall at any time.</small>		

QTY. REQ.	ITEM	PART NO.	DESCRIPTION	SYMBOL
LIST OF MATERIAL				
THE TECHNICAL MATERIEL CORP. MAMARONECK, NEW YORK				
COMPONENT LOCATIONS CHASSIS BOTTOM VIEW				
MATERIAL			SIZE	CODE IDENT NO. DWG NO.
FINISH			D	82679 ID439
			SCALE	SHEET 4 OF