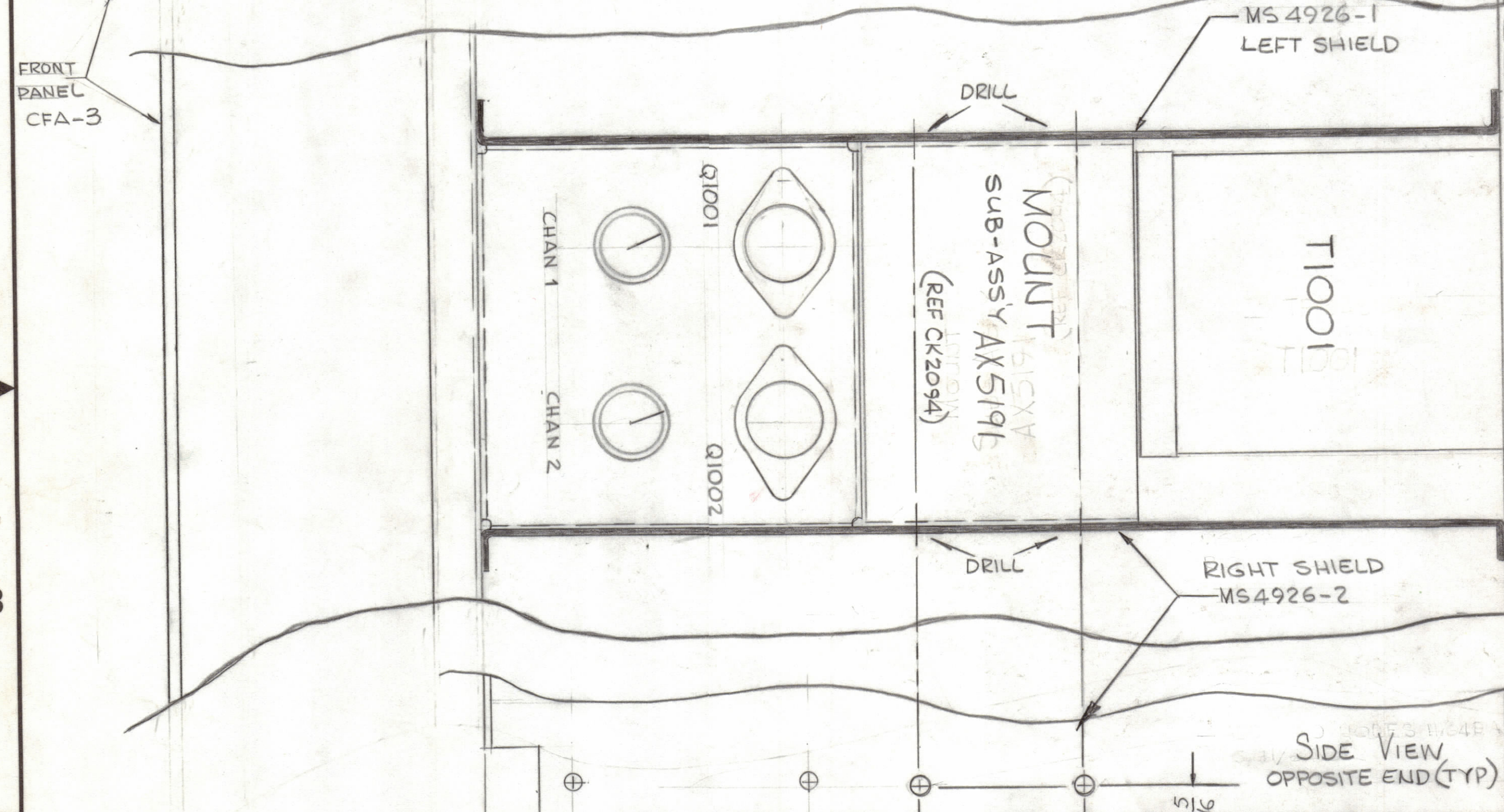
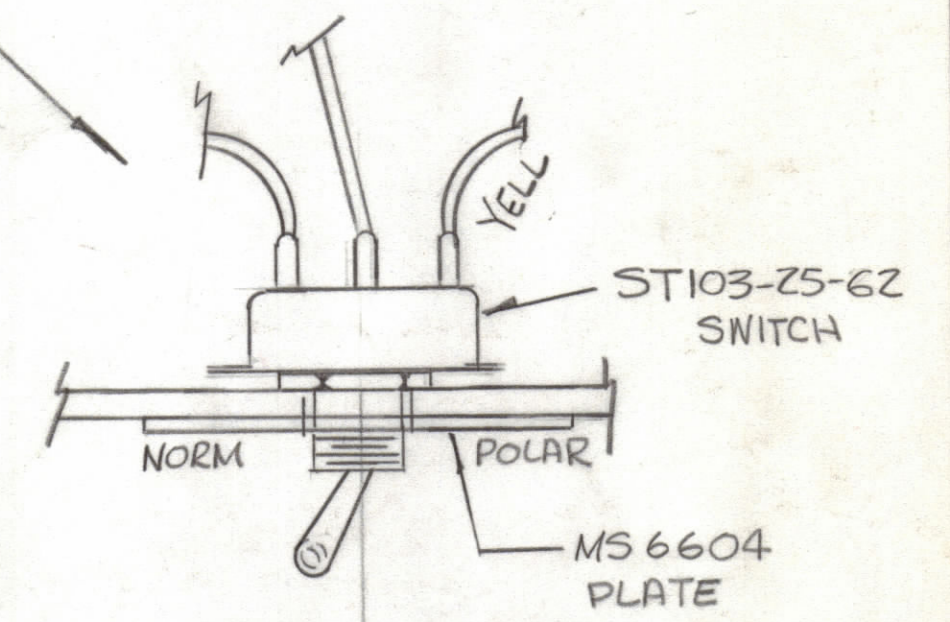
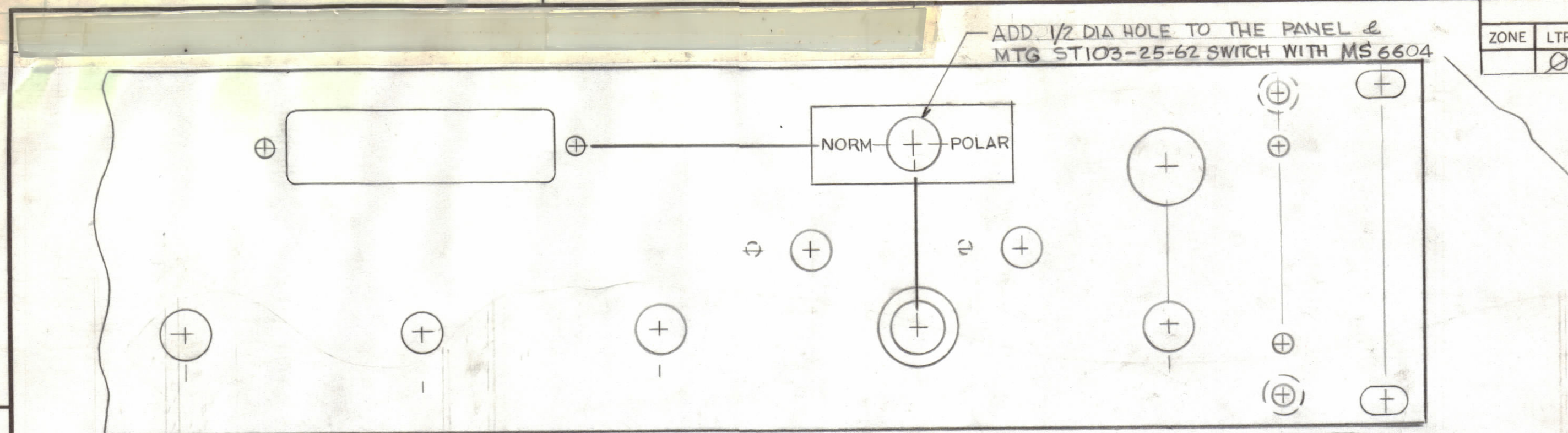


REVISIONS						
ZONE	LTR	DESCRIPTION	DATE	E.M.N.NO	DRAFT	CHKD APPD
	Ø	ORIGINAL RELEASE FOR PRODUCTION	3/4/75		Q	



ADD TWO(2) 11/64 DIA HOLES RIGHT SHIELD  
ADD TWO(2) 11/64 DIA HOLES LEFT SHIELD

QTY. REQ.	ITEM	PART NO.	DESCRIPTION	SYMBOL
LIST OF MATERIAL				

FINAL APPROVAL <i>OB</i>	DATE 3/4/75
MECH. DES.	DATE
ELECT. DES.	DATE
CHECKED <i>R Uzzo</i>	DATE 3-4-75
DRAWN <i>JD</i>	DATE

THE TECHNICAL MATERIEL CORP.  
MAMARONECK, NEW YORK

INSTALLATION,  
(KIT 403 MOUNTING)

KIT 403		
QTY / UNIT	MODEL USED ON	ASS'Y NO.
APPLICATION		
CODE		

MATERIAL	
FINISH	

SIZE	CODE	IDENT. NO.	DWG NO.	ISSUE
C	82679	ID426		Ø
SCALE		SHEET	OF	

NOTICE TO PERSONS RECEIVING THIS DRAWING  
THE TECHNICAL MATERIEL CORPORATION claims proprietary right in the material disclosed hereon. This drawing is issued in confidence for engineering information only and may not be reproduced or used to manufacture anything shown hereon without permission from THE TECHNICAL MATERIEL CORPORATION to the user. This drawing is loaned for mutual assistance and is subject to recall at any time.

A

B

C

D

ID 426