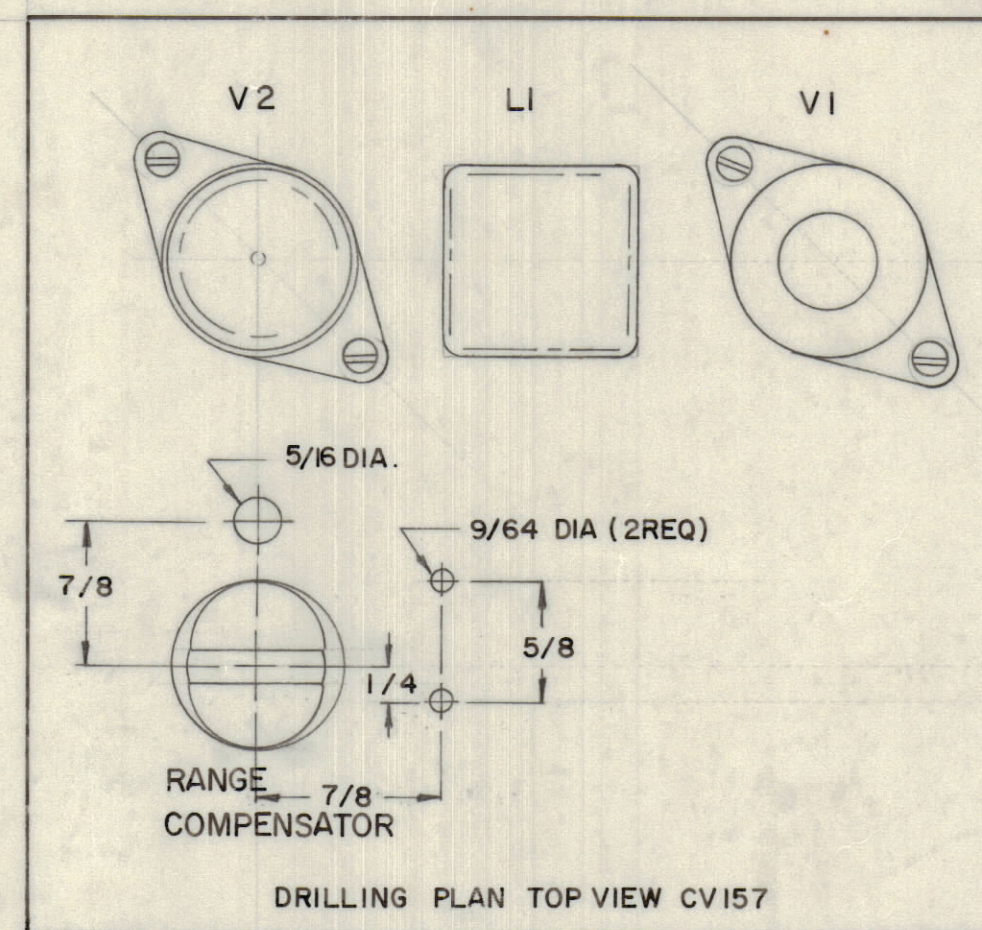
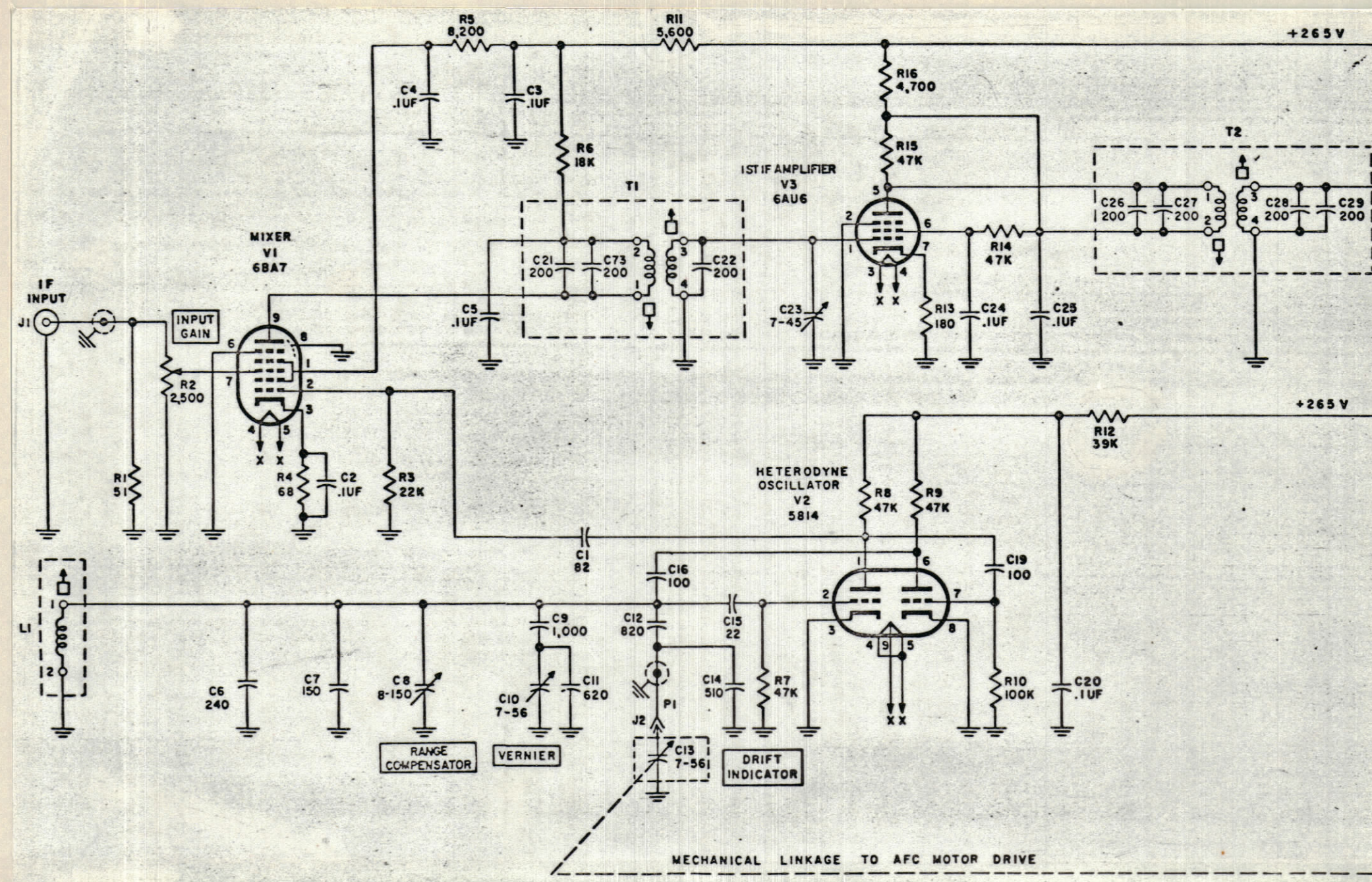
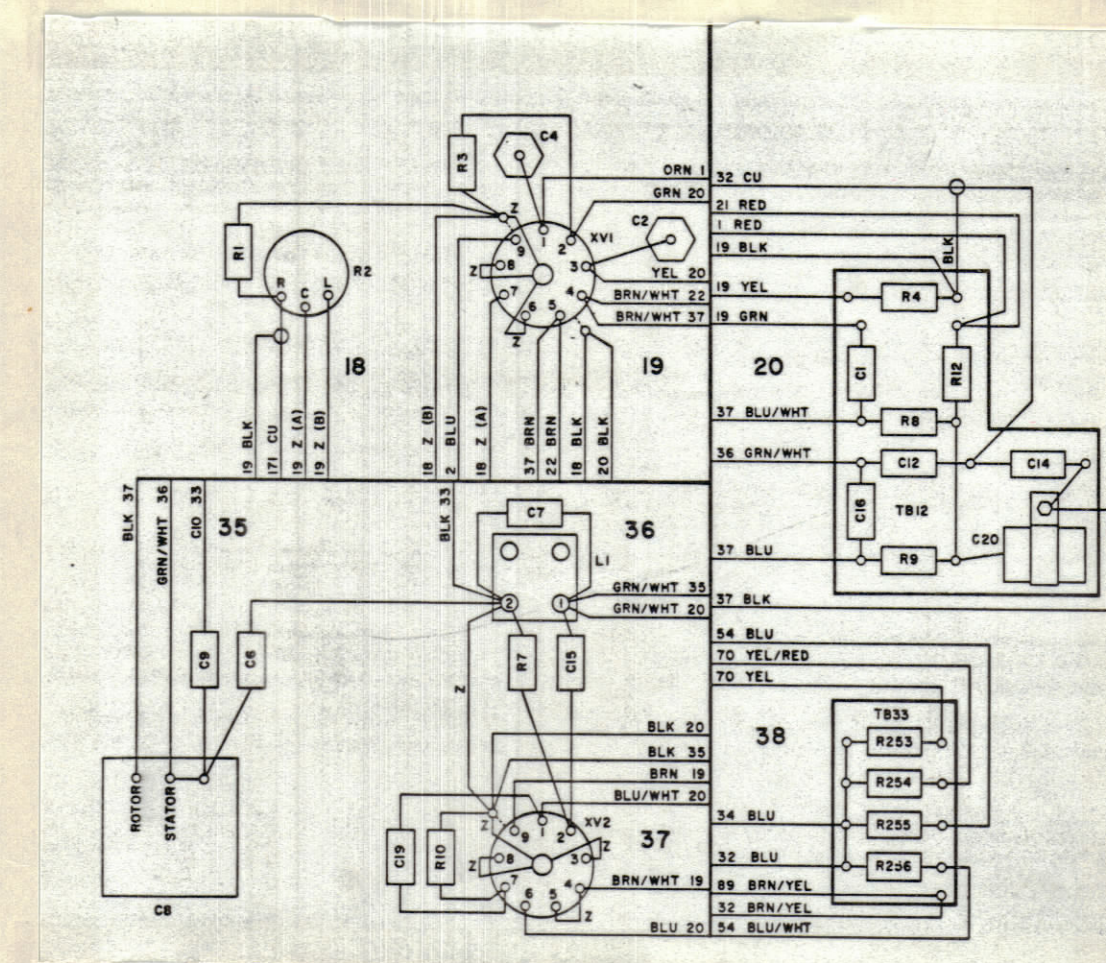


REVISIONS					
E.M.N.O	DRAFT	CHKD	ZONE	LTR	
	2				
DESCRIPTION				DATE	APPROVED
ORIGINAL RELEASE FOR PRODUCTION				3/29/73	

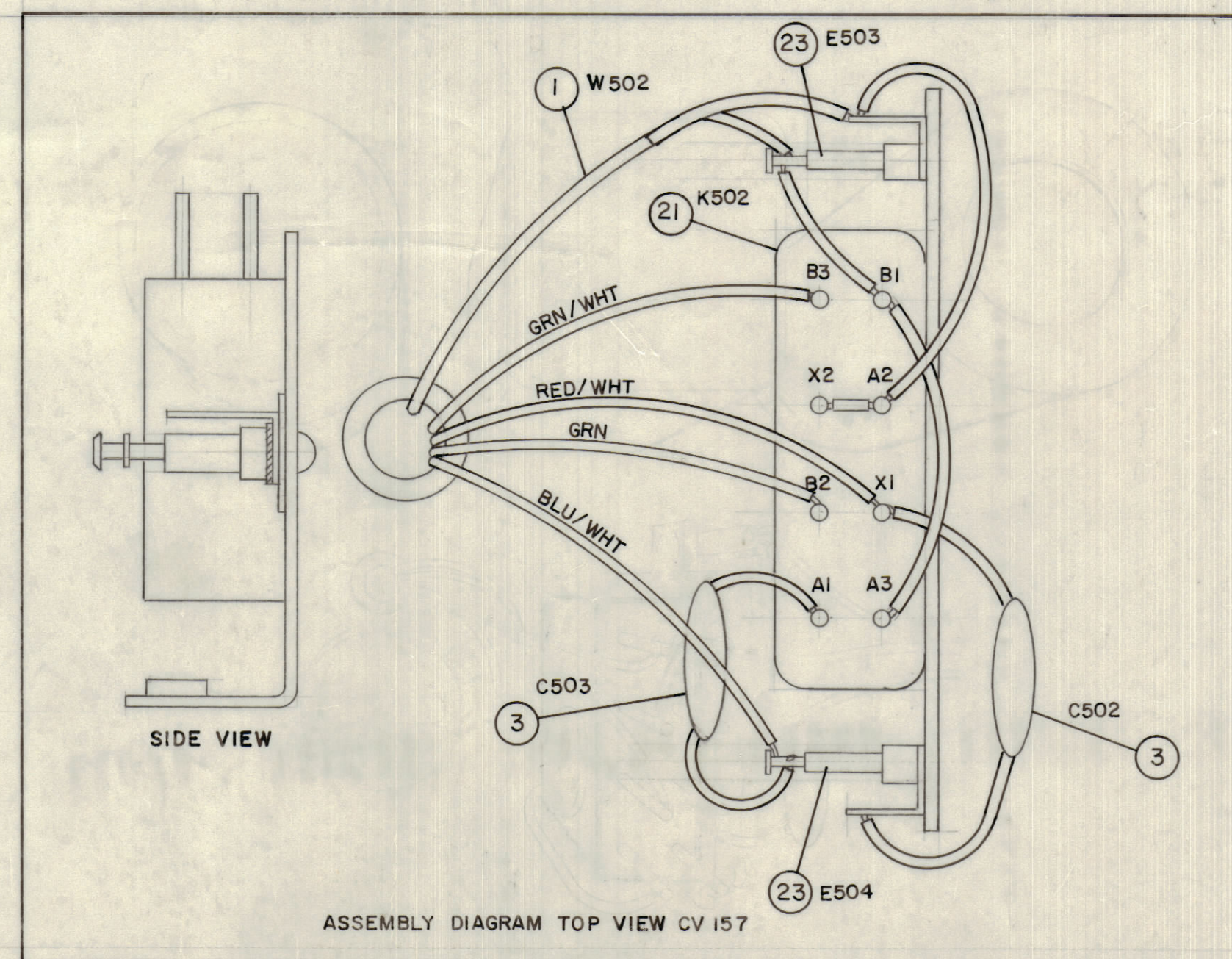
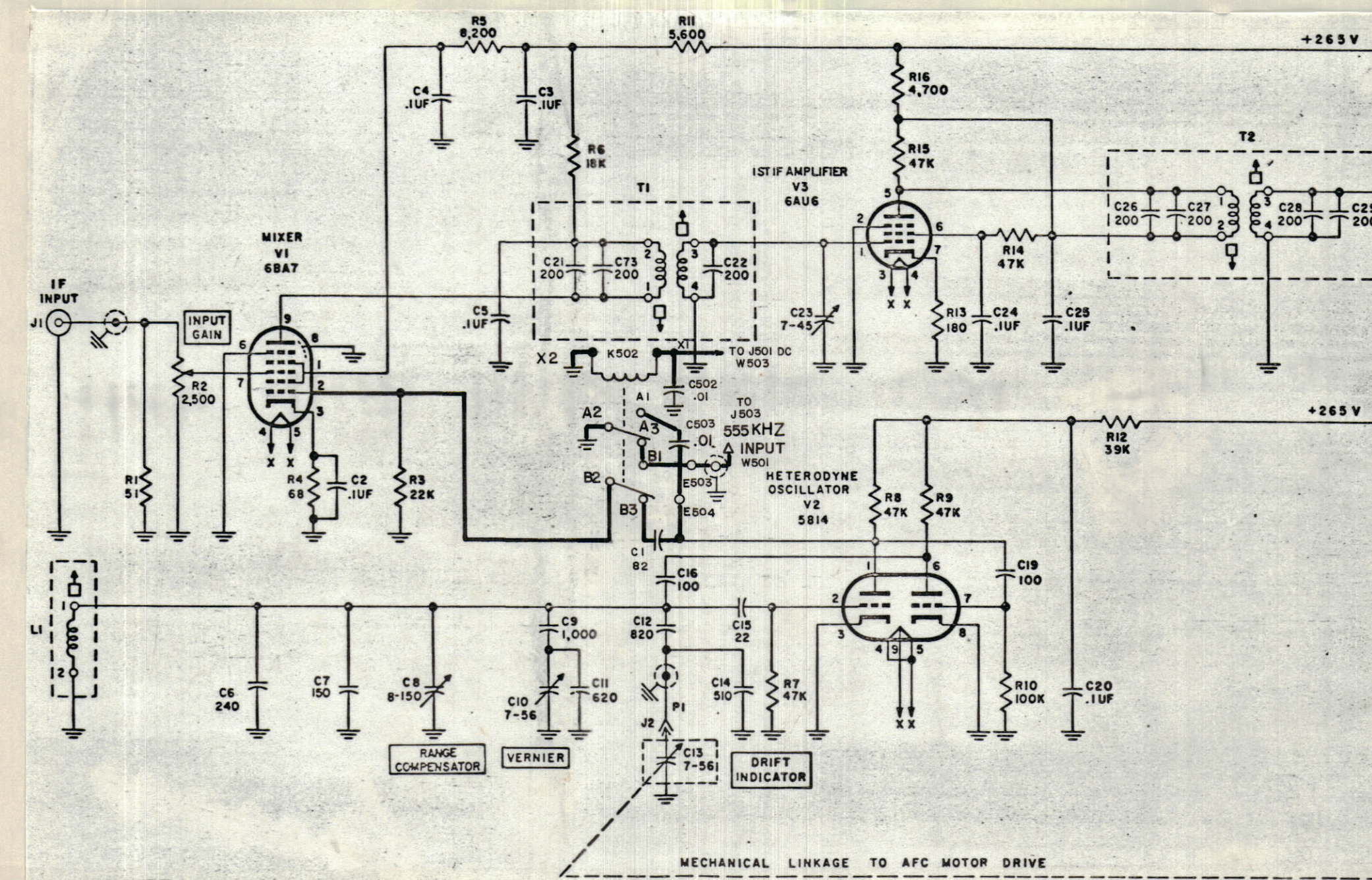
REFER TO FIG 67 TMII-266
555 KHz OSC. BEFORE MODIFICATION



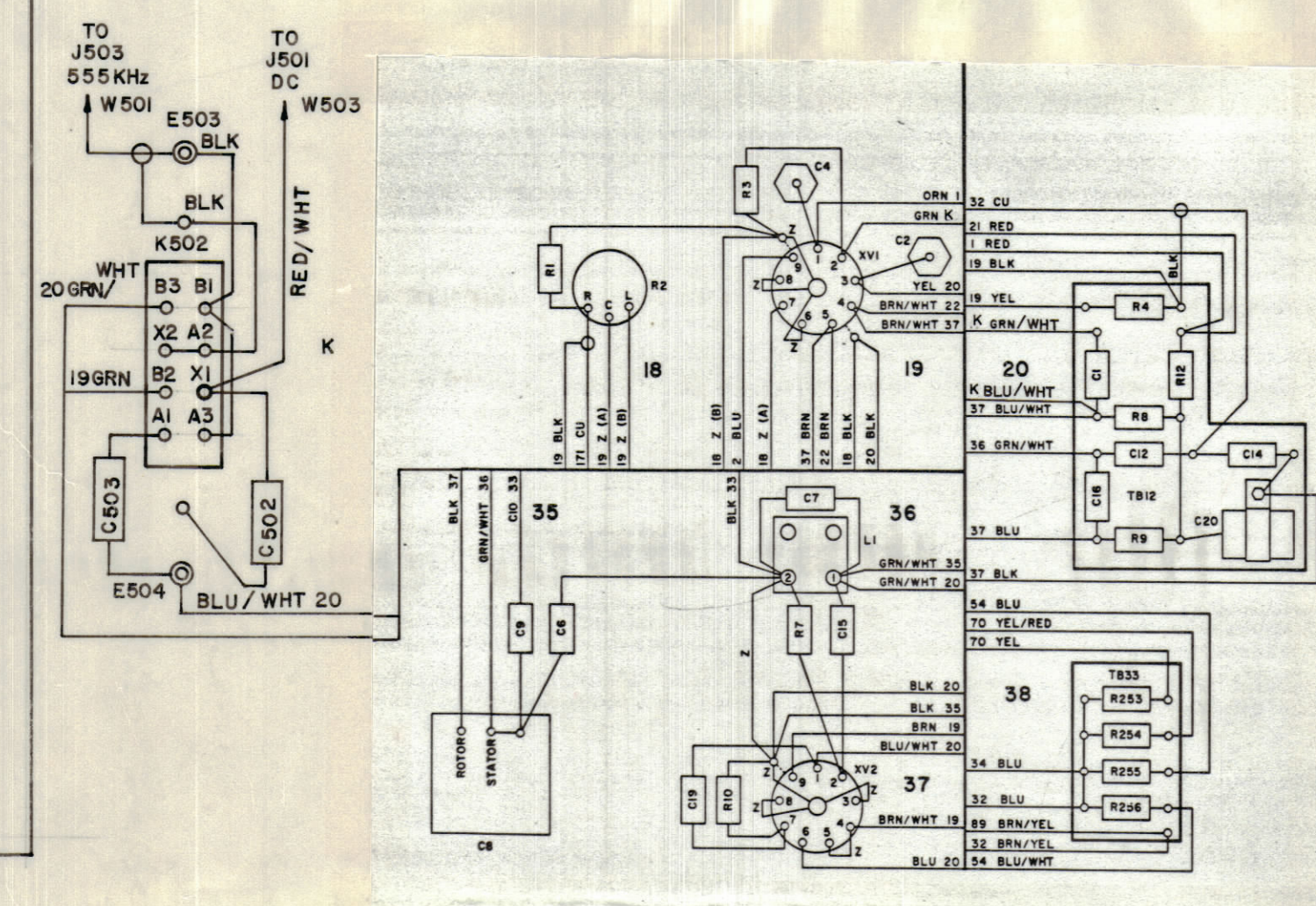
REFER TO FIG 68 TMII-266
BEFORE MODIFICATION



555 KHz OSC. AFTER MODIFICATION



AFTER MODIFICATION



QTY. REQ.	ITEM	PART NO.	DESCRIPTION	SYMBOL
LIST OF MATERIAL				
THE TECHNICAL MATERIEL CORP. MAMARONECK, NEW YORK				
INSTALLATION DRAWING HETERODYNE OSC. MODIFICATION 555 KHz OSCILLATOR				
SIZE		CODE IDENT NO. DWG NO.		ISSUE
D		82679 ID 409		
SCALE				SHEET OF

FINAL APPROVAL	DATE
MECH. DES.	DATE
ELECT. DES.	DATE
CHECKED	DATE
DRAWN	DATE

KIT 375		CV 157/URR
QTY / UNIT	MODEL USED ON	ASS'Y NO.
APPLICATION		
CODE		
<small>NOTICE TO PERSONS RECEIVING THIS DRAWING</small> <small>THE TECHNICAL MATERIEL CORPORATION claims proprietary right in the material disclosed hereon. This drawing is issued in confidence for engineering information only and may not be reproduced or used to manufacture anything shown hereon without permission from THE TECHNICAL MATERIEL CORPORATION to the user. This drawing is loaned for mutual assistance and is subject to recall at any time.</small>		

TOLERANCES ON	
DECIMALS	FRACTIONS
.X ± .05	± 1/64
.XX ± .01	ANGLES
.XXX ± .005	± 0° - 30'

MATERIAL	
FINISH	

ID 409