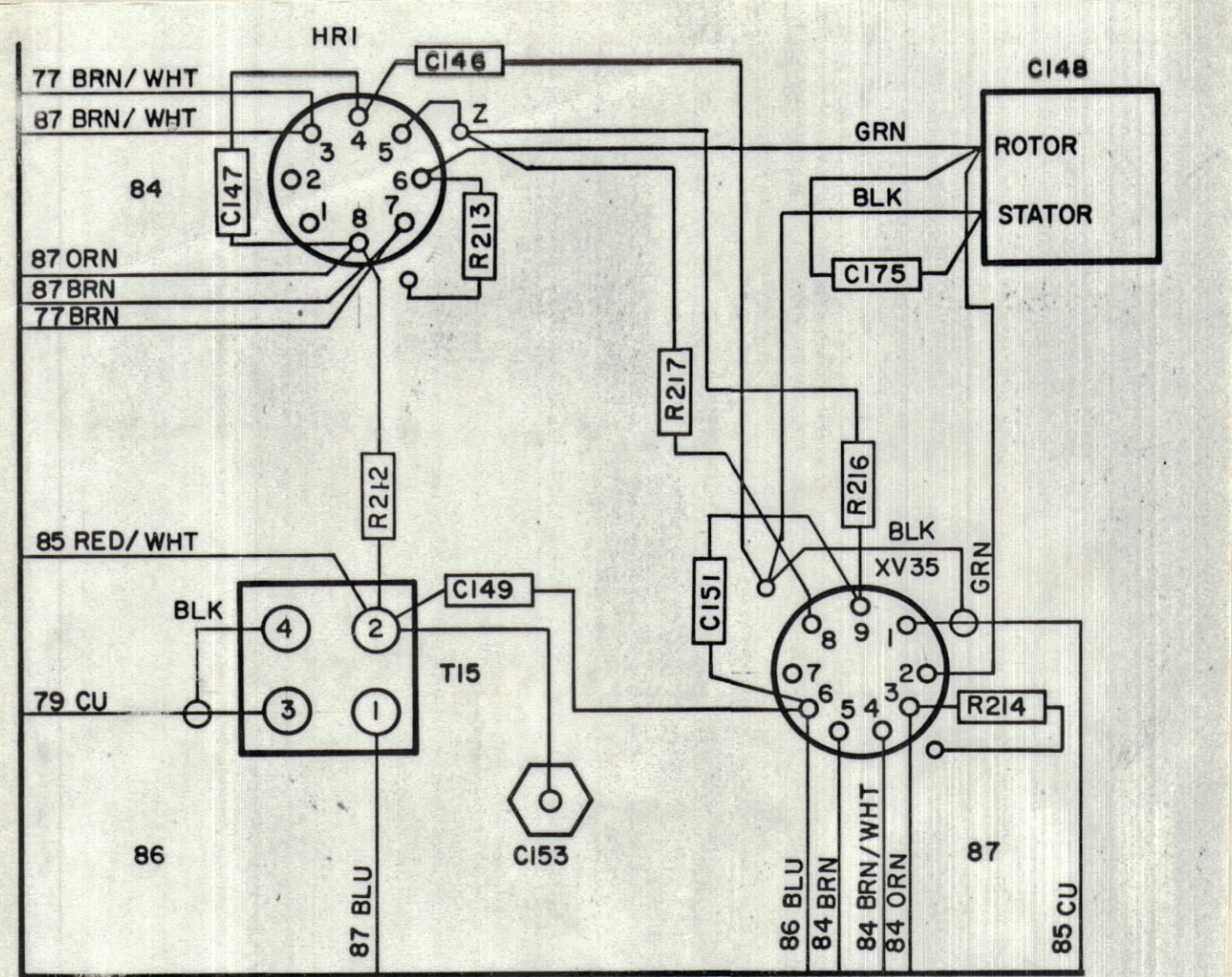
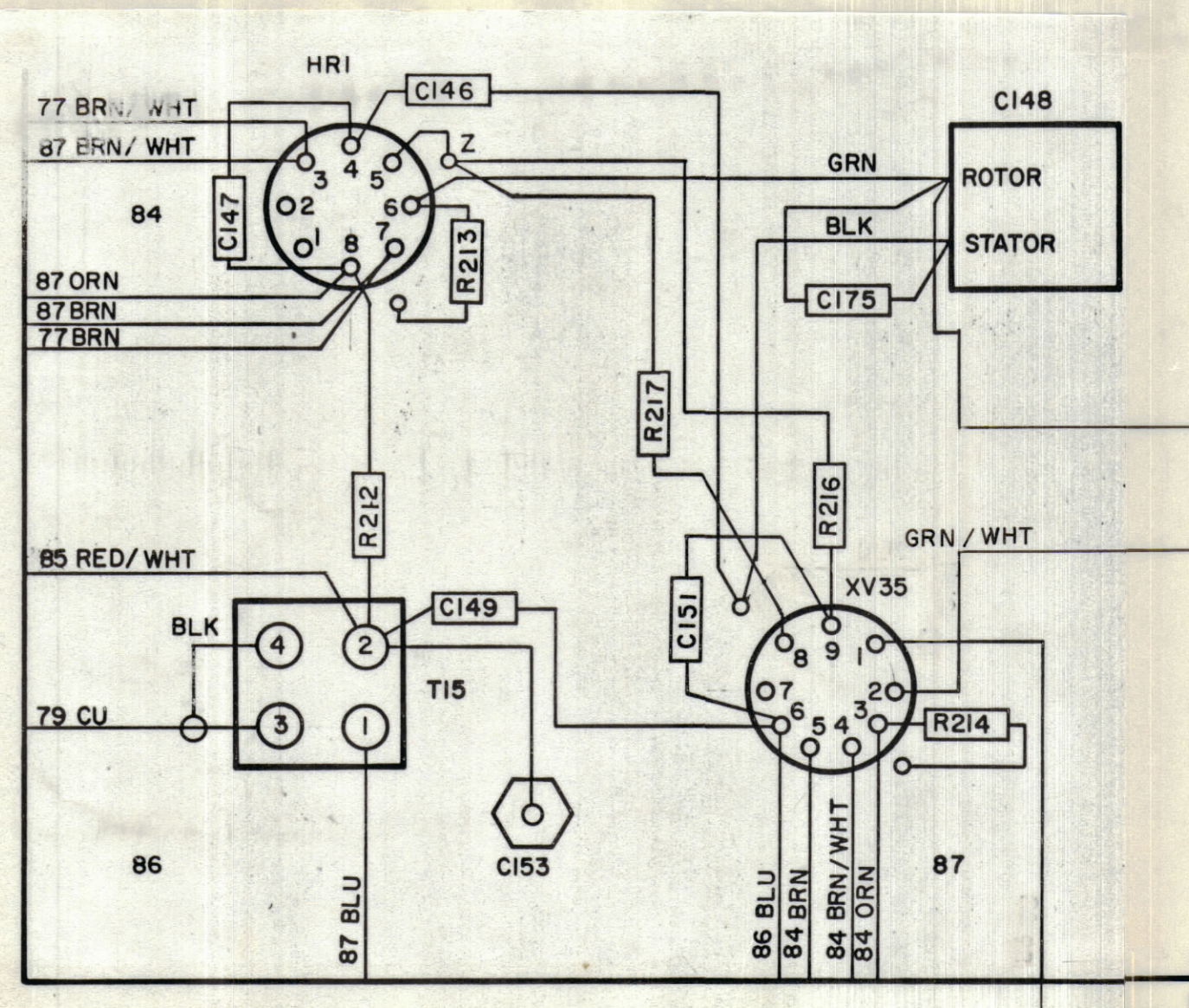


REVISIONS							
E.M.N.O	DRAFT	CHKD	ZONE	LTR	DESCRIPTION	DATE	APPROVED
	0			0	ORIGINAL RELEASE FOR PRODUCTION	3-22-73	

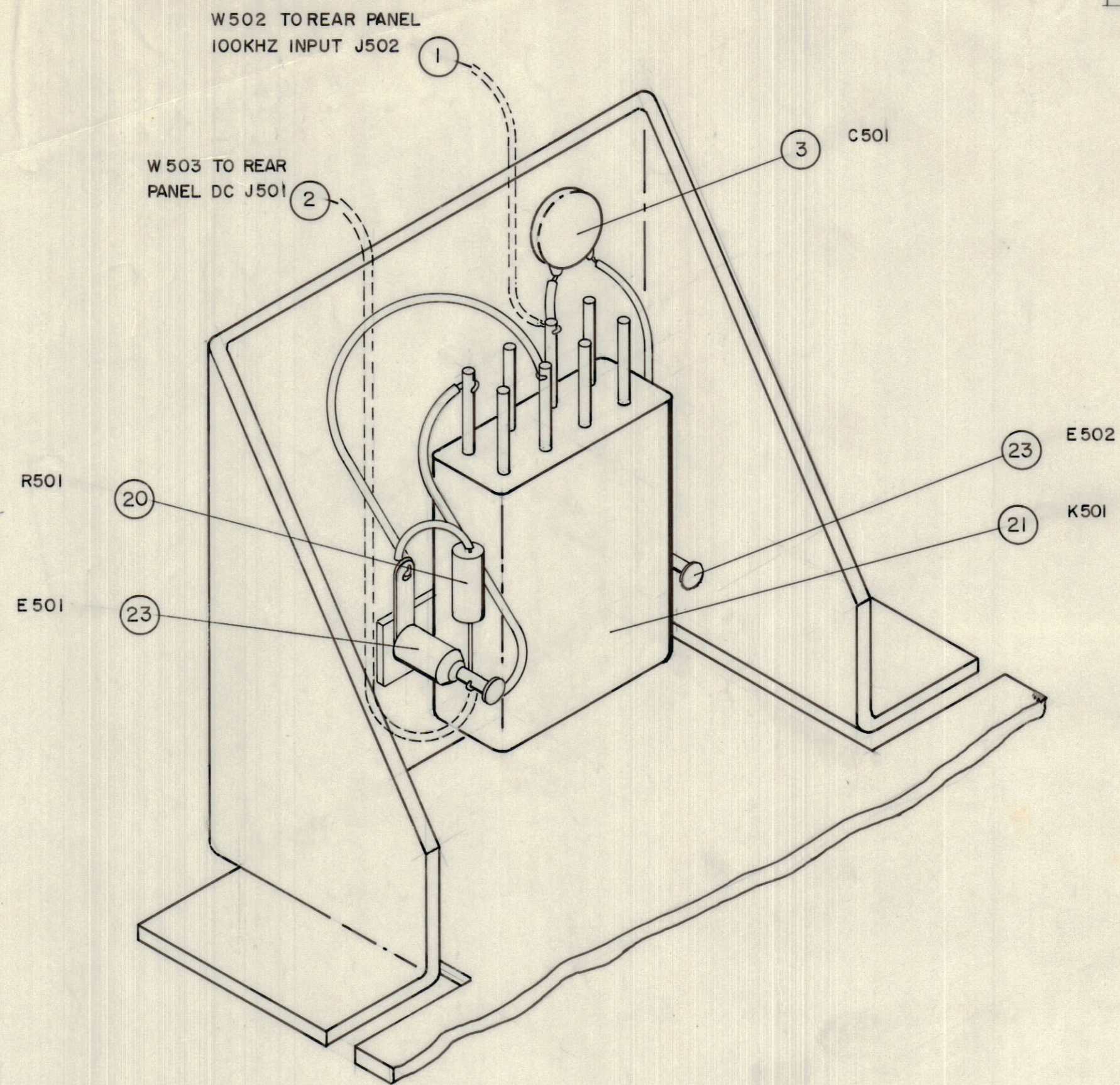
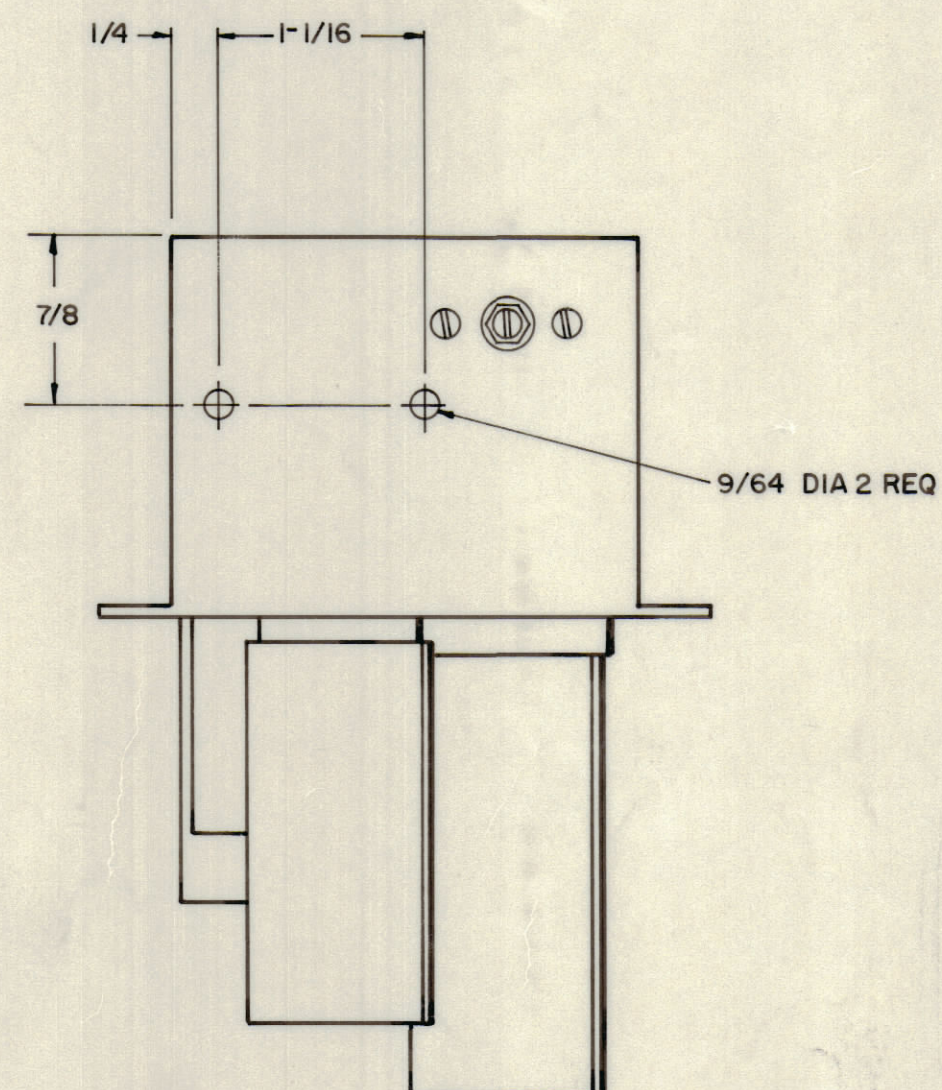
REFER TO FIG 68 TM11-266  
BEFORE MODIFICATION



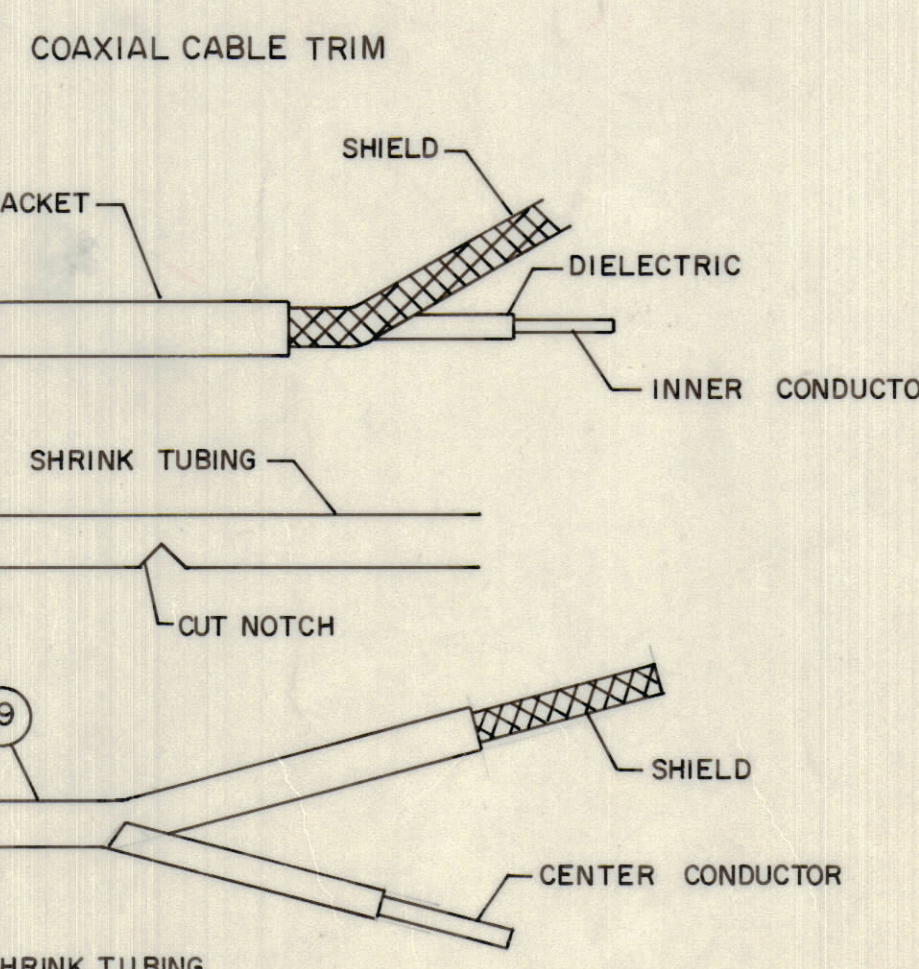
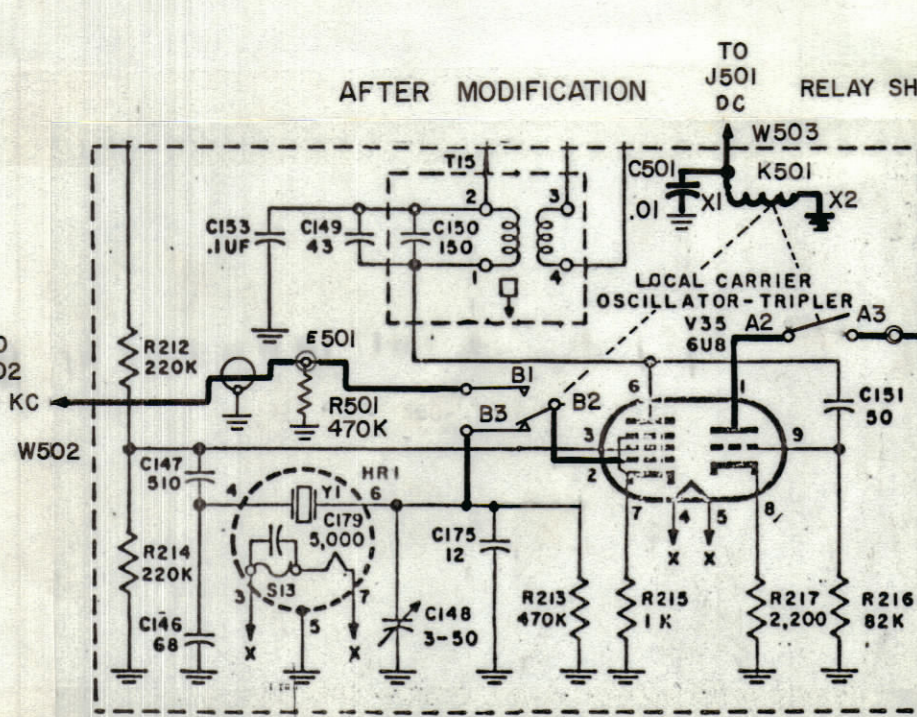
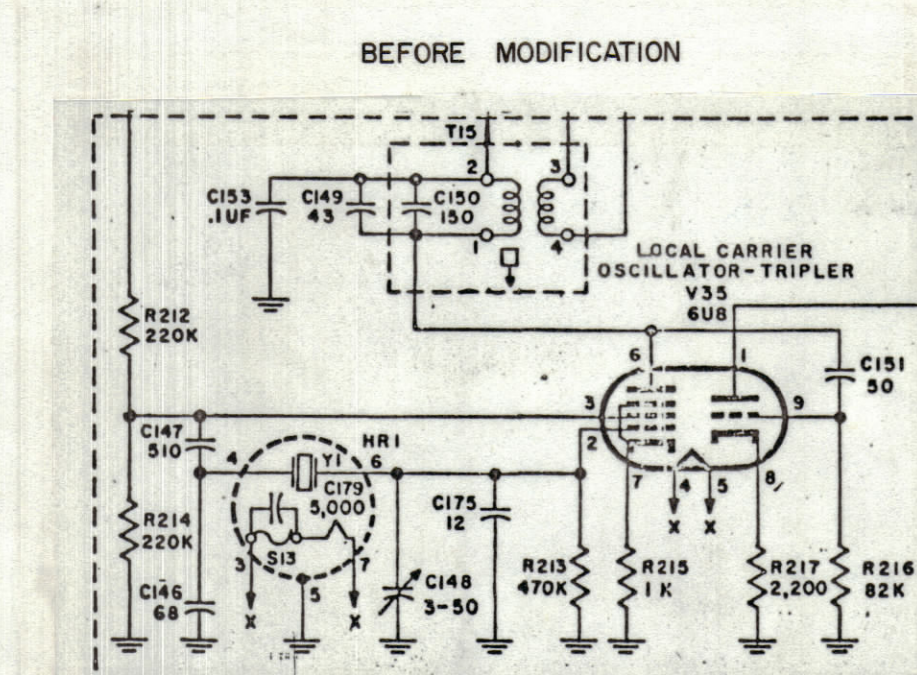
AFTER MODIFICATION



DRILLING PLAN



REFER TO FIG 67 TM11-266



QTY. REQ.	ITEM	PART NO.	DESCRIPTION	SYMBOL
FB.	LIST OF MATERIAL			
FINAL APPROVAL	<i>[Signature]</i>	DATE	30 APR 73	
MECH. DES.		DATE		
ELECT. DES.	<i>[Signature]</i>	DATE	20 APR 73	
CHECKED		DATE		
DRAWN	<i>[Signature]</i>	DATE	3-19-73	
<p>UNLESS OTHERWISE SPECIFIED DIMENSIONS ARE IN INCHES AND INCLUDE CHEMICALLY APPLIED OR PLATED FINISHES</p> <p>TOLERANCES ON            DECIMALS X ± .05            XX ± .01            XXX ± .005            FRACTIONS ± 1/64            ANGLES ± 0° -30'</p>				
<p>THE TECHNICAL MATERIEL CORP. MAMARONECK, NEW YORK</p> <p>INSTALLATION DRAWING LOCAL CARRIER OSCILLATOR 100 KHz OSC MODIFICATION</p>				
SIZE	D	CODE	IDENT NO.	DWG NO.
			82679	ID 408
SCALE		SHEET	OF	

KIT 375		CV157/URR
QTY / UNIT	MODEL USED ON	ASSY NO.
APPLICATION		
CODE		
<p>NOTICE TO PERSONS RECEIVING THIS DRAWING            THE TECHNICAL MATERIEL CORPORATION claims proprietary right in the material disclosed hereon. This drawing is issued in confidence for engineering information only and may not be reproduced or used to manufacture anything shown hereon without permission from THE TECHNICAL MATERIEL CORPORATION to the user. This drawing is loaned for mutual assistance and is subject to recall at any time.</p>		