

5

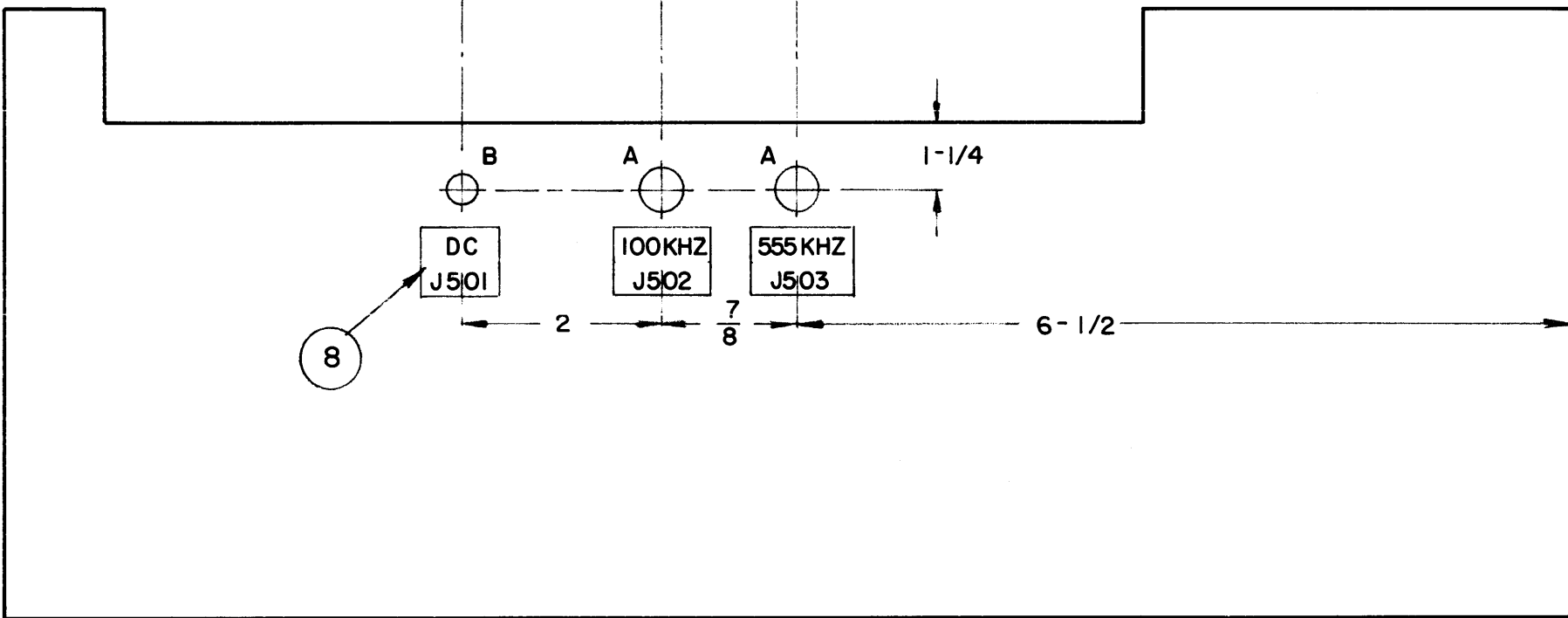
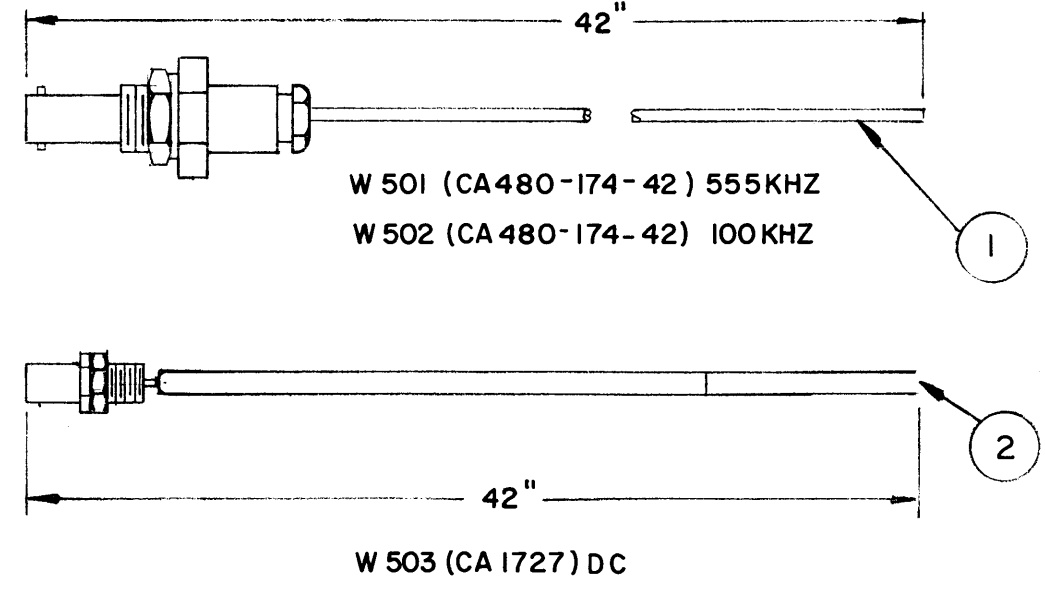
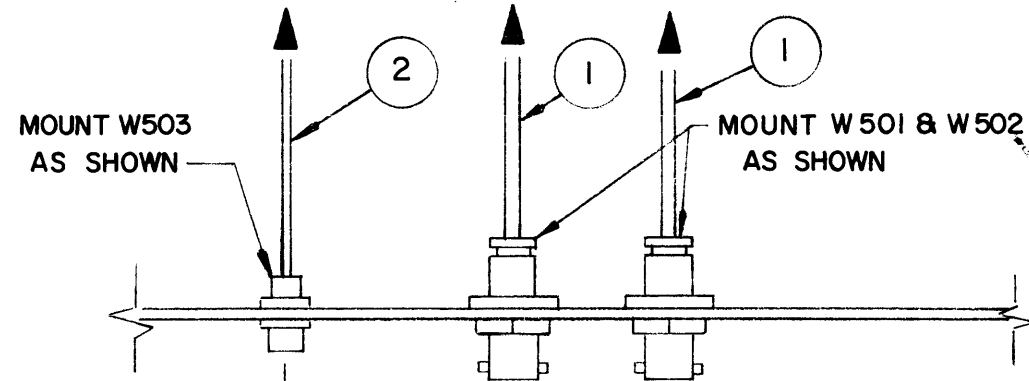
4

3

2

1

REVISIONS							
E.M.N. NO.	DRAFT	CHKD	ZONE	LTR	DESCRIPTION	DATE	APPROVED
	CL			Ø	ORIGINAL RELEASE FOR PROD	3/23/73	



DRILLING PLAN REAR VIEW CV 157

HOLE A-1/2- 2 REQ  
HOLE B-1/4- 1 REQ

REQ'D	ITEM	PART NUMBER	DESCRIPTION	SYM.
LIST OF MATERIAL				
<b>THE TECHNICAL MATERIEL CORP.</b> MAMARONECK, NEW YORK <b>INSTALLATION DRAWING</b> <b>DRILLING PLAN, REAR</b> <b>CV 157/URR</b>				
SIZE	CODE IDENT. NO.	DWG NO.	ISSUE	
B	82679	ID 407	Ø	
SCALE	SHEET		OF	

KIT 375		CV 157/URR
QTY / UNIT	MODEL USED ON	ASS'Y NO.
APPLICATION		
	CODE	

**NOTICE TO PERSONS RECEIVING THIS DRAWING**  
**THE TECHNICAL MATERIEL CORPORATION** claims proprietary right in the material disclosed hereon. This drawing is issued in confidence for engineering information only and may not be reproduced or used to manufacture anything shown hereon without permission from **THE TECHNICAL MATERIEL CORPORATION** to the user. This drawing is loaned for mutual assistance and is subject to recall at any time.

UNLESS OTHERWISE SPECIFIED DIMENSIONS ARE IN INCHES AND INCLUDE CHEMICALLY APPLIED OR PLATED FINISHES	
DECIMALS .X ± .05 .XX ± .01 .XXX ± .005	FRACTIONS 1/64 ANGLES 0° -30'
MATERIAL	
FINISH	

FINAL APPROVAL	DATE
MECH. DES.	DATE
ELECT. DES.	DATE
CHECKED	DATE
DRAWN	DATE

D

D

C

C

B

B

A

A

5

4

3

2

1