

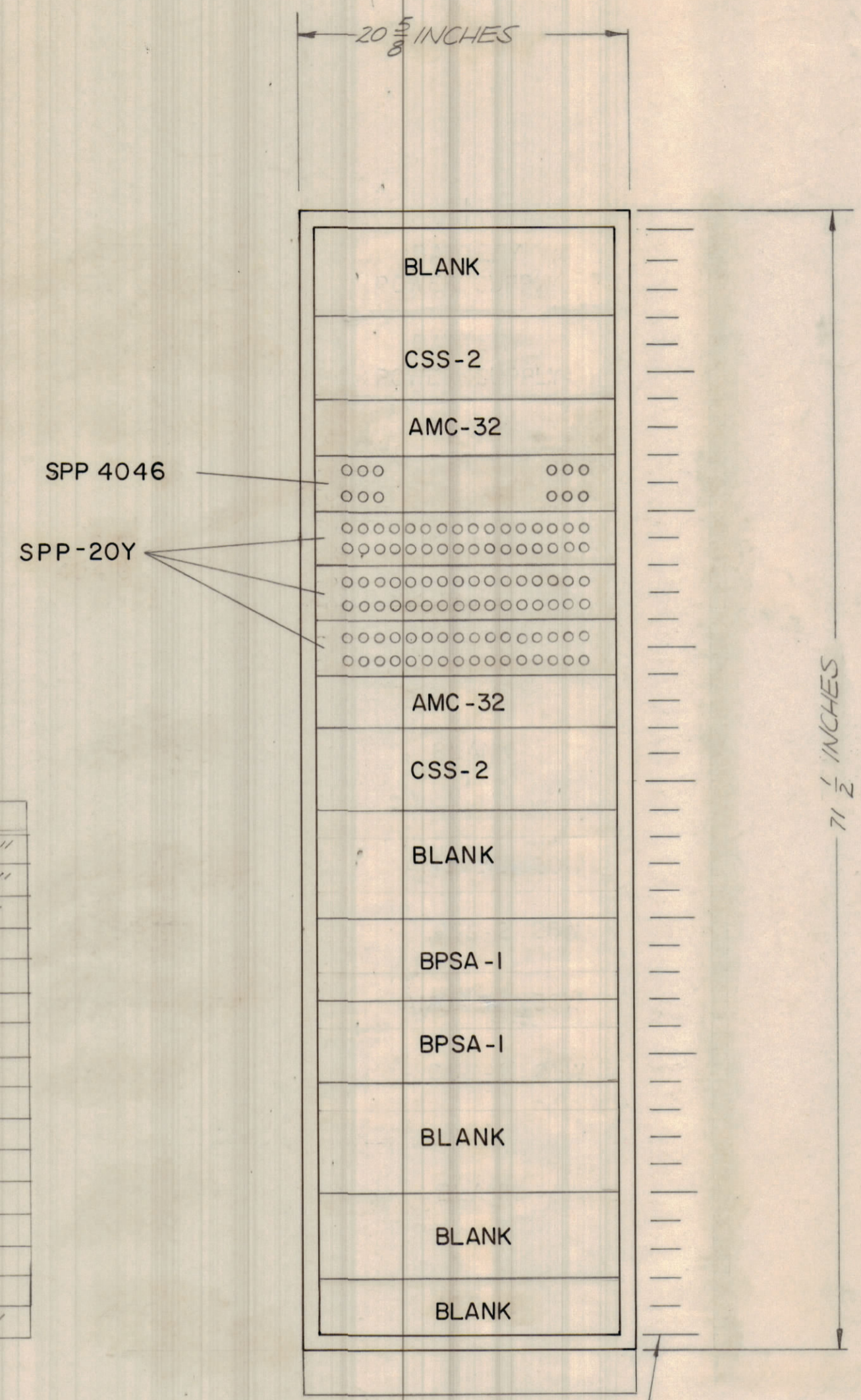
4

3

2

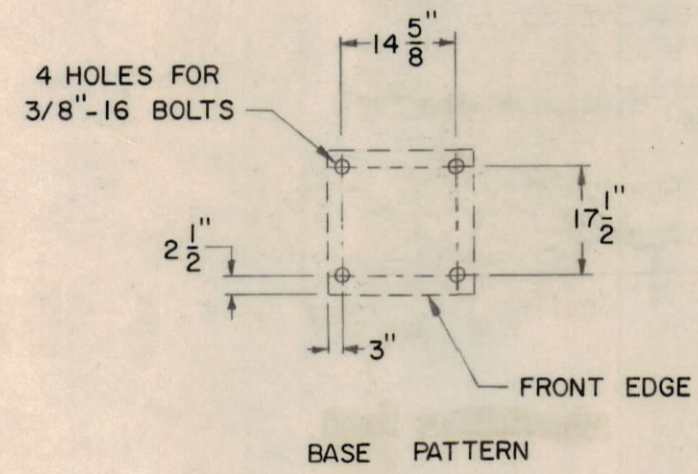
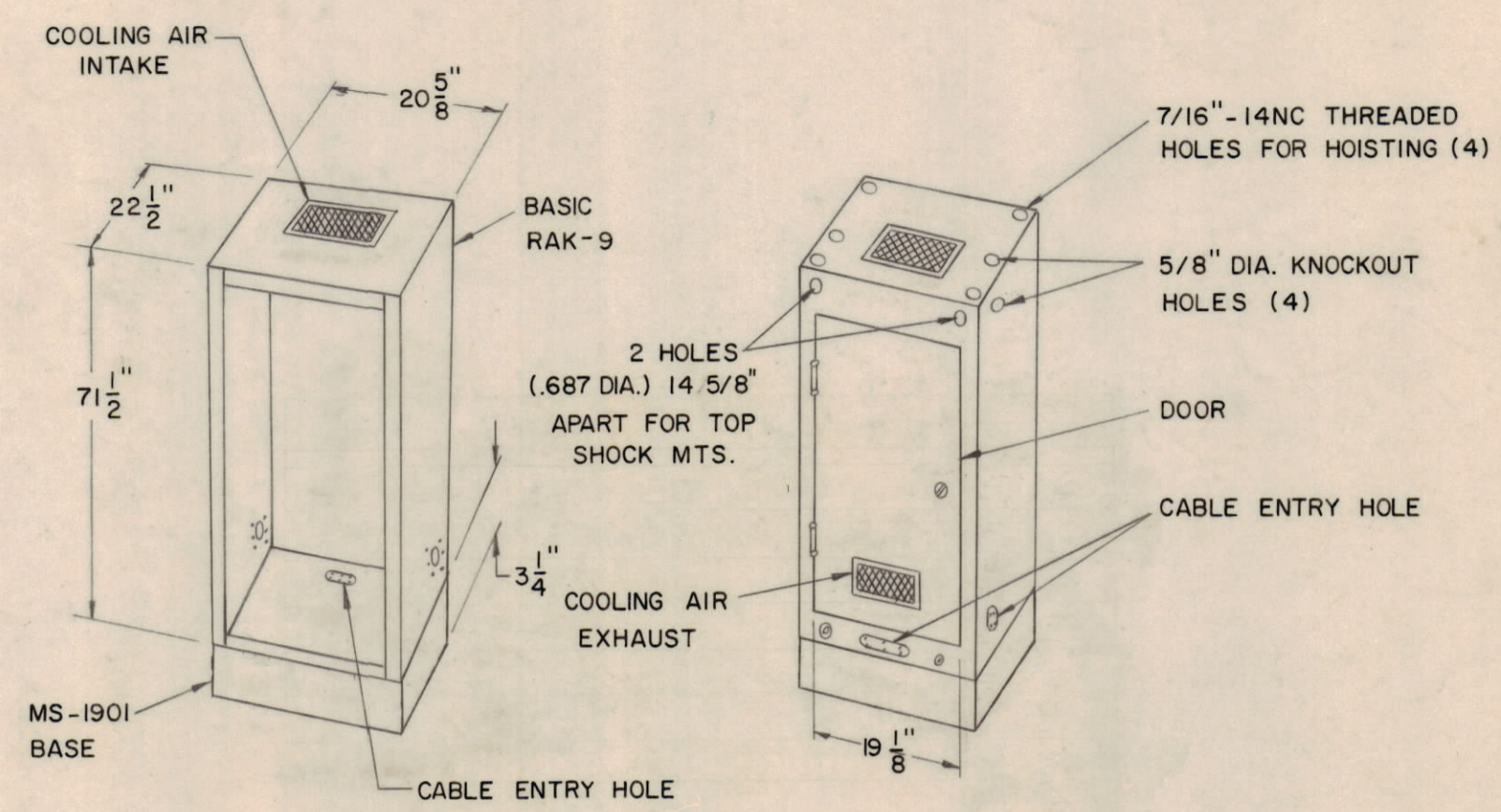
1

REVISIONS					DATE	APPROVED
E.M.N.NO	DRAFT	CHKD	ZONE	LTR	DESCRIPTION	
	0			0	ORIGINAL RELEASE FOR PRODUCTION	3/5/71 P.E.S.



UNIT	HEIGHT
BLANK	5 1/4"
CSS-2	5 1/4"
AMC-32	3 1/2"
SPP-4046	3 1/2"
SPP-20Y	3 1/2"
SPP-20Y	3 1/2"
SPP-20Y	3 1/2"
AMC-32	3 1/2"
CSS-2	5 1/4"
BLANK	7"
BPSA-1	5 1/4"
BPSA-1	5 1/4"
BLANK	7"
BLANK	5 1/4"
BLANK	3 1/2"
TOTAL UNIT SPACE 70"	

UNIT DATA
 POWER INPUT — 110 W
 VOLTAGE — 220/380 VAC
 FREQUENCY — 50 Hz ± 5%



DRAWN <i>G. EVANGELIST</i> TRACED CHECKED <i>K. H. 4-10-70</i> APPROVED ENG. R <i>M. L. 4-13-71</i> DATE / / PROJ. APPROVED DATE / /	PAGE EUROPA S.p.A. ROME ITALY	FREQUENCY STANDARD DISTRIBUTION SYSTEM INSTALLATION DIAGRAM	
REPLACE DRWG. N°	DATE	DRAWING NUMBER ID 384	
REPLACED BY DRWG N°	DATE	SCALES	SHEET 1 OF 2
PORTUGAL NATO	SECRETARIADO DA DEFESA NACIONAL C.E.I.-OTAN C.E.O.M.E.		ARQUIVO CEOME DES N° FOLHA DE SUBSTITUE O N° SUBSTITUIDO PELO N°
VIII-IX-XI SLICES	IBERLANT		
CONFERIDO / /	CLASSIF. DE SEGURANÇA		
APROVADO / /			

ID 384

D

D

C

C

B

A

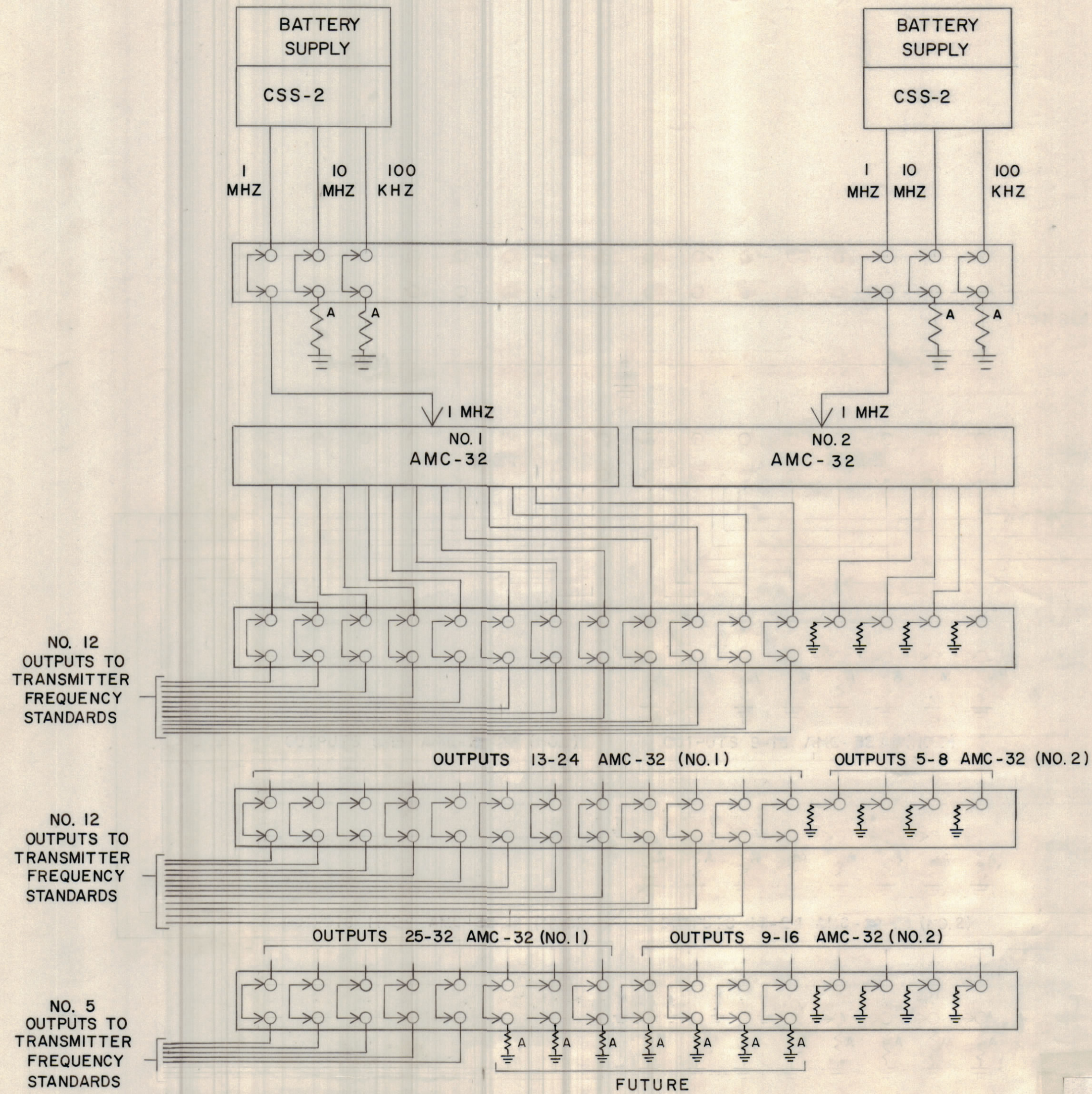
4

3

2

1

REVISIONS							
E.M.N.NO	DRAFT	CHKD	ZONE	LTR	DESCRIPTION	DATE	APPROVED
	00			0	ORIGINAL RELEASE FOR PRODUCTION	5/5/71	P.E.B.



NOTE: LETTER 'A' DENOTES
50Ω TERMINATION
TMC P/N DL-100-4

DRAWN <i>G. EVANGELIST</i> TRACED	PAGE EUROPA S.p.A. ROME ITALY
CHECKED <i>K. H. 4-10-70</i> APPROVED ENG. R <i>R. Z. 4-13-70</i> DATE / / PROJ. APPROVED	FREQUENCY STANDARD DISTRIBUTION SYSTEM
REPLACE DRWG. N° / / DATE / / DRAWING NUMBER ID 384	SHEET 2 OF 2
PORTUGAL NATO VIII-IX-XI SLICES	SECRETARIADO DA DEFESA NACIONAL C.E.I.-OTAN C.E.O.M.E. IBERLANT
CONFERIDO / / APROVADO / /	ARQUIVO GEOME DES N° FOLHA DE SUBSTITUE O N° SUBSTITUIDO PELO N° CLASSIF. DE SEGURANÇA

ID 384