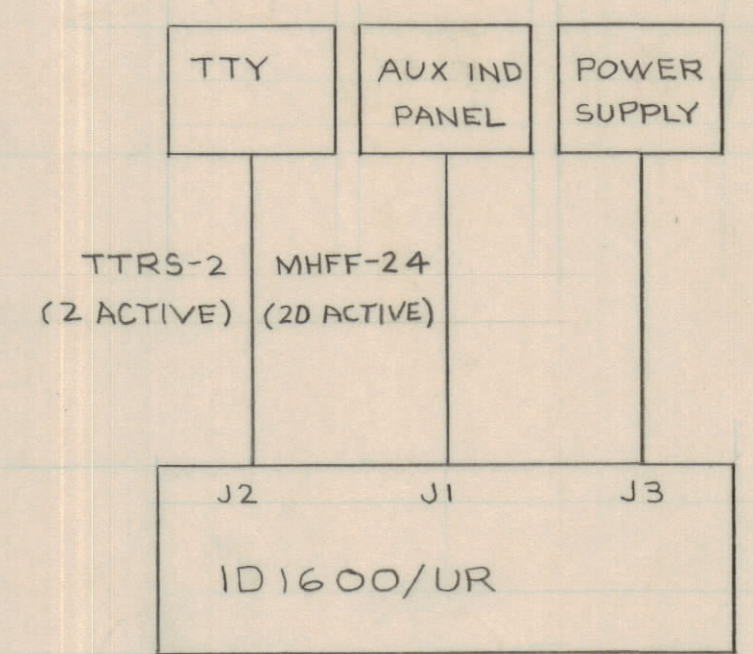
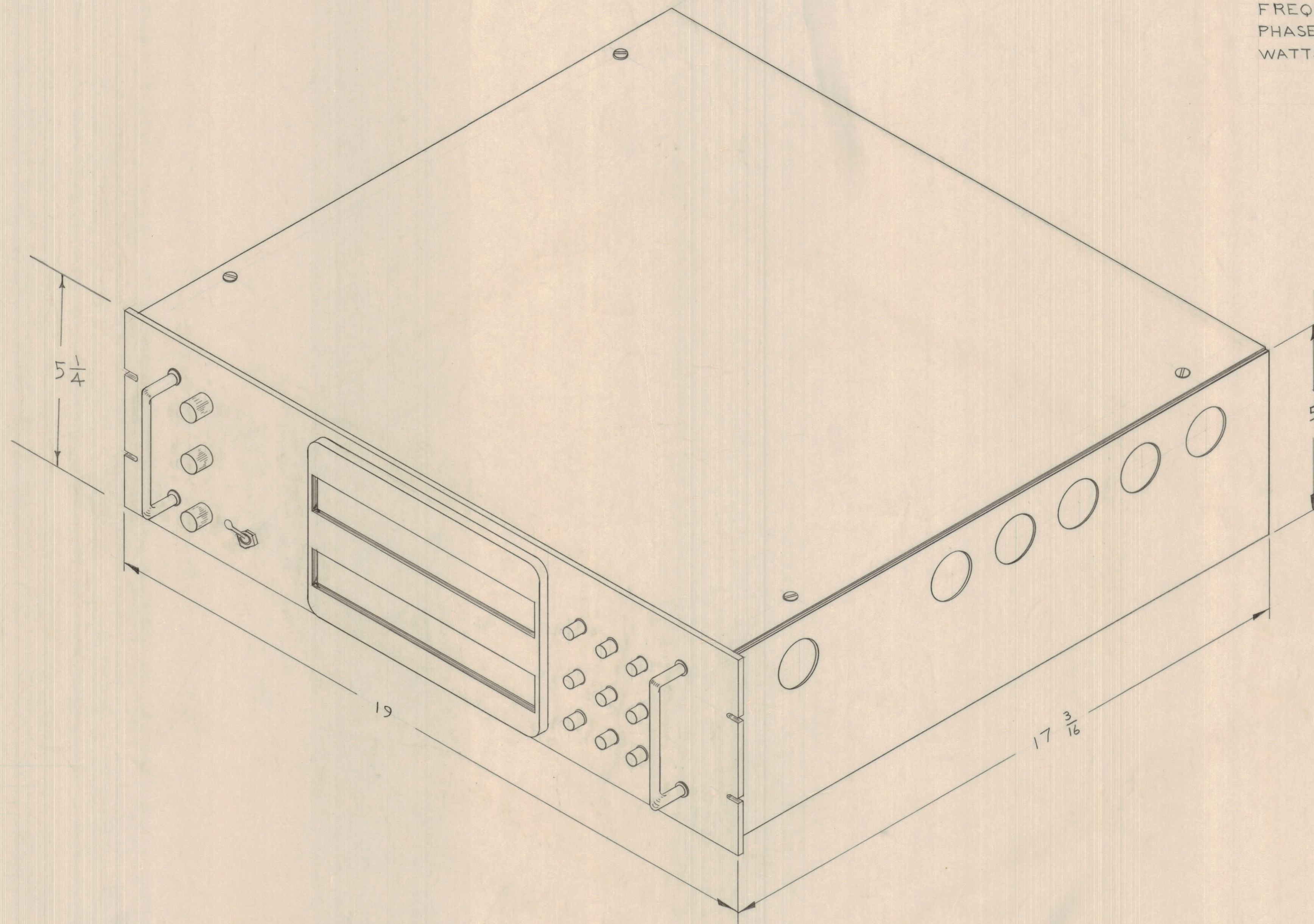


REVISIONS							
E.M.N.O.	DRAFT	CHKD	ZONE	LTR	DESCRIPTION	DATE	APPROVED
	KD			X1	UPDATED TO 2-19-70 SUBMISSION	2-20-70	
	(W)			Ø	ORIGINAL RELEASE FOR PRODUCTION	4/13/70	

POWER REQ'D
 VOLTAGE — 120
 FREQUENCY — 50/60
 PHASE — SINGLE
 WATTS — 100



CONTRACT NO.: N600(63133)65805
 NOTE: DRAWING IN ACCORDANCE WITH MIL-D-23410(SHIPS)
 DATED 17 JANUARY 1962

QTY. REQ.	ITEM	PART NO.	DESCRIPTION	SYMBOL
LIST OF MATERIAL				
FINAL APPROVAL		DATE	THE TECHNICAL MATERIEL CORP. MAMARONECK, NEW YORK PANEL, REMOTE DISPLAY ID-1600/UR PICTORIAL SYSTEM DIAGRAM	
MECH. DES.		DATE		
ELECT. DES.		DATE		
CHECKED		DATE		
DRAWN		DATE		
MATERIAL		SIZE CODE IDENT NO. DWG NO.		ISSUE
FINISH		D 82679 ID 378		Ø
		SCALE		SHEET 1 OF 3

QTY / UNIT	MODEL USED ON	ASS'Y NO.
	RTIH-3	
APPLICATION		
CODE 0100 037		
<small>NOTICE TO PERSONS RECEIVING THIS DRAWING</small> <small>THE TECHNICAL MATERIEL CORPORATION claims proprietary right in the material disclosed hereon. This drawing is issued in confidence for engineering information only and may not be reproduced or used to manufacture anything shown hereon without permission from THE TECHNICAL MATERIEL CORPORATION to the user. This drawing is loaned for mutual assistance and is subject to recall at any time.</small>		

UNLESS OTHERWISE SPECIFIED DIMENSIONS ARE IN INCHES AND INCLUDE CHEMICALLY APPLIED OR PLATED FINISHES

TOLERANCES ON
 DECIMALS .X ± .05
 .XX ± .01
 .XXX ± .005

FRACTIONS ± 1/64
 ANGLES ± 0°-30'

ITEM NUMBER	QUANTITY		NOMEN CLATURE	PART, TYPE OR MODEL NUMBER	MANUFACTURERS NAME OR FEDERAL SUPPLY CODE	REMARKS	SIZE		
	GFM	CFM					LENGTH	HEIGHT	WIDTH
1		1	PANEL, REMOTE DISPLAY	ID-1600/UR		UNIT 1	17-3/16	5-1/4	19
2	1		CABLE	TTRS-2 (1)		READBACK INPUT			
3	1		CONNECTOR, PLUG	MS3106B20-27S		FOR ITEM 2 MATES WITH J2			
4	1		CABLE	MHFF-24 (4)		AUX IND PANEL			
5	1		CONNECTOR, PLUG	MS3106B20-29P		FOR ITEM 4 MATES WITH J1			
6	1		CABLE	CA1068-1		POWER			
7	1		CONNECTOR, PLUG	MS3106B14S1S		FOR ITEM 6 MATES WITH J3			

REVISIONS					DATE	APPROVED
E.M.N.O	DRAFT	CHKD	ZONE	LTR	DESCRIPTION	
	KD			X	UPDATED TO 2-18-70 SUBMISSION	3-13-70
	W				ORIGINAL RELEASE FOR PRODUCTION	4-13-70

CONTRACT NO.: N600(63133)65805

NOTE: DRAWING IN ACCORDANCE WITH MIL-D-23410(SHIPS)
DATED 17 JANUARY 1962

RTIH-3	0100 038	
QTY / UNIT	MODEL USED ON	ASS'Y NO.
APPLICATION		
CODE		

NOTICE TO PERSONS RECEIVING THIS DRAWING
THE TECHNICAL MATERIEL CORPORATION claims proprietary right in the material disclosed hereon. This drawing is issued in confidence for engineering information only and may not be reproduced or used to manufacture anything shown hereon without permission from THE TECHNICAL MATERIEL CORPORATION to the user. This drawing is loaned for mutual assistance and is subject to recall at any time.

UNLESS OTHERWISE SPECIFIED
DIMENSIONS ARE IN INCHES
AND INCLUDE CHEMICALLY APPLIED
OR PLATED FINISHES

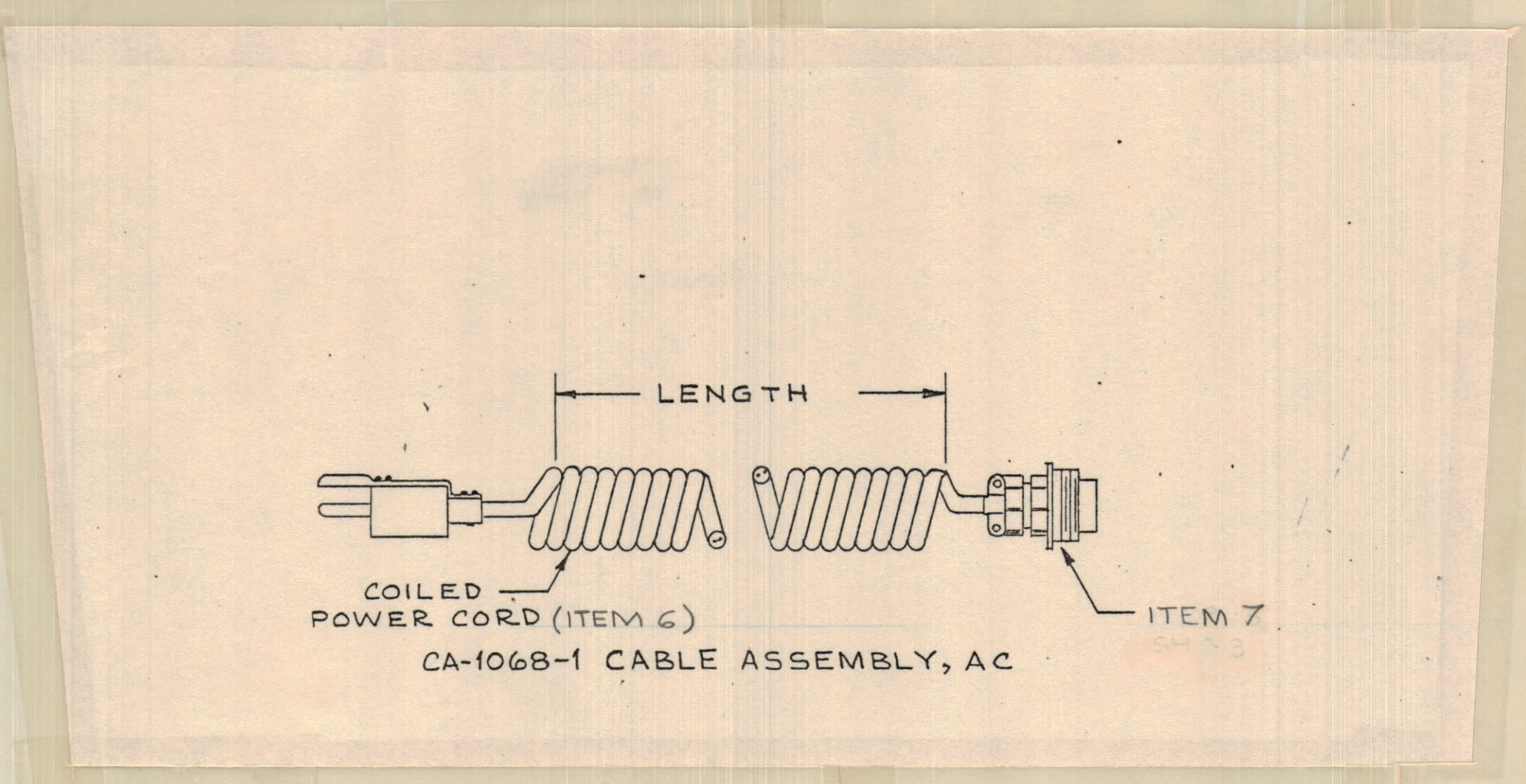
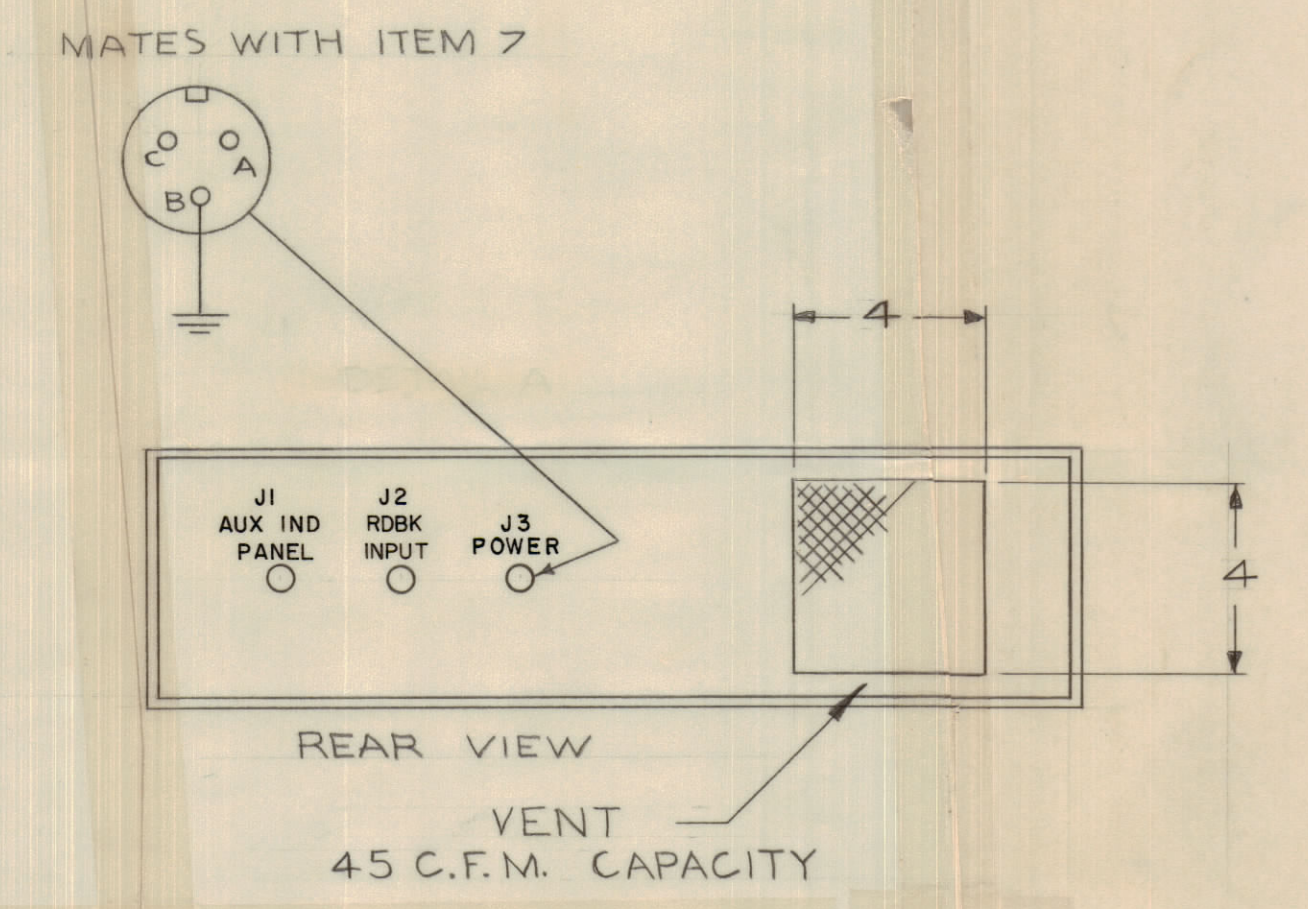
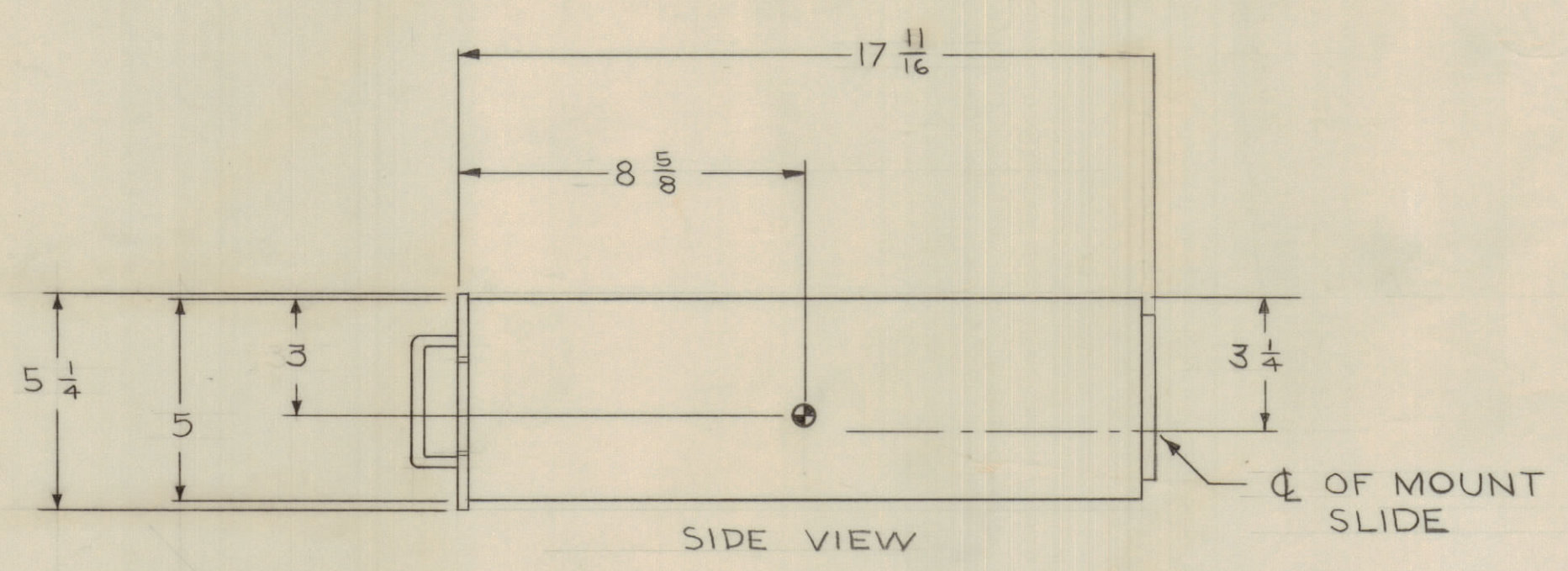
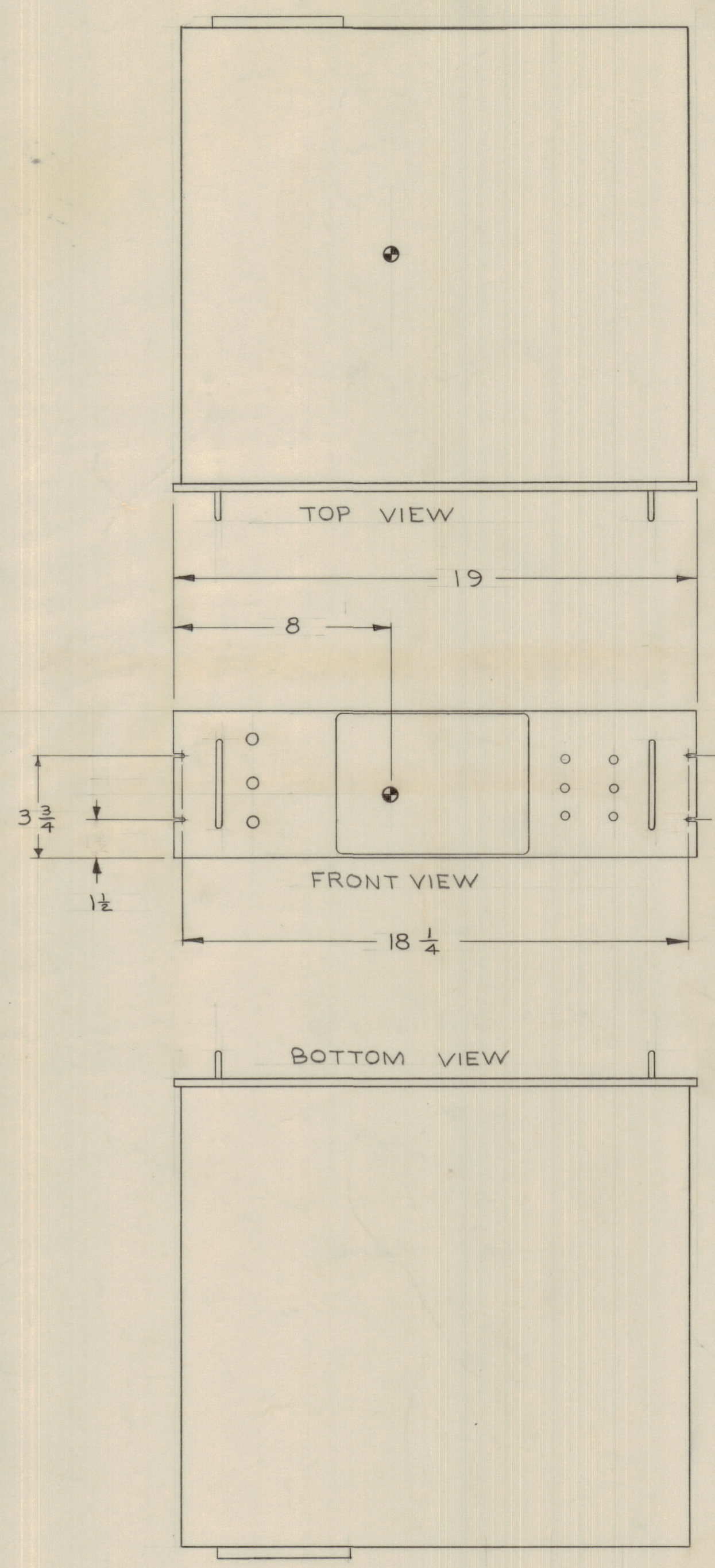
TOLERANCES ON
DECIMALS X ± .05 FRACTIONS ± 1/64
.XX ± .01 ANGLES ± 0° -30'
.XXX ± .005

QTY. REQ.	ITEM	PART NO.	DESCRIPTION	SYMBOL
LIST OF MATERIAL				
FINAL APPROVAL		DATE	THE TECHNICAL MATERIEL CORP.	
MECH. DES.		DATE	MAMARONECK, NEW YORK	
ELECT. DES.		DATE	PANEL, REMOTE DISPLAY	
CHECKED		DATE	ID-1600/UR	
DRAWN		DATE	SUMMARY LIST OF INSTALLATION MATERIAL	
MATERIAL		DATE	SIZE CODE IDENT NO. DWG NO.	ISSUE
FINISH		DATE	D 82679 ID 378	Ø
SCALE			SHEET 2 OF	

REVISIONS							
E.M.N.O.	DRAFT	CHKD	ZONE	LTR	DESCRIPTION	DATE	APPROVED
	0				ORIGINAL RELEASE FOR PRODUCTION	4-13-70	

UNIT DATA

POWER REQD — 100 WATTS
 HEAT DISSIPATION — 324 BTU/HR
 TEMP. RANGE — 0°-50°C
 WEIGHT — 36 3/4 LBS.
 CUBIC AREA — 1 C.U.F.T.



CONTRACT NO.: N600(63133)65805
 NOTE: DRAWING IN ACCORDANCE WITH MIL-D-23410(SHIPS)
 DATED 17 JANUARY 1962

QTY / UNIT	MODEL USED ON	ASS'Y NO.
	RTIH-3	0100 039
APPLICATION		
CODE		
<small>NOTICE TO PERSONS RECEIVING THIS DRAWING</small> <small>THE TECHNICAL MATERIEL CORPORATION claims proprietary right in the material disclosed hereon. This drawing is issued in confidence for engineering information only and may not be reproduced or used to manufacture anything shown hereon without permission from THE TECHNICAL MATERIEL CORPORATION to the user. This drawing is loaned for mutual assistance and is subject to recall at any time.</small>		

QTY. REQ.	ITEM	PART NO.	DESCRIPTION	SYMBOL
LIST OF MATERIAL				
FINAL APPROVAL		DATE	THE TECHNICAL MATERIEL CORP.	
MECH. DES.		DATE	MAMARONECK, NEW YORK	
ELECT. DES.		DATE	PANEL, REMOTE DISPLAY	
CHECKED		DATE	ID-1600/UR	
DRAWN		DATE	OUTLINE & MOUNTING DIMENSIONS	
MATERIAL		SIZE	CODE	IDENT NO.
FINISH		D	82679	ID 378
		SCALE	NONE	SHEET 3 OF