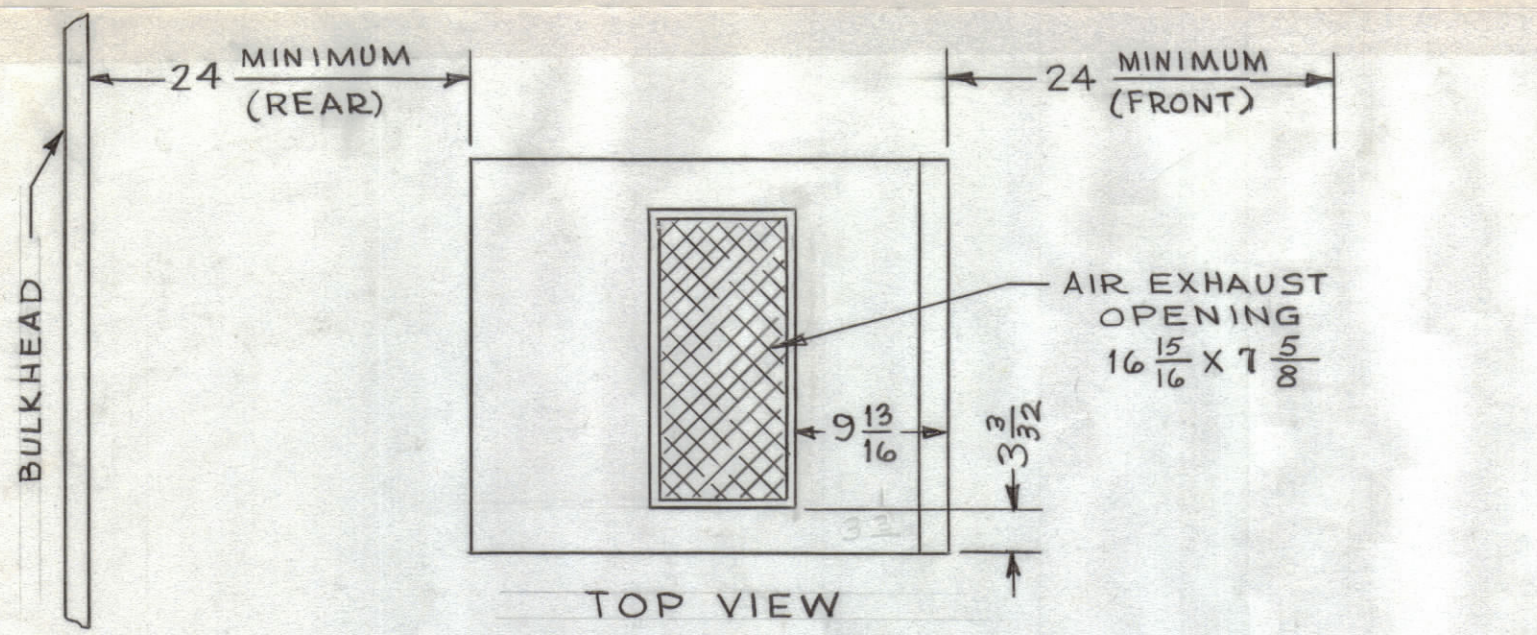
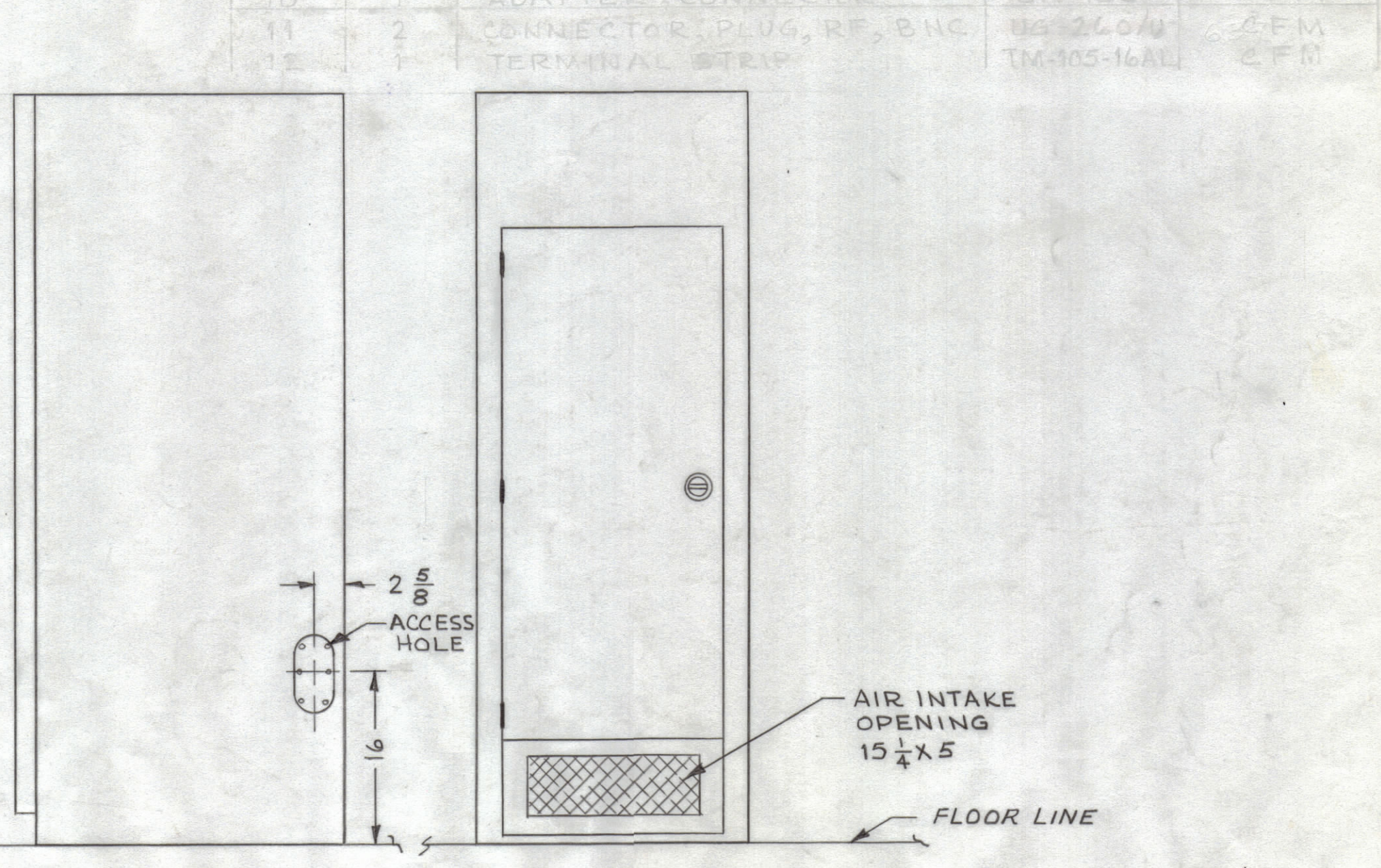
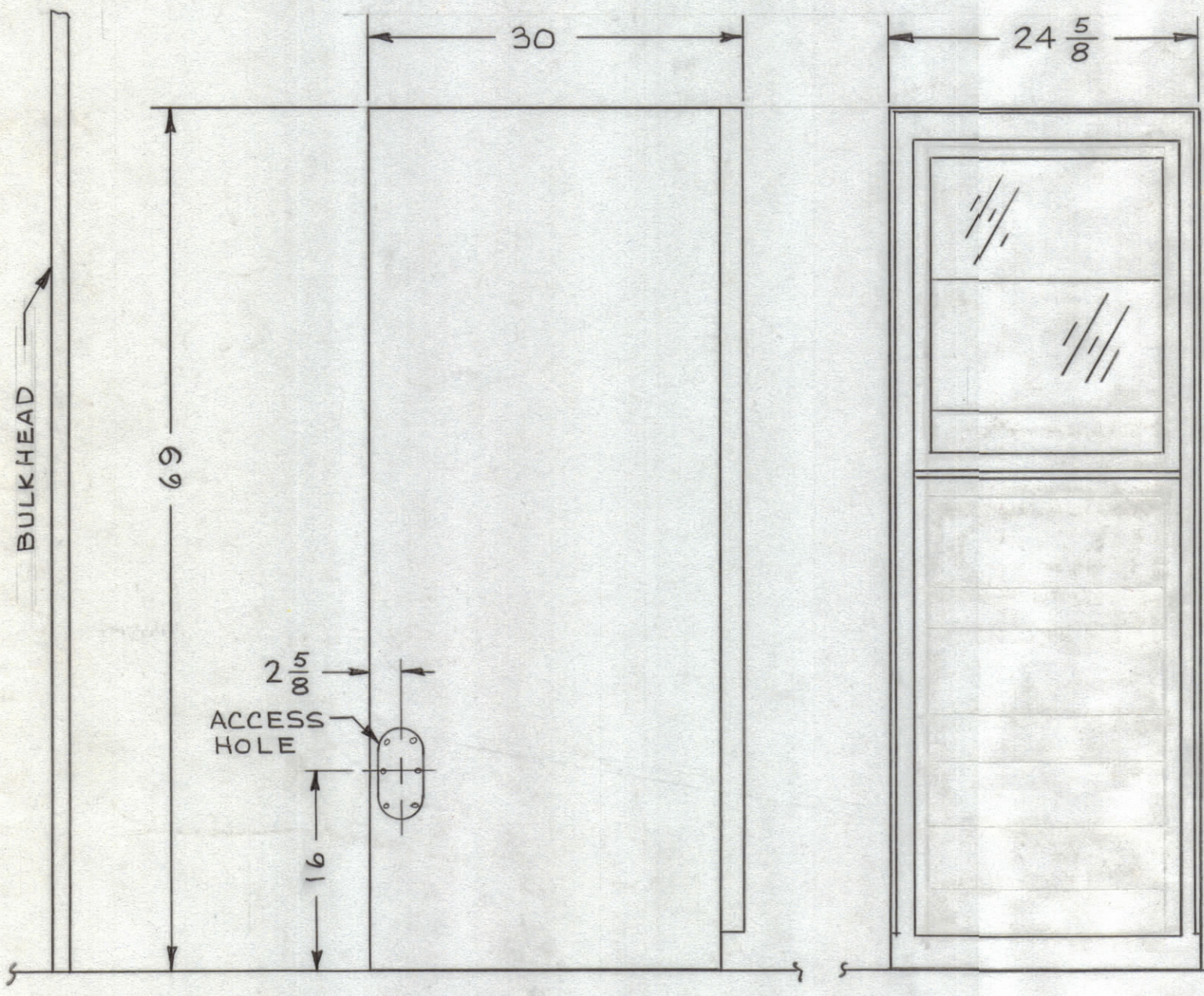


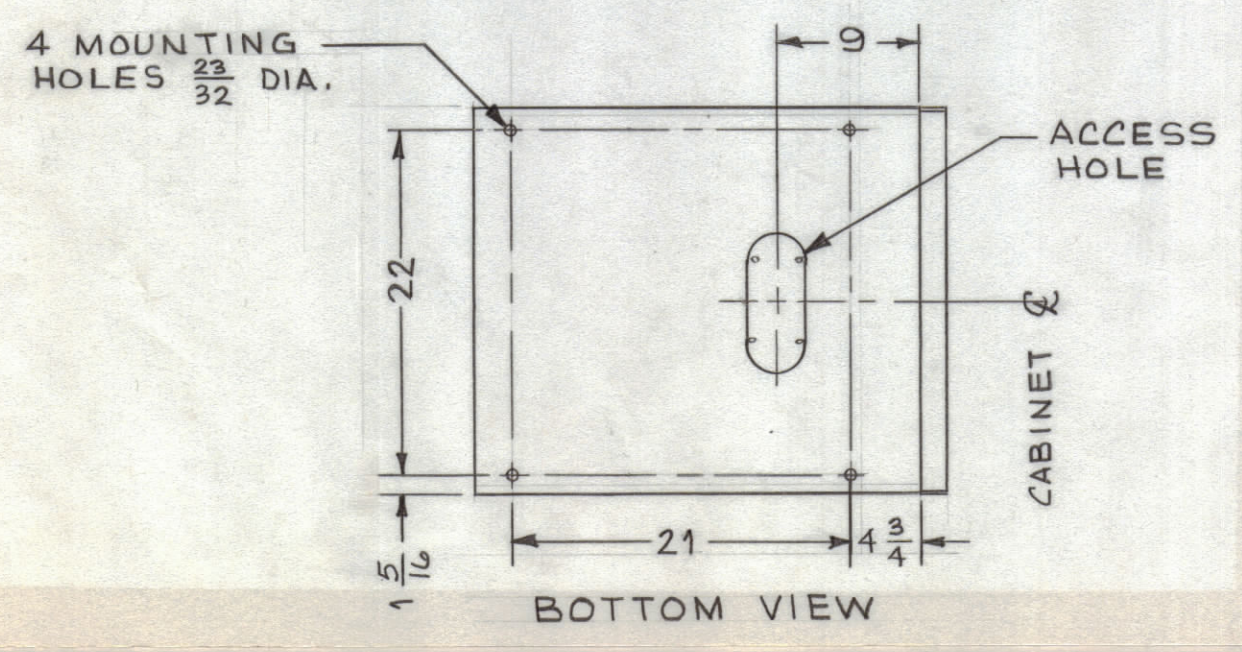
REVISIONS						
SYM	ZONE	DESCRIPTION	DATE	E.M.N.O.	DRAFT	CHKD APPD
Ø		ORIGINAL RELEASE	3/4/66			



PC NO.	QTY.	DESCRIPTION	NAVY OR COML DESIG.	FURNISHED BY (GFE OR CFM)
1	1	RECEIVING SET, RADIO	DDR-5B	CFM
2	1	CONNECTOR, PLUG, RF, QDS	PL-149	CFM
3	1	TOOL KIT, ALIGNMENT, RF & IF	KIT-170	CFM
4	1	COAX CABLE, RF, ANTENNA	RG-58C	GFE
5	2	TWISTED SHIELDED PAIR, RADIO	TTRG-6	GFE
6	2	FLEXIBLE CABLE 8-32 STUD		GFE
7	2	TERMINAL LUG, 8-32 STUD		GFE
8	1	TERMINAL LUG, 10-32 STUD		GFE
9	3	CABLE, AC POWER		GFE
10	1	CONNECTOR, PLUG, 3 PRONG	PL-177	CFM
11	1	ADAPTER, CONNECTOR	SA-105	CFM
12	2	CONNECTOR, PLUG, RF, BNC	UG-260/U	CFM
13	1	TERMINAL STRIP	TM-105-16AL	CFM



LEFT SIDE VIEW FRONT VIEW RIGHT SIDE VIEW REAR VIEW



QTY REQ	ITEM	PART NO.	DESCRIPTION	SYMBOL
BILL OF MATERIAL				
UNLESS OTHERWISE SPECIFIED DIMENSIONS ARE IN INCHES TOLERANCES ON FRACTIONS DECIMALS ANGLES ±1/64 ±.005 ±1/2°			THE TECHNICAL MATERIEL CORP. MAMARONECK, NEW YORK	
FINAL APPROVAL <i>J.E. Eaton</i> MECH. DES.		DATE 5/13/65	RECEIVING SET, RADIO, MODEL DDR-5B CUEVING IN TO AND EDITING DATA PUBLISHED DETAILS	
ELECT. DES. <i>J.C. Lomax</i>		DATE 5-13-65		
CHECKED <i>M. Johnson</i>		DATE 5-13-65		
DRAWN M TANTILLO		DATE 4-30-65		
MATERIAL		APPROVED FOR BUSHIPS	CODE 82679	SIZE C
FINISH		CONTRACT NO. N600(63133-11-126)63002	DWG. NO. ID-324	ISSUE Ø
MAXIMUM ALLOWABLE TOLERANCES HAVE BEEN DETERMINED AND ANY DEVIATIONS WILL BE CAUSE FOR REJECTION.			SCALE NONE	SHEET 2 OF 5