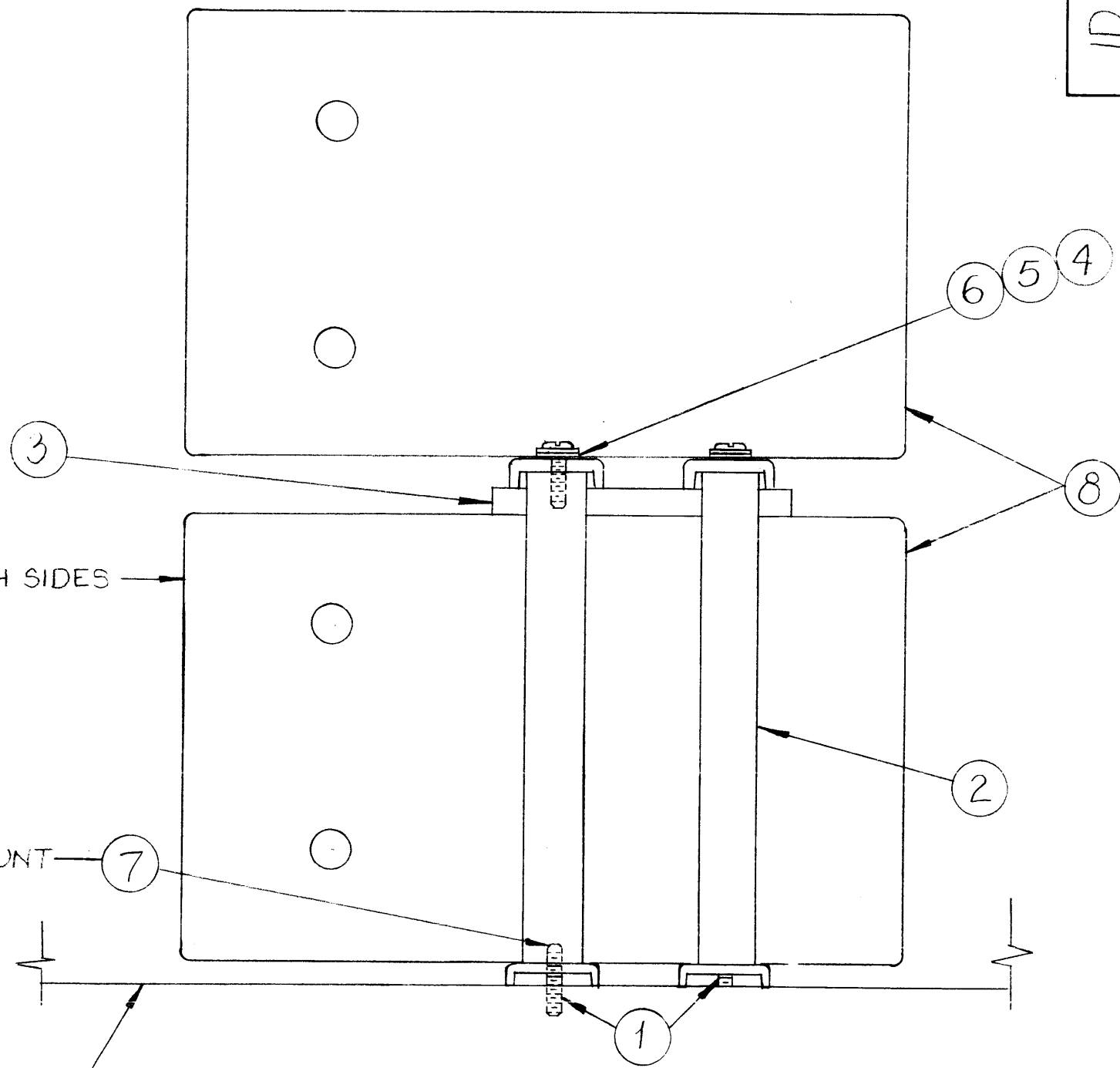


ID 301

REVISIONS

| SYM | DESCRIPTION | DATE | E.M.N. NO. | DRAFT | CHKD | APPD |
|-----|---------------------------------|---------|------------|-------|------|------|
| Ø | ORIGINAL RELEASE FOR PRODUCTION | 4-12-66 | Ø | GDL | | JL |



TYP BOTH SIDES

APPLY & MOUNT

Ø AUXILIARY FRAME

| REQ'D. | ITEM | PART NUMBER | DESCRIPTION | SYMBOL |
|--------|------|---------------|-----------------------------|--------|
| 2 | 8 | TF275 | XFMR, PWR, FWD AUTO | |
| 4 | 7 | GL105 | LACQUER, VARN, OIL | |
| 4 | 6 | FW25HBN | WASHER, FLAT | |
| 4 | 5 | LWS25MRN | LOCKWASHER, SPLIT | |
| 4 | 4 | SCHH2520BN16 | SCREW, HEX HEAD | |
| 1 | 3 | RY157-1 | 3/16 NEOPRENE, 4 X 6 | |
| 4 | 2 | TE 2520 AE90R | STANDOFF, VOLTAGE REGULATOR | |
| 4 | 1 | SM2520SN2.500 | 1/4-20X THD ROD 2 1/2 | |

| BUDETTI | | LIST OF MATERIAL | | | |
|-------------------------------------------------------------------------------------------------------------|--|------------------------------------------------------|-----------------|--------------------------------------------------------|--|
| MATERIAL | | THE TECHNICAL MATERIEL CORP. MAMARONECK, NEW YORK | | | |
| FINISH | | TITLE TF 275 INSTALLATION | | | |
| UNLESS OTHERWISE SPECIFIED DIMENSIONS ARE IN INCHES AND INCLUDE CHEMICALLY APPLIED OR PLATED FINISHES | | DRAWN wtw | DATE 3/29/66 | FINAL APPROVAL <i>[Signature]</i> DATE 4/7/66 | |
| DECIMALS .X ± .05 .XX ± .01 .XXX ± .005 | | CHECKED JLB | DATE 4-7-66 | ID 301 | |
| FRACTIONS ± 1/64 ANGLES ± 0° 30' | | ELECT. DES QA | DATE | REV. LTR. | |
| TOLERANCES | | MECH. DES QR | DATE | SHEET | |

| Q'TY./UNIT | MODEL USED ON | ASS'Y. NO. |
|-------------|---------------|------------|
| 1 | GPT10KAV7 | |
| SCALE | CODE | |
| NO TO SCALE | | |

THE CONTENTS OF THIS DRAWING ARE THE EXCLUSIVE PROPERTY OF THE TECHNICAL MATERIEL CORP. ITS UNAUTHORIZED USE OR REPRODUCTION IN WHOLE OR IN PART IS STRICTLY FORBIDDEN.

NOTES