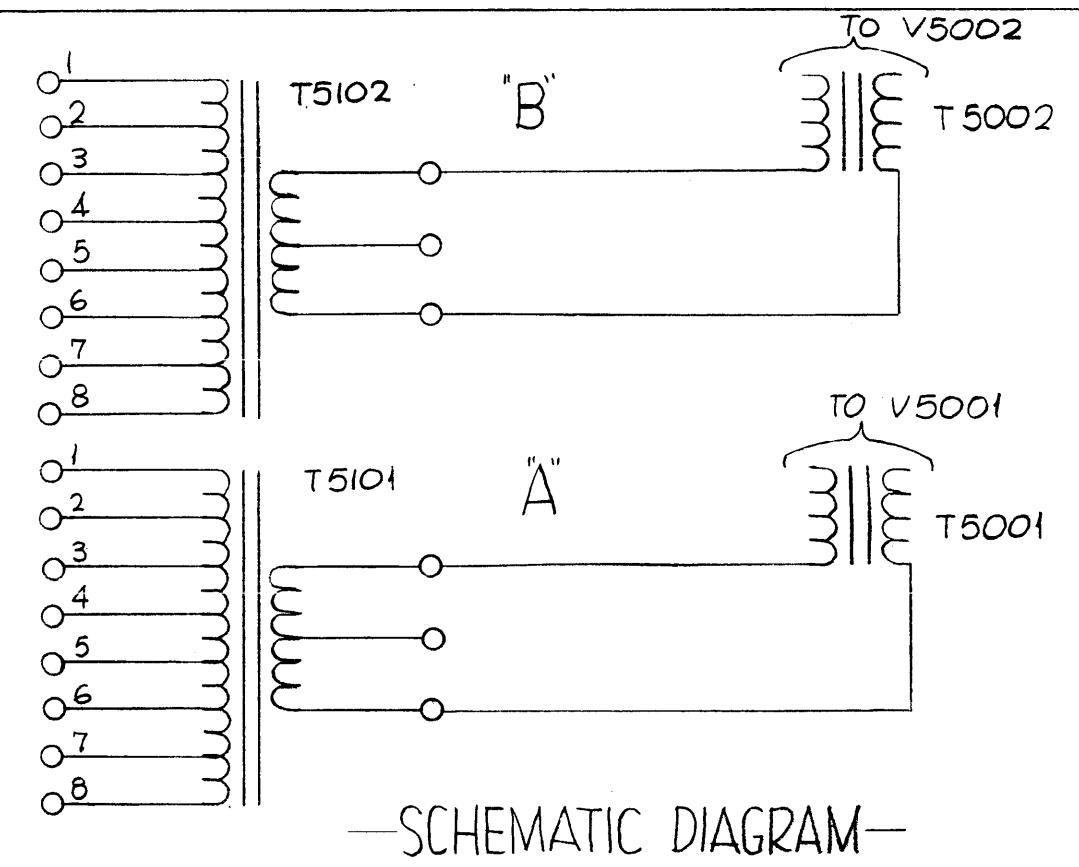
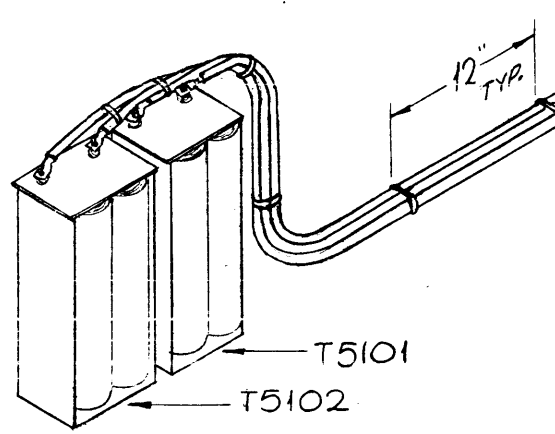
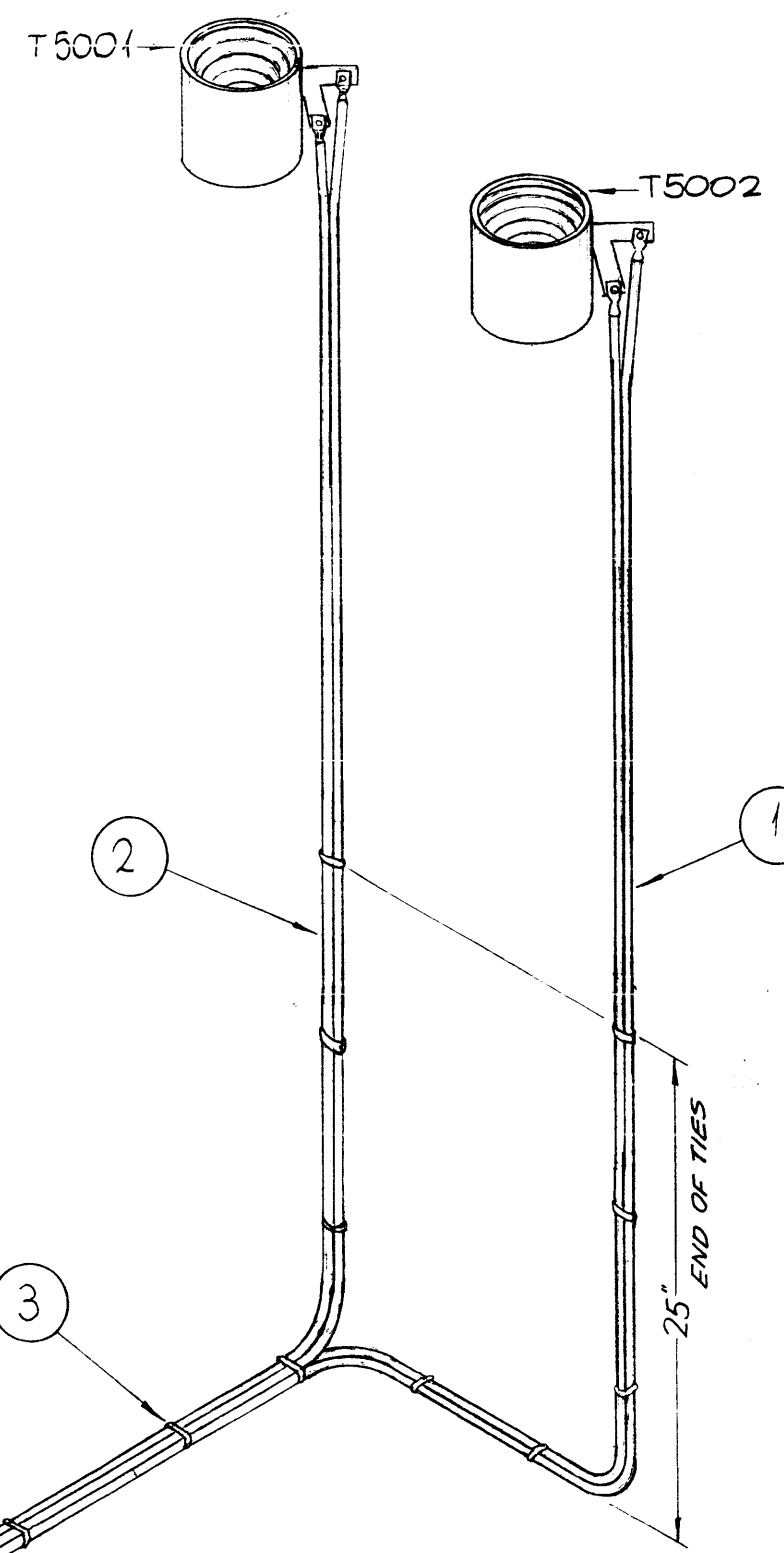


ID-295

| REVISIONS | | | | | |
|-----------|---------------------------------|---------|-----------|-------|-----------|
| SYM | DESCRIPTION | DATE | F.M.N. NO | DRAFT | CHKD APPD |
| 0 | ORIGINAL RELEASE FOR PRODUCTION | 5-13-64 | 0 | A.M. | |



| REQ'D. | ITEM | PART NUMBER | DESCRIPTION | SYMBOL |
|--------|------|----------------|-----------------------------------|--------|
| | 3 | CU-142-5-0 | STRAP, CABLE, ADJUSTABLE, PLASTIC | BLACK |
| | 2 | CA-793-31-11-6 | LEAD, ELECTRICAL | |
| | 2 | CA-793-32-13-6 | LEAD, ELECTRICAL | |

| F. BUDETTI | | LIST OF MATERIAL | |
|---|--|--|--------------|
| MATERIAL | | THE TECHNICAL MATERIEL CORP. MAMARONECK, NEW YORK | |
| FINISH | | TITLE CABLE, INSTALLATION | |
| UNLESS OTHERWISE SPECIFIED DIMENSIONS ARE IN INCHES AND INCLUDE CHEMICALLY APPLIED OR PLATED FINISHES | | DRAWN SRG | DATE 2-6-64 |
| DECIMALS X ± .05 .XX ± .01 .XXX ± .005 | | CHECKED aa | DATE |
| FRACTIONS ± 1/64 ANGLES ± 0° 30' | | ELEC. DES. CB | DATE 5/13/64 |
| TOLERANCES | | MECH. DES. AC | DATE |
| THE CONTENTS OF THIS DRAWING ARE THE EXCLUSIVE PROPERTY OF THE TECHNICAL MATERIEL CORP. ITS UNAUTHORIZED USE OR REPRODUCTION IN WHOLE OR IN PART IS STRICTLY FORBIDDEN. | | FINAL APPROVAL KDC ID-295 | |
| | | SHEET | |
| | | REV. LTR. | |

| Q'TY./UNIT | MODEL USED ON | ASS'Y. NO. |
|------------|---------------|------------|
| 1 | GPT-200K | AX-393 |
| SCALE | CODE | |
| # | A | |