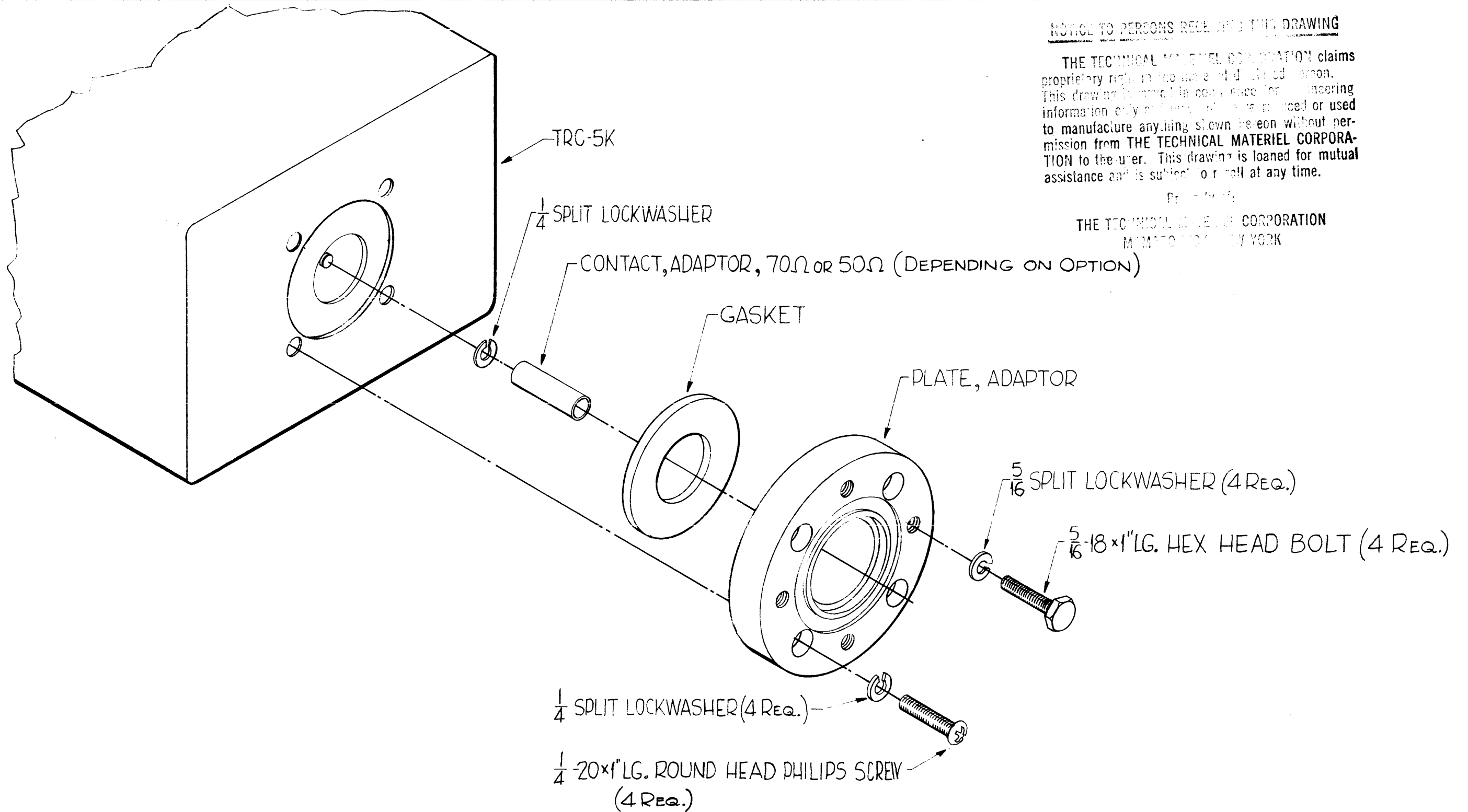


ID-263

NOTICE TO PERSONS RECEIVING THIS DRAWING

THE TECHNICAL MATERIEL CORPORATION claims proprietary rights in the above disclosed information. This drawing is loaned in confidence for engineering information only and is not to be reproduced or used to manufacture anything shown hereon without permission from THE TECHNICAL MATERIEL CORPORATION to the user. This drawing is loaned for mutual assistance and is subject to recall at any time.

THE TECHNICAL MATERIEL CORPORATION  
MAMARONECK, NEW YORK



SYM	DESCRIPTION	DATE	CH. NO.	DRAFTS	CHECKER	ENG. APP.
UNLESS OTHERWISE SPECIFIED: DIMENSIONS ARE IN INCHES TOLERANCES ON FRACTIONS ± 1/64    DECIMALS ± .005    ANGLES ± 1/2°		SCALE: MAXIMUM ALLOWABLE TOLERANCES HAVE BEEN DETERMINED AND ANY DEVIATIONS WILL BE CAUSE FOR REJECTION. REMOVE ALL BURRS AND SHARP EDGES				

REQ. PER UNIT	MODEL	SECTION	ASS'Y. NO.	DATE
	TRC-5K			10-26-61
USED ON				

REQ. ITEM	PART NO.	DESCRIPTION	SYMBOL
		THE TECHNICAL MATERIEL CORP. MAMARONECK, NEW YORK	
STOCK SIZE		INSTALLATION FOR AX-271EAX-2721 TO TRC-5K	
MATERIAL			
TYPE & TEMPER		HEAT TREAT. SPEC.	DRAWN <i>DD</i>
FINISH & SPEC. NO.		ELEC. DES. APP.	CHECKER <i>aa</i>
		MECH. DES. APP.	FINAL APPROVAL <i>JP</i>
		ID-263	