

G

F

E

D

C

B

A

G

F

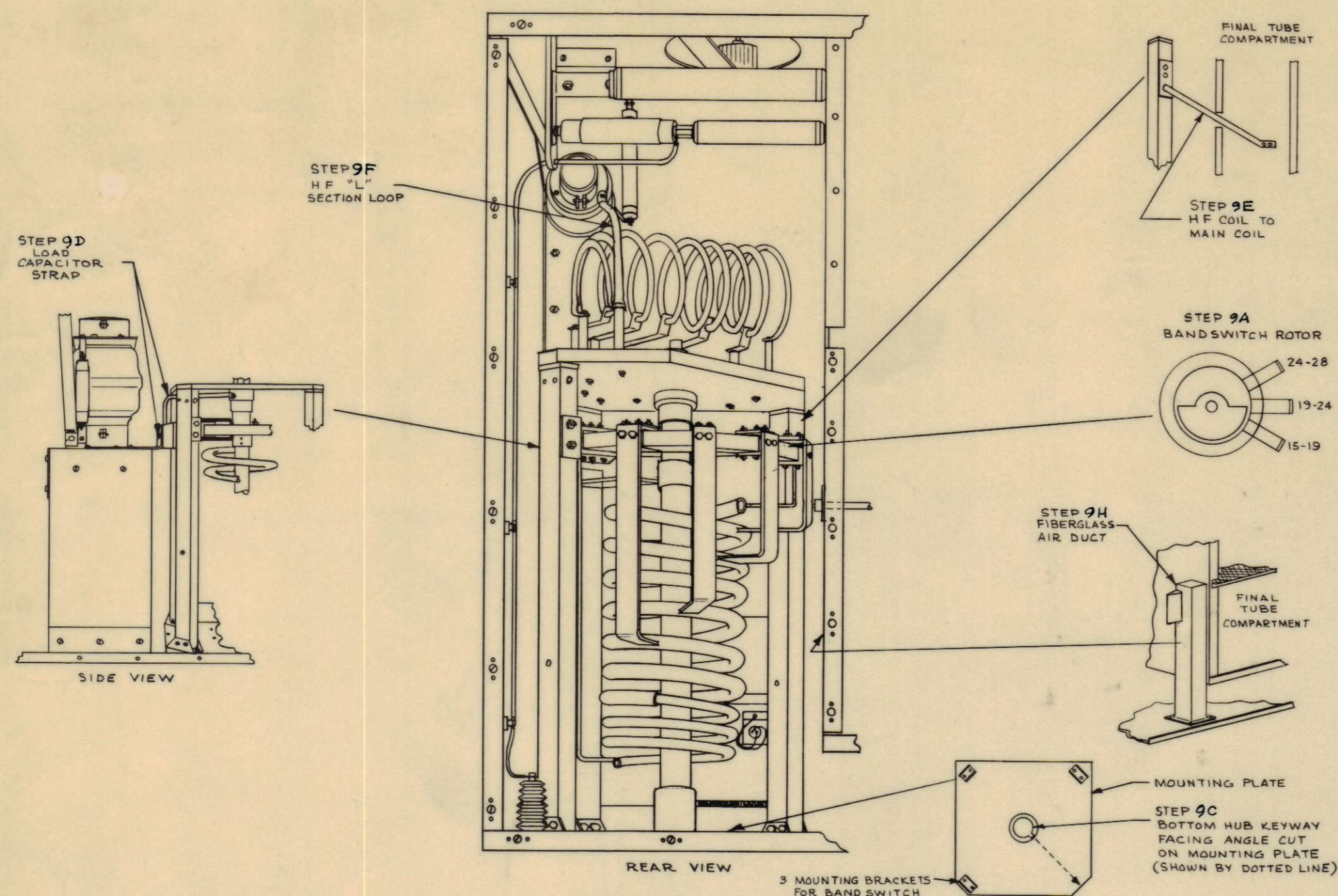
E

D

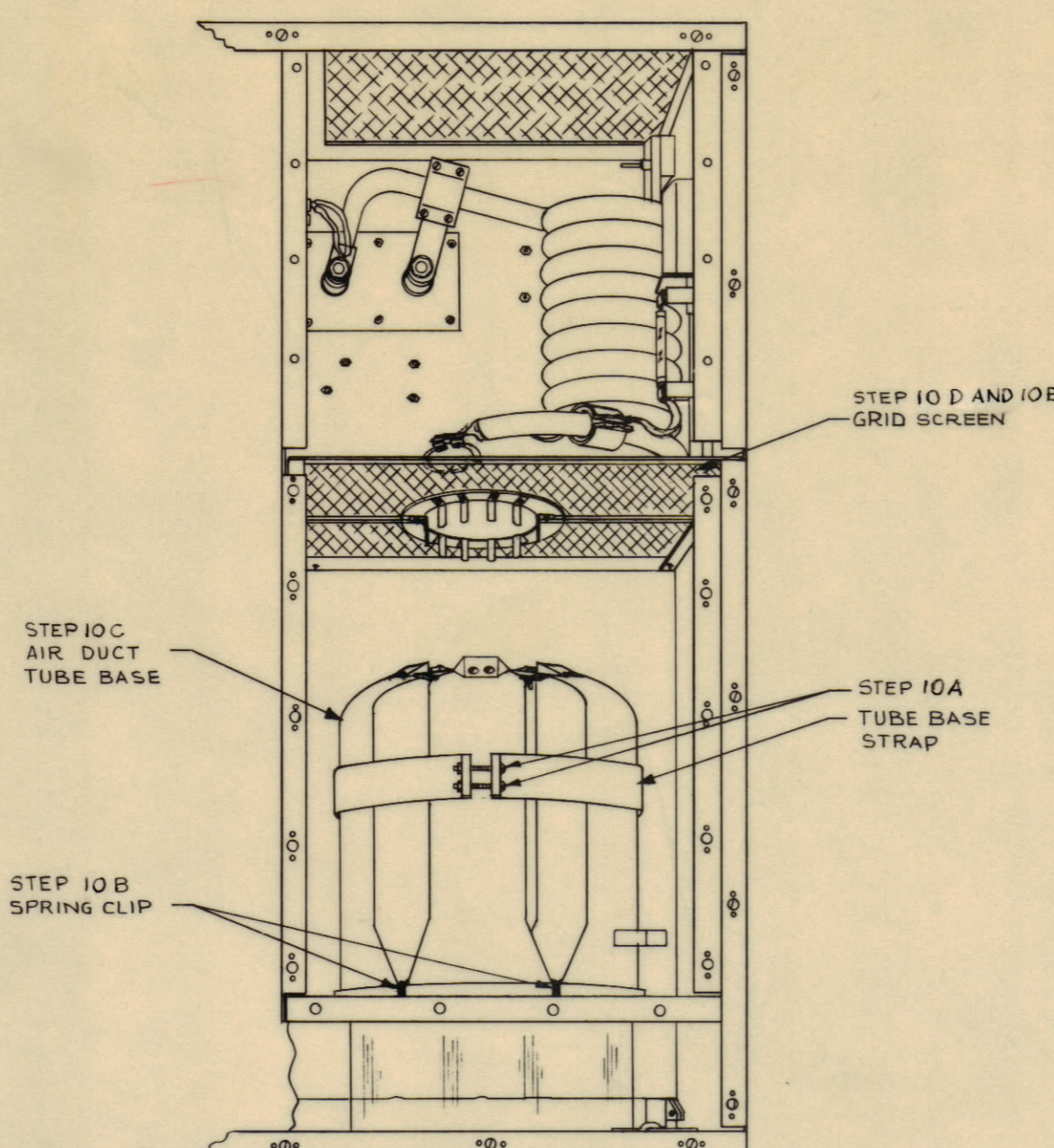
C

B

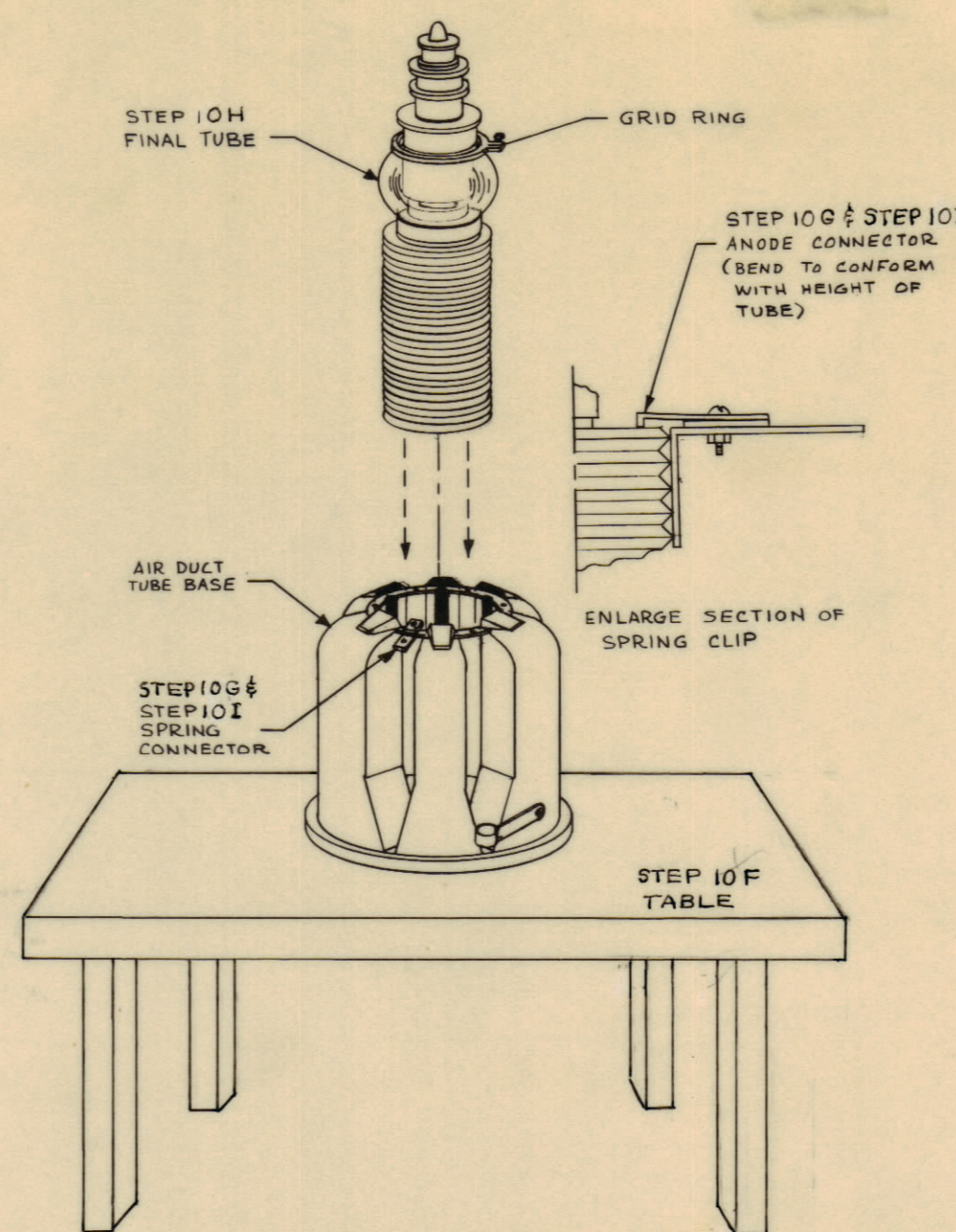
A



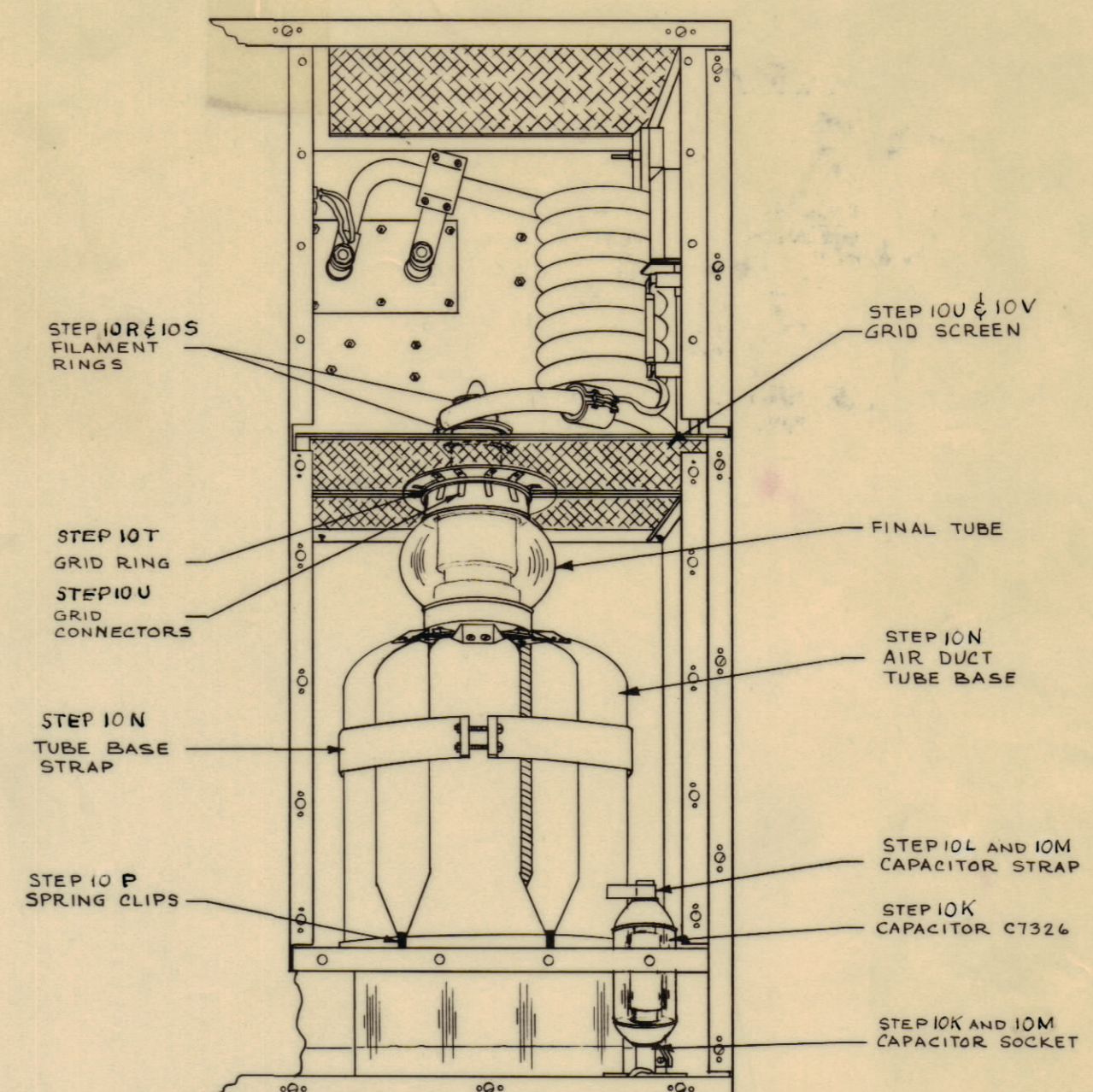
REF: STEPS 9A THRU 9H



REF: STEPS 10A THRU 10E



REF: STEPS 10F THRU 10J



REF: STEPS 10K THRU 10V

NOTE: THIS DRAWING TO BE USED IN CONJUNCTION
 WITH THE FOLLOWING SPECIFICATIONS:
 FOR KIT-105, USE S595
 FOR KIT-106, USE S596

1D-258

NOTICE TO PERSONS RECEIVING THIS DRAWING
 THE TECHNICAL MATERIEL CORPORATION claims proprietary right in the material disclosed herein. This drawing is issued in confidence for engineering information only and may not be reproduced or used to manufacture anything shown herein without permission from THE TECHNICAL MATERIEL CORPORATION to the user. This drawing is loaned for mutual assistance and is subject to recall at any time.
 Property of:
 THE TECHNICAL MATERIEL CORPORATION
 MAMARONECK, NEW YORK

SYM	ZONE	DESCRIPTION	DATE	CH. NO.	DRAFTS	CHECKER	ENG. APP.
UNLESS OTHERWISE SPECIFIED:			SCALE				
DIMENSIONS ARE IN INCHES			MAXIMUM ALLOWABLE TOLERANCES HAVE BEEN DETERMINED AND ANY DEVIATIONS WILL BE CAUSE FOR REJECTION. REMOVE ALL BURRS & SHARP EDGES				
TOLERANCES ON FRACTIONS ± 1/64			DECIMALS ± .005		ANGLES ± 1/2°		

REQ. PER UNIT	MODEL	SECTION	ASSY. NO.	DATE
1	KIT-106			8/16/61
1	KIT-105			8/16/61

REQ. ITEM	PART NO.	DESCRIPTION	SYMBOL
THE TECHNICAL MATERIEL CORP. MAMARONECK, NEW YORK			
INSTALLATION OF BANDSWITCH & PA TUBE FOR KIT-105, KIT-106			
DRAWN		CHECKED	FINAL APPROVAL
L.B.			1D-258
FINISH & SPEC. NO.		ELEC. DES. APP.	MECH. DES. APP.
		SHEET OF	