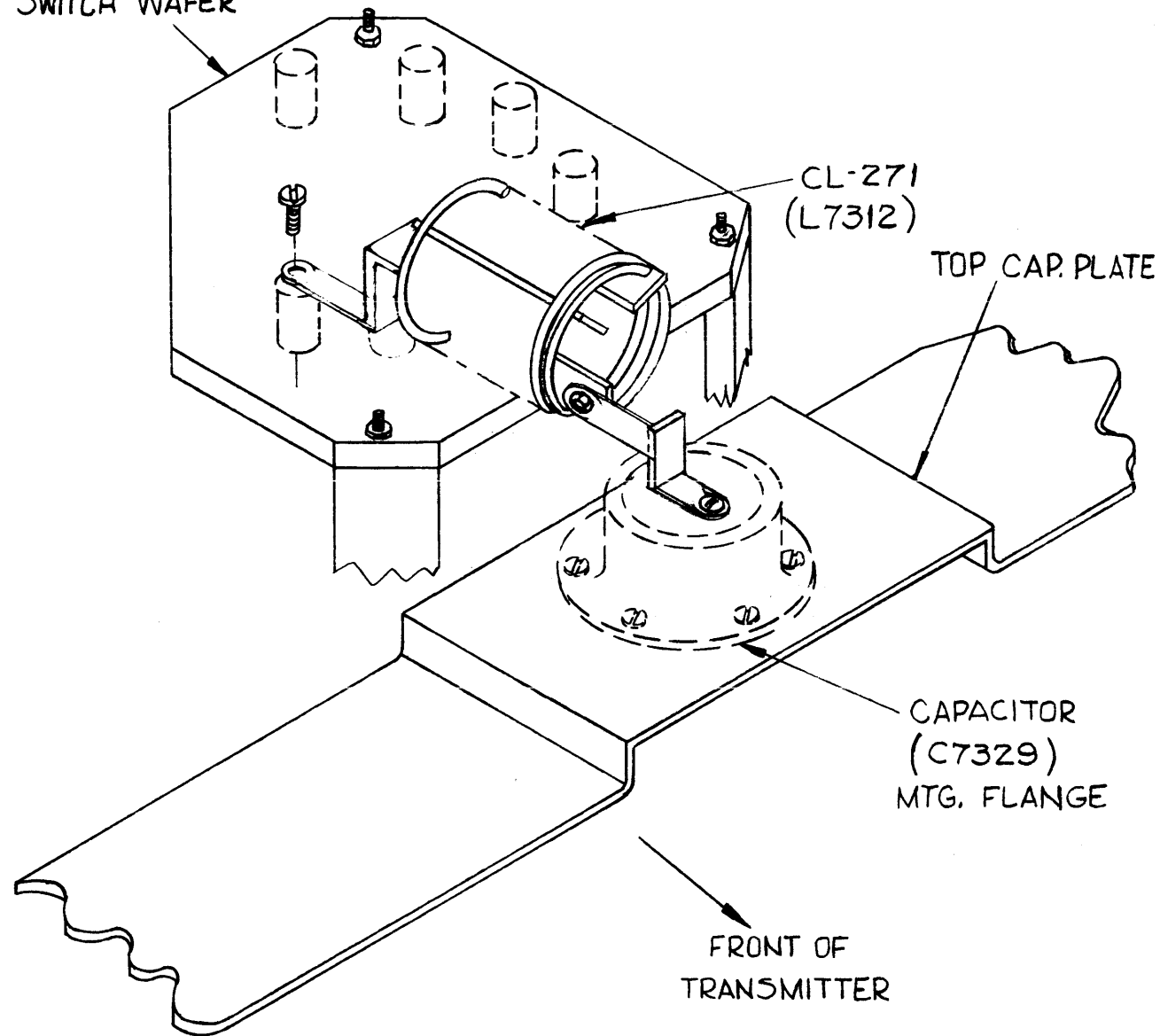


ID-254 A

"L" SECTION SWITCH WAFER



CL-271  
(L7312)

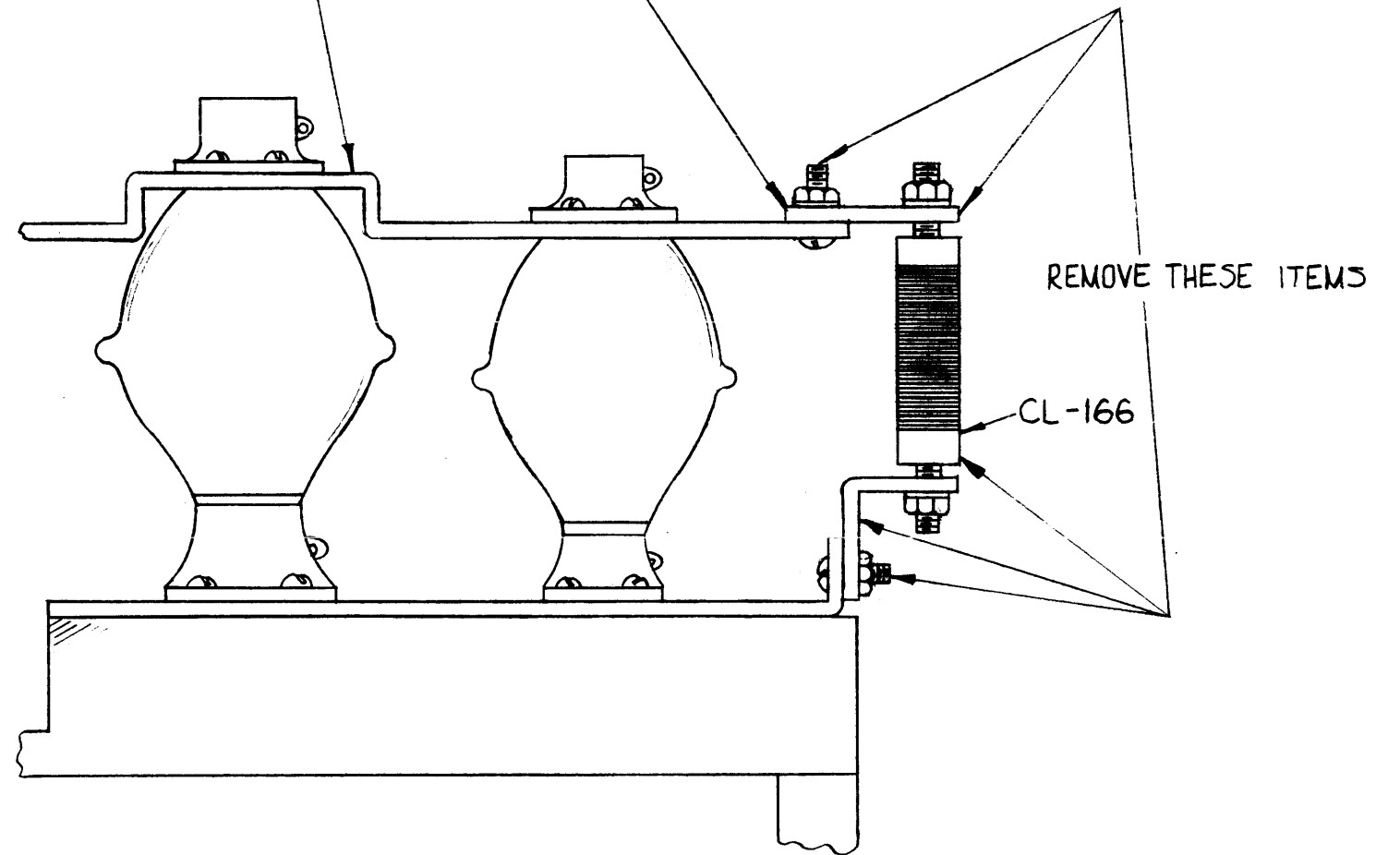
TOP CAP. PLATE

CAPACITOR  
(C7329)  
MTG. FLANGE

FRONT OF  
TRANSMITTER

NOTE  
ON OLDER MODELS, THE TOP CAPACITOR PLATE MAY  
BE STRAIGHT (WITHOUT TOPHAT)

THE COIL MAY HAVE SLIGHTLY DIFFERENT  
MOUNTING BRACKETS



REMOVE THESE ITEMS

CL-166

GPT-40K  
PA DECK

REQ.	ITEM	PART NO.	DESCRIPTION	SYMBOL
			THE TECHNICAL MATERIEL CORP. MAMARONECK, NEW YORK	
			CL-271 INSTALLATION DIAGRAM FOR GPT-40K	
			RUZZO	QCB
			DRAWN	CHECKER
			FINAL APPROVAL	
			ID-254 A	
			ELEC. DES. APP.	MECH. DES. APP.

DATE	CH. NO.	DRAFTS	CHECKER	ENG. APP.
9-21-61	5598	EA	WB	DR

REQ. PER UNIT	MODEL	SECTION	ASS'Y. NO.	DATE
	GPT-40K	PA DECK		8-1-61
USED ON				

UNLESS OTHERWISE SPECIFIED:		SCALE:	
DIMENSIONS ARE IN INCHES		MAXIMUM ALLOWABLE TOLERANCES HAVE BEEN DETERMINED AND ANY DEVIATIONS WILL BE CAUSE FOR REJECTION.	
TOLERANCES ON FRACTIONS ± 1/64 DECIMALS ± .05 ANGLES ± 1/2°		REMOVE ALL BURRS AND SHARP EDGES	