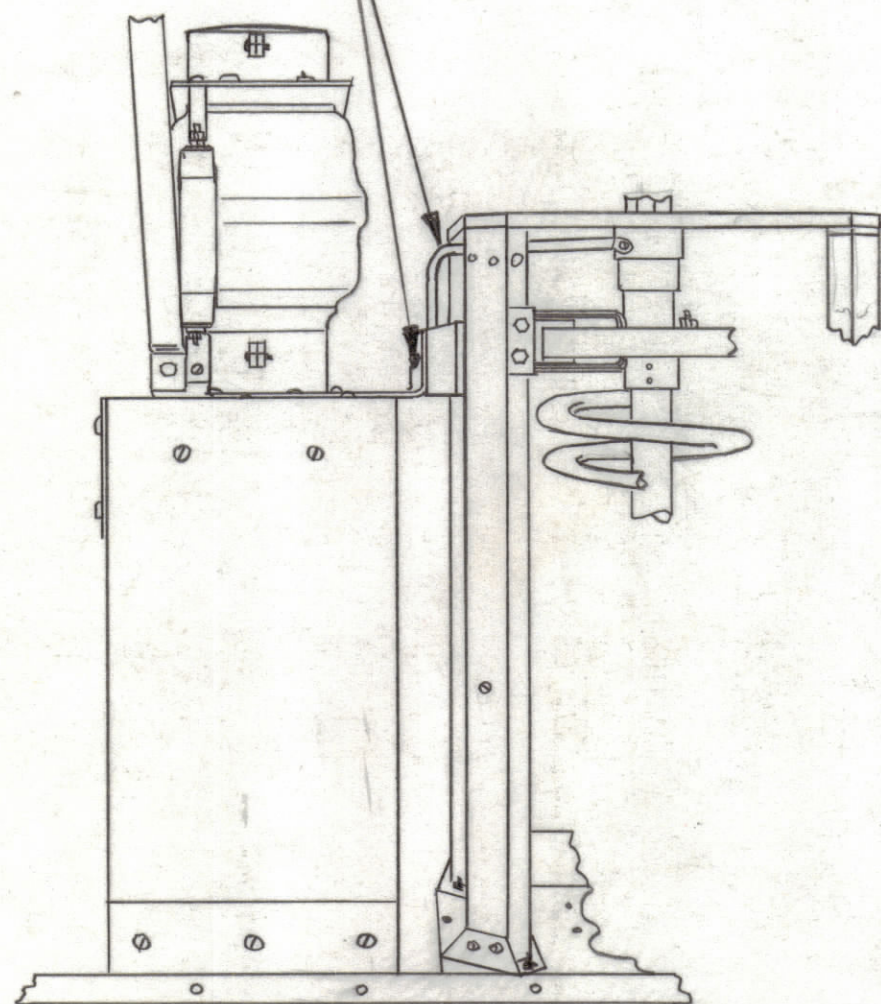


NOTICE TO PERSONS RECEIVING THIS DRAWING

THE TECHNICAL MATERIEL CORPORATION claims proprietary right in the material disclosed hereon. This drawing is issued in confidence for engineering information only and may not be reproduced or used to manufacture anything shown hereon without permission from THE TECHNICAL MATERIEL CORPORATION to the user. This drawing is loaned for mutual assistance and is subject to recall at any time.

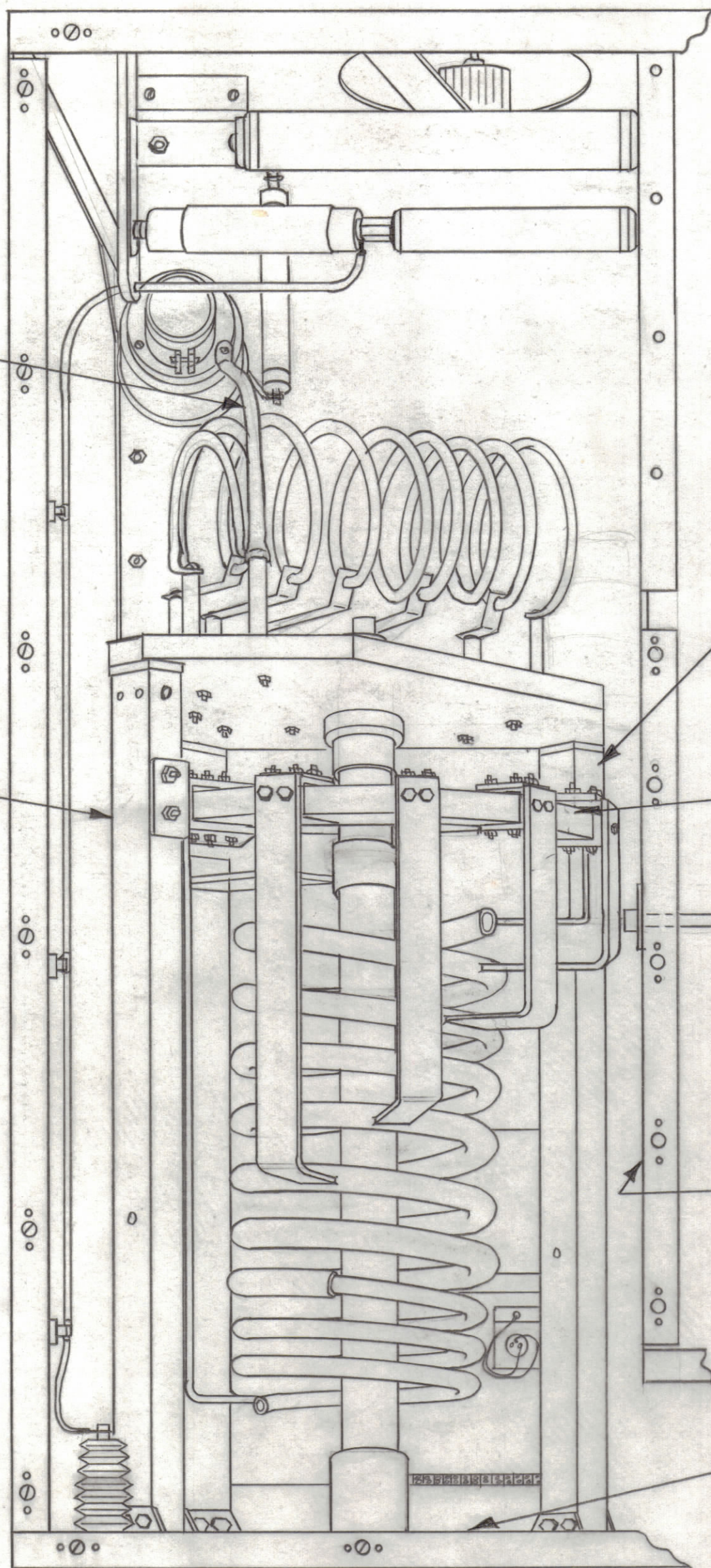
Property of:
THE TECHNICAL MATERIEL CORPORATION
 MAMARONECK, NEW YORK

STEP 4
 LOAD
 CAPACITOR
 STRAP



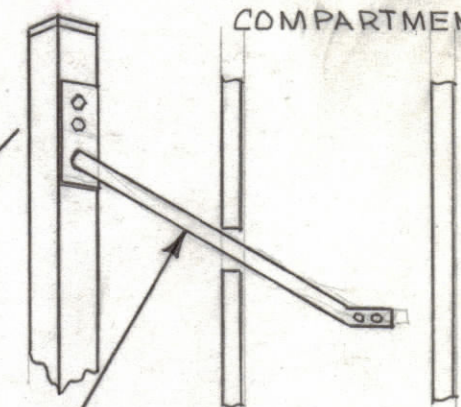
SIDE VIEW

STEP 6
 HF "L"
 SECTION LOOP



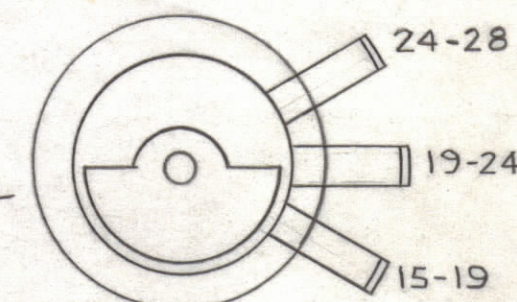
REAR VIEW

FINAL TUBE
 COMPARTMENT

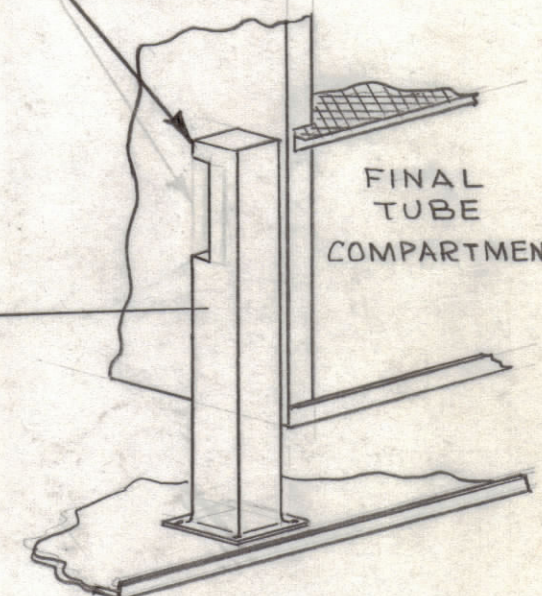


STEP 5
 HF COIL TO
 MAIN COIL

STEP 1
 BANDSWITCH ROTOR

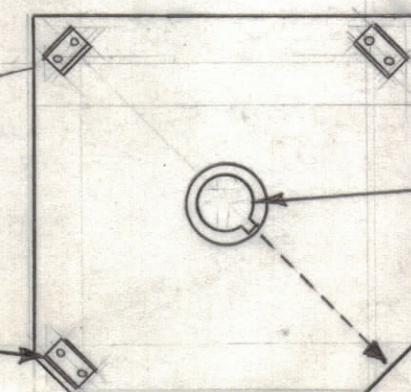


STEP 8
 FIBERGLASS
 AIR DUCT



FINAL
 TUBE
 COMPARTMENT

3 MOUNTING BRACKETS
 FOR BAND SWITCH



MOUNTING PLATE

STEP 3
 BOTTOM HUB KEYWAY
 FACING ANGLE CUT
 ON MOUNTING PLATE
 (SHOWN BY DOTTED LINE)

FIGURE 7

SYM	ZONE	DESCRIPTION	DATE	CH. NO.	DRAFTS	CHECKER	ENG. APP.
UNLESS OTHERWISE SPECIFIED:			SCALE				
DIMENSIONS ARE IN INCHES			MAXIMUM ALLOWABLE TOLERANCES HAVE BEEN DETERMINED AND ANY DEVIATIONS WILL BE CAUSE FOR REJECTION. REMOVE ALL BURRS & SHARP EDGES				
TOLERANCES ON			ANGLES ± 1/2°				
FRACTIONS ± 1/64			DECIMALS ± .005				

REQ. PER UNIT	MODEL	SECTION	ASS'Y. NO.	DATE
	GPT-40K			1-27-61
USED ON				

REQ. ITEM	PART NO.	DESCRIPTION	SYMBOL
THE TECHNICAL MATERIEL CORP., MAMARONECK, NEW YORK			
BANDSWITCH ASSEMBLY			
GPT-40K RADIO TRANSMITTER			
MJT	RB	DB	
DRAWN	CHECKED	FINAL APPROVAL	
RB		ID-252	
FINISH & SPEC. NO.		ELEC. DES. APP.	MECH. DES. APP.
		SHEET OF	