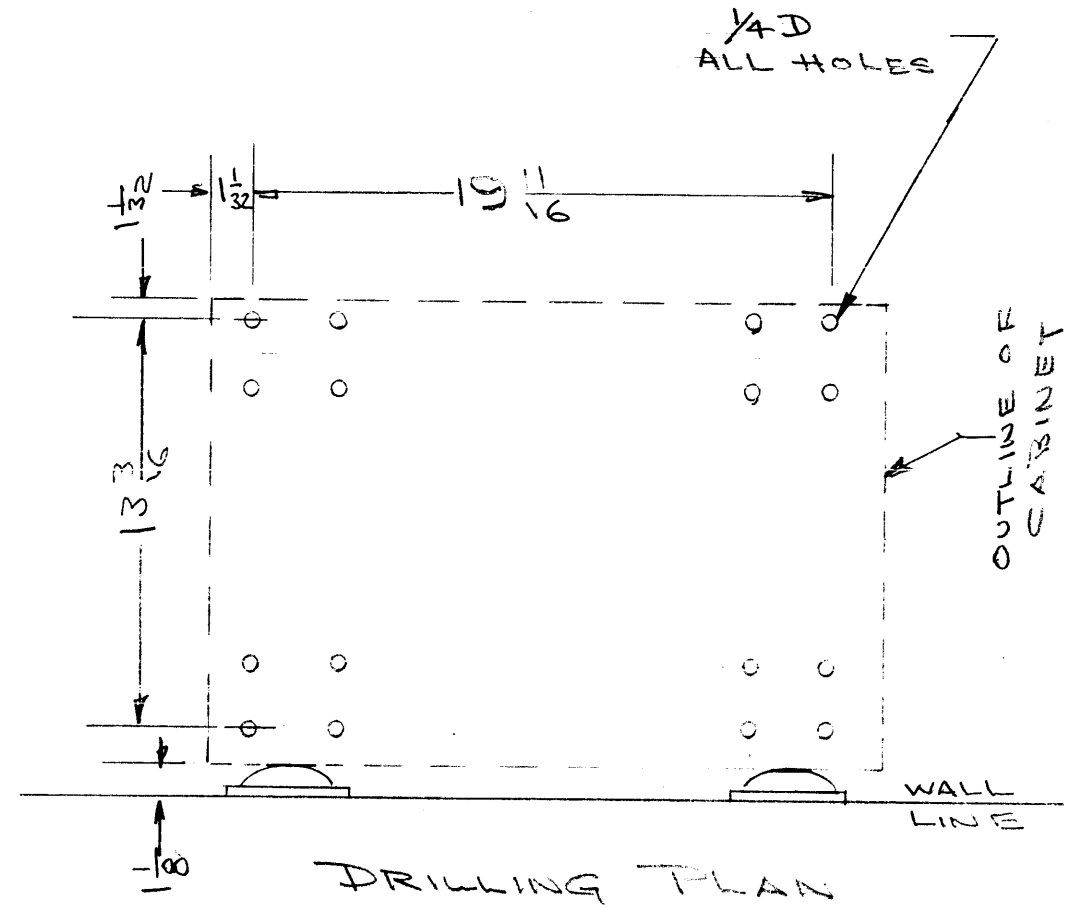
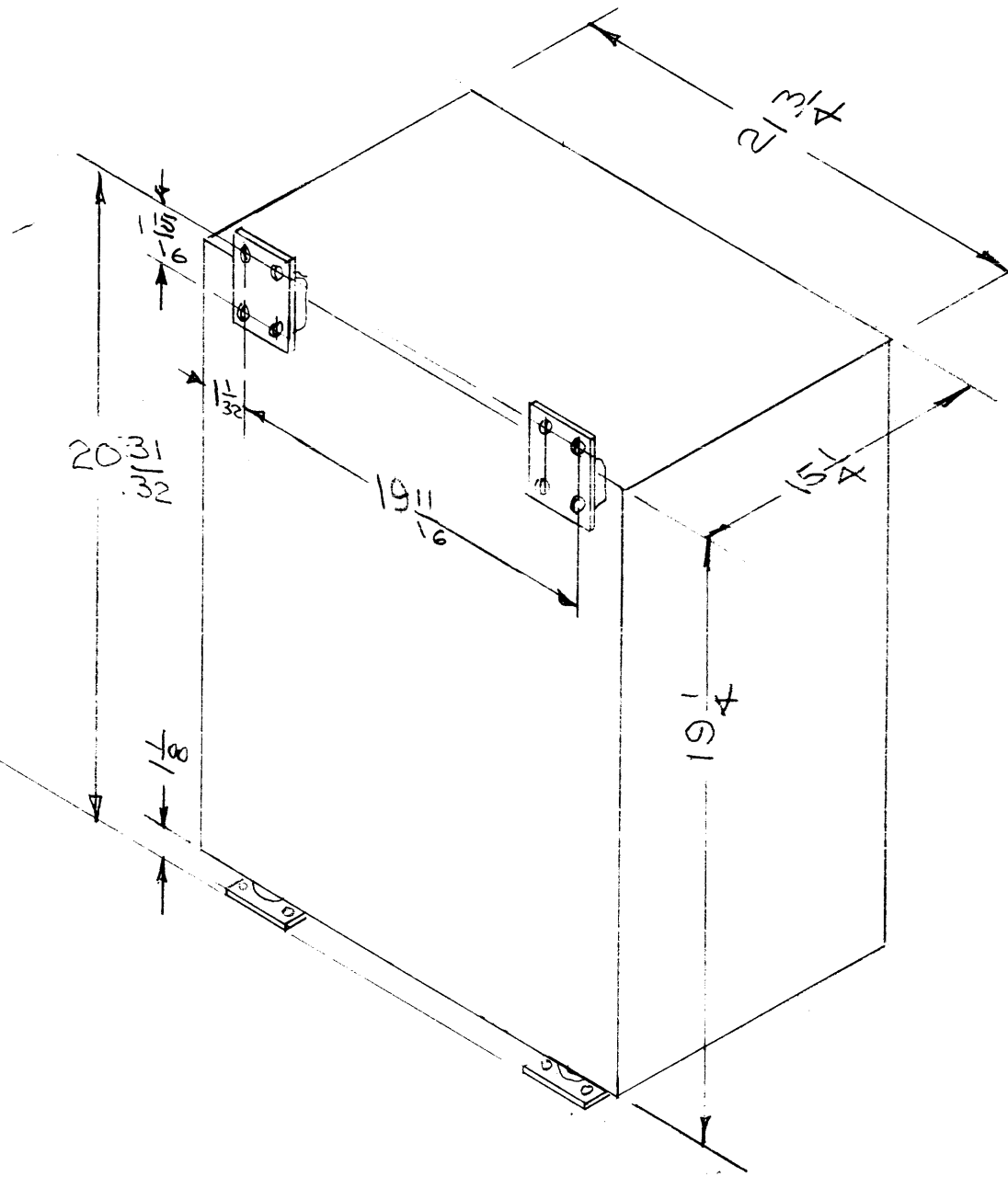


MOUNTING DIMENSIONS FOR SHOCK ABSORBERS



PROPERTY OF PERIODIC PUBLICATIONS DRAWING

THE TECHNICAL MATERIEL CORPORATION claims proprietary right in the material disclosed hereon. This drawing is issued in confidence for engineering information only and may not be reproduced or used to manufacture anything shown hereon without permission from THE TECHNICAL MATERIEL CORPORATION to the user. This drawing is loaned for mutual assistance and is subject to recall at any time.

Property of:

THE TECHNICAL MATERIEL CORPORATION  
MAMARONECK, NEW YORK

A	1	19 11/16 WAS 17 3/16	830 57	1	SC	<i>[Signature]</i>	<i>[Signature]</i>	
ISSUE	ITEM	CHANGED FROM	DATE	CH. NO.	DRAFTS	CHECKER	ENG. APP.	
TOLERANCES			SCALE:					
DEC. DIM. ±			MAXIMUM ALLOWABLE TOLERANCES HAVE BEEN DETERMINED AND ANY DEVIATIONS WILL BE CAUSE FOR REJECTION. REMOVE ALL BURRS AND SHARP EDGES					
FRAC. DIM. ±								
ANGULAR DIM. ±								

REQ. PER UNIT	MODEL	PROJECT NO.	ASS'Y. NO.	DATE
USED ON				

REQ. ITEM	PART NO.	DESCRIPTION	SYMBOL
		<b>THE TECHNICAL MATERIEL CORP. MAMARONECK, NEW YORK</b>	
STOCK SIZE		CABINET, SHOCK MOUNTED	
MATERIAL		FOR GPR-90RX & MSR-1	
TYPE & TEMPER	HEAT TREAT. SPEC.	DRAWN	CHECKED
		SC	<i>[Signature]</i>
FINISH & SPEC. NO.		ELEC. DES. APP.	MECH. DES. APP.
		ID-206 A	