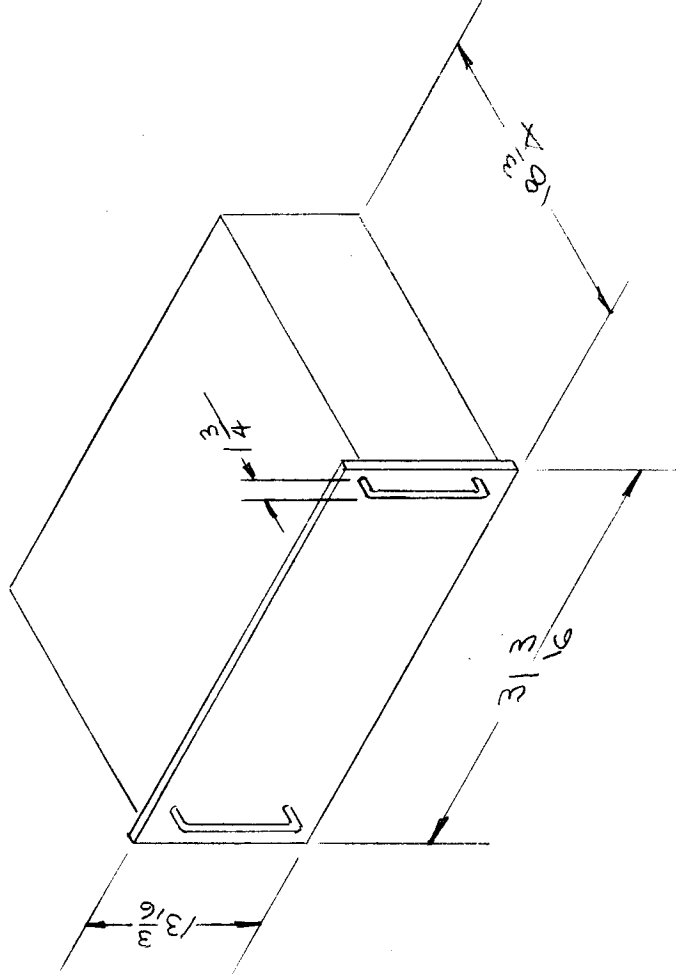


REQ. PER UNIT	MODEL	USED ON	DATE
		ASSY. NO.	
			ID-188



REQ. ITEM	CHANGED FROM	DATE	CH. NO.	DRAFTS	CHECKER	ENG. APP.	REQ. ITEM	PART NO.	DESCRIPTION	SYMBOL
									THE TECHNICAL MATERIEL CORP. MAMARONECK. NEW YORK	
									DIMENSIONAL OUTLINE DRAWING	
									PANEL CHASSIS ASSY (A-1279)	
									3/11/57	A. J. J.
									DRAWN	FINAL APPROVAL
									CHECKED	
									ELEC. DES. APP.	ID-188
									MECH. DES. APP.	

TOLERANCES

DEC. DIM. ±
 FRAC. DIM. ±
 ANGULAR DIM. ±

SCALE:
 MAXIMUM ALLOWABLE TOLERANCES HAVE BEEN DETERMINED AND ANY DEVIATIONS WILL BE CAUSE FOR REJECTION.
 REMOVE ALL BURRS AND SHARP EDGES