

IF IT IS FOUND DESIRABLE TO CHANGE ANY TOLERANCE OR OTHER DETAIL SPECIFIED ON THIS DRAWING NOTIFY THE PURCHASER PROMPTLY.

MAXIMUM ALLOWABLE TOLERANCES HAVE BEEN DETERMINED AND DEVIATIONS WILL BE CAUSE FOR REJECTION. REMOVE ALL BURRS AND SHARP EDGES

ID-138

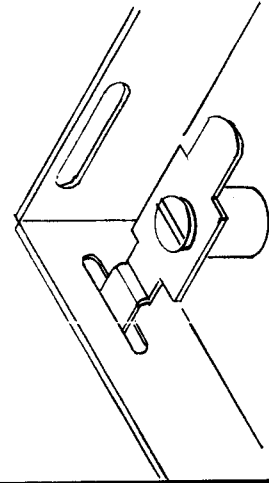
USED ON

DATE

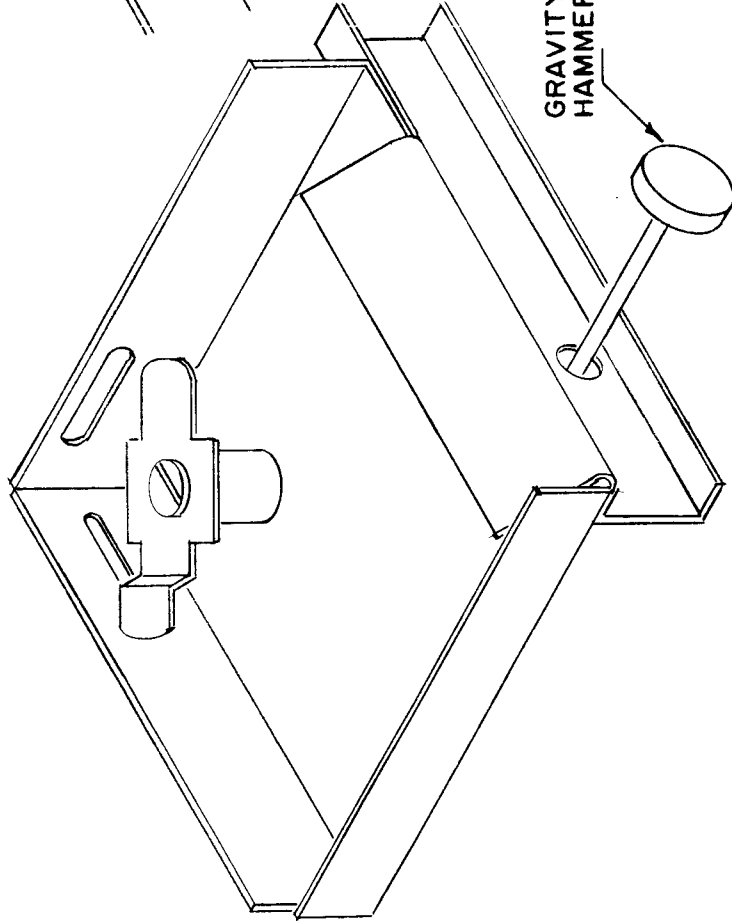
ASSY. NO.

PROJECT NO.

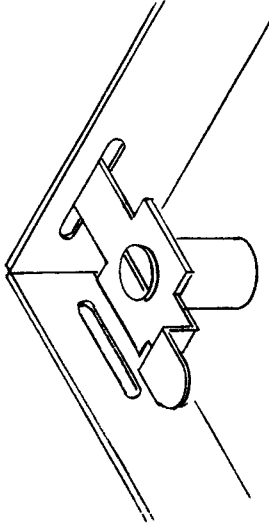
MODEL



LOCKED IN "OFF" FIG 1 (Q)



NEUTRAL POSITION FIG 1 (b)



LOCKED IN "READY" FIG 1 (C)

FIG 1 (C)

REQ. ITEM	PART NO.	DESCRIPTION	SYMBOL
		THE TECHNICAL MATERIEL CORP. MAMARONECK. NEW YORK	
		INERTIA SWITCH LOCK FIG 1	
		MODEL CPI-3	
		DRAWN <i>W.D.C.</i>	MECH. DES. APP.
		CHECKED <i>A.T.J.</i>	FINAL APPROVAL
ISSUE ITEM	CHANGED FROM	DATE	CN. NO. DRAFTS CHECKER
SCALE			
TOLERANCES			
DEC. DIM. \pm	DRILL, PUNCH, COMMERCIAL STOCK SIZES AND MANUFACTURERS TOLERANCES ARE NOT INCLUDED.		
FRAC. DIM. \pm			
OTHERS	ANGULAR DIM. \pm		
ID-138		ID-138	