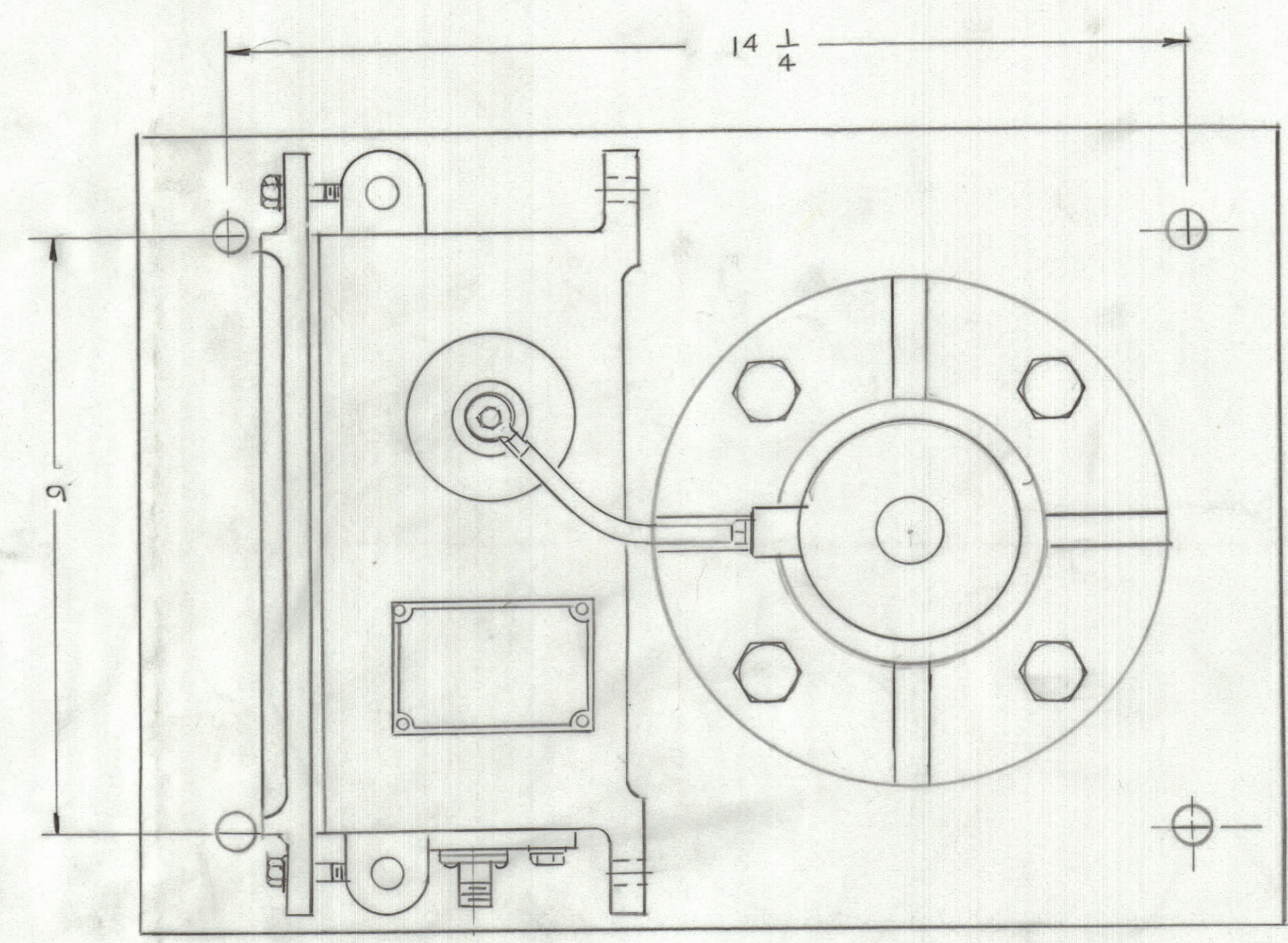
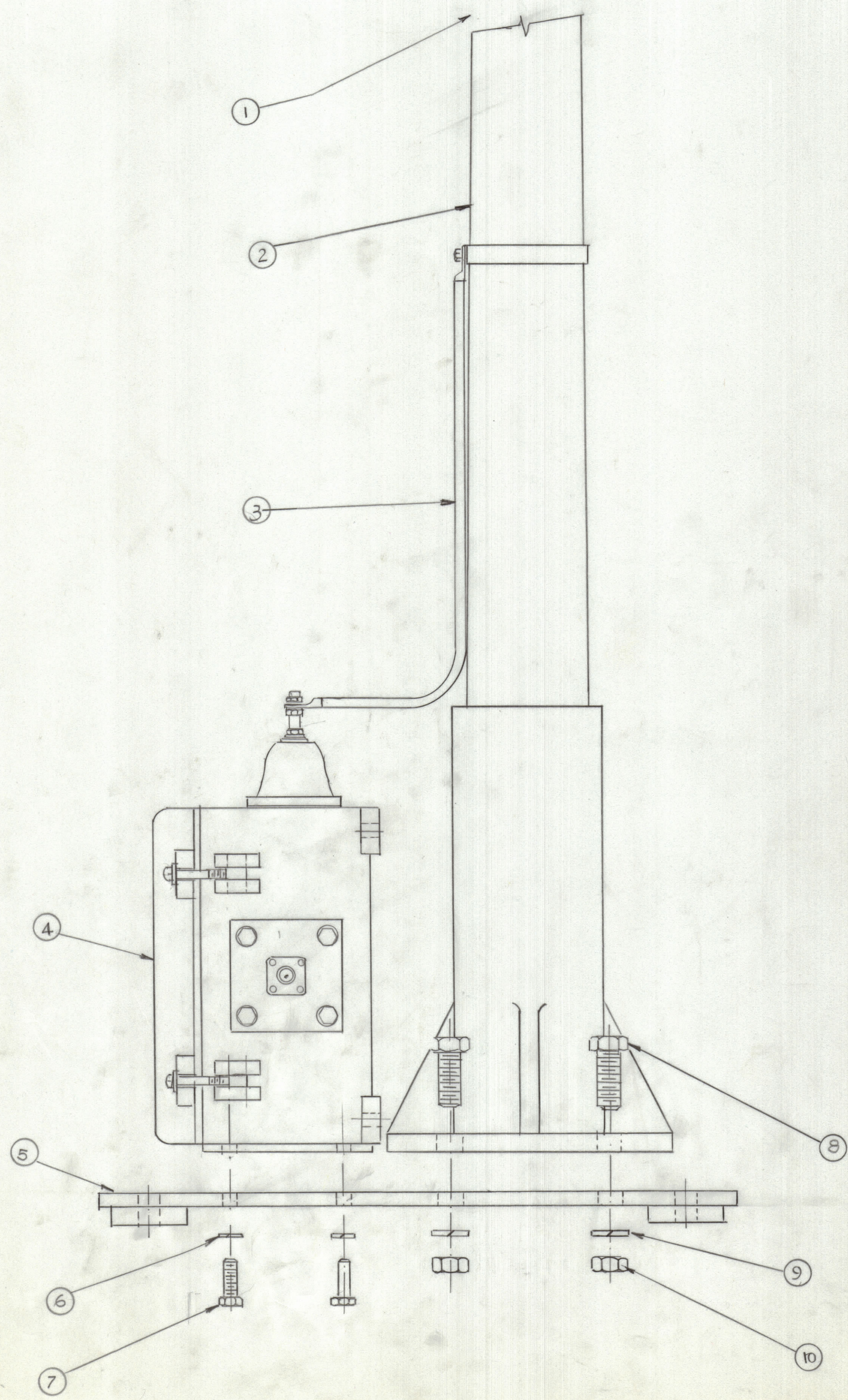


REVISIONS					DATE	APPROVED
E.M.N.O.	DRAFT	CHKD	ZONE	LTR	DESCRIPTION	



4 MOUNTING HOLES 9/16 DIA

QTY. REQ.	ITEM	PART NO.	DESCRIPTION	SYMBOL
1	11	UG 21 B/U	CONNECTOR	
4	10	NTH 632115530	NUT	
4	9	LWS 62 MSS	LOCKWASHER	
4	8	SCH 6215524	BOLT MACHINE	
4	7	SCH 37165516	BOLT MACHINE	
4	6	LWS 37 MSS	LOCKWASHER	
1	5	M610590	BASE MTG	
1	4	A10361	CASE ASSEMBLY VRA11	
1	3	CA10426	LEAD CONNECTING	
1	2	AW 104-3	ANTENNA WHIP BOTTOM SECTION	
1	1	AW 104-1	ANTENNA WHIP TOP SECTION	

LIST OF MATERIAL

FINAL APPROVAL	DATE
<i>[Signature]</i>	1/15/71
MECH. DES.	DATE
ELECT. DES.	DATE
<i>EFM</i>	1/15/71
CHECKED	DATE
DRAWN	DATE
<i>GDL</i>	

THE TECHNICAL MATERIEL CORP.
MAMARONECK, NEW YORK

INSTALLATION DETAIL
OF VERTICAL ANTENNA COUPLED

VRA11#12	026/65	20-8-71
QTY / UNIT	MODEL USED ON	ASSY NO.
	APPLICATION	
	CODE	
<small>NOTICE TO PERSONS RECEIVING THIS DRAWING</small> <small>THE TECHNICAL MATERIEL CORPORATION claims proprietary right in the material disclosed hereon. This drawing is issued in confidence for engineering information only and may not be reproduced or used to manufacture anything shown hereon without permission from THE TECHNICAL MATERIEL CORPORATION to the user. This drawing is loaned for mutual assistance and is subject to recall at any time.</small>		

UNLESS OTHERWISE SPECIFIED
DIMENSIONS ARE IN INCHES
AND INCLUDE CHEMICALLY APPLIED
OR PLATED FINISHES

TOLERANCES ON
DECIMALS FRACTIONS
X ± .05 ± 1/64
XX ± .01 ANGLES
.XXX ± .005 ± 0° -30'

MATERIAL	SIZE	CODE	IDENT NO.	DWG NO.	ISSUE
FINISH	D	82679	1D	10448	1
	SCALE		SHEET	OF	