

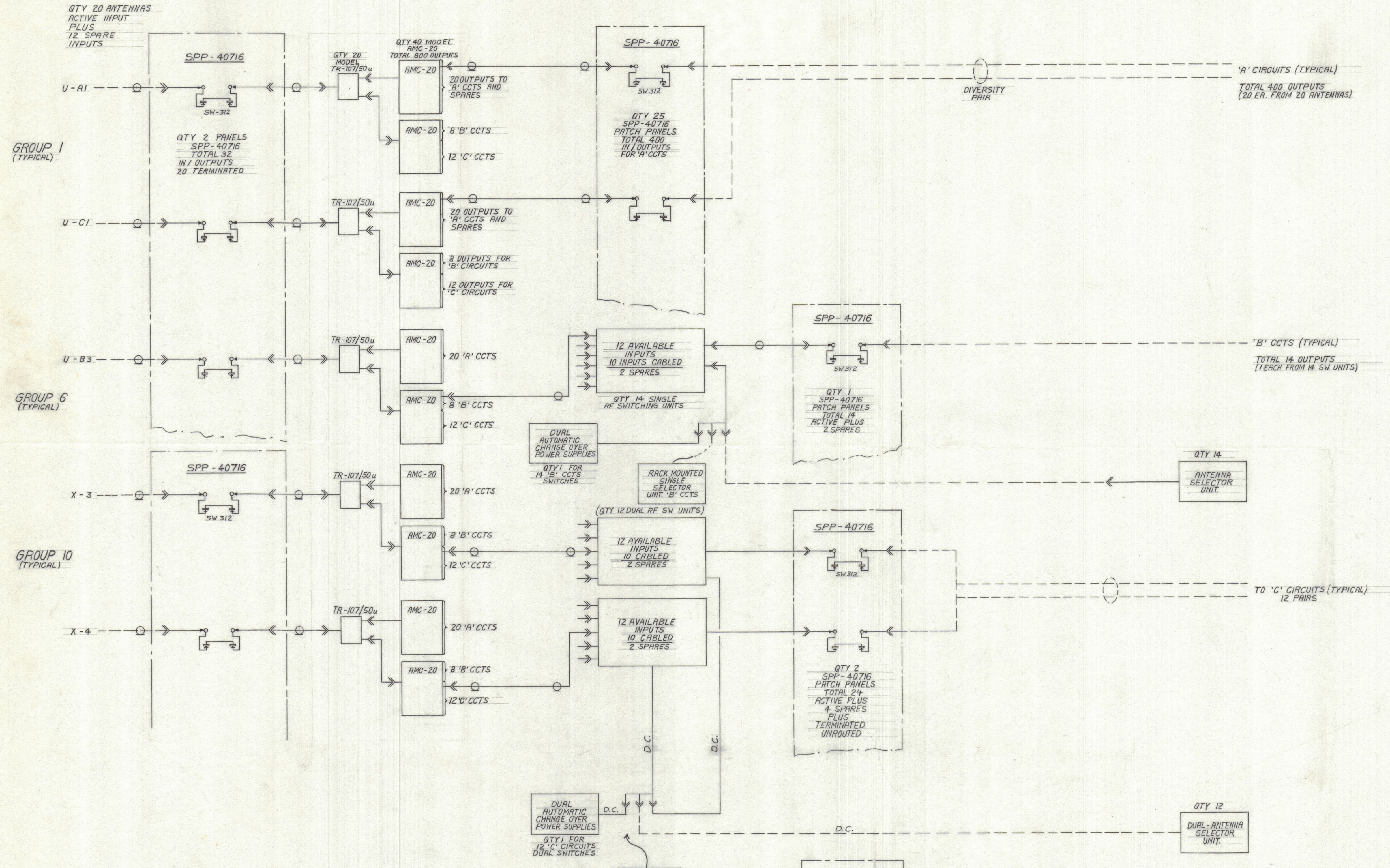
IF IT IS FOUND DESIRABLE TO CHANGE ANY TOLERANCE OR OTHER DETAIL SPECIFIED ON THIS DRAWING NOTIFY THE PURCHASER PROMPTLY.

MAXIMUM ALLOWABLE TOLERANCES HAVE BEEN DETERMINED AND DEVIATIONS WILL BE CAUSE FOR REJECTION. REMOVE ALL BURRS AND SHARP EDGES.

DIMENSIONS IN INCHES UNLESS OTHERWISE SPECIFIED

ISSUE	ITEM	CHANGED FROM	DATE	CN. NO.	DRAFTS	CHECKER	ENG. APP.

REQ.	ITEM	PART NO.	DESCRIPTION	SYMBOL



GROUP 1 (TYPICAL)

GROUP 6 (TYPICAL)

GROUP 10 (TYPICAL)

OUTPUTS FROM MULTICOUPLERS

'A' CCTS	400
'B' CCTS	140
'C' CCTS	240
SPARES	20
TOTAL	800

NOTE: ALL CIRCUITS TERMINATED AT PATCH FIELD WHETHER ACTIVE OR NOT.

TOLERANCES		SCALE:
ALL	DEC. DIM. ±	DRILL, PUNCH, COMMERCIAL STOCK SIZES AND MANUFACTURERS TOLERANCES ARE NOT INCLUDED.
OTHERS	FRAC. DIM. ±	
	ANGULAR DIM. ±	

MODEL	TE 865	PROJECT NO.	ASSY. NO.	DATE	8-3-1965
USED ON					

STOCK SIZE		TMC (Canada) LIMITED OTTAWA ONTARIO	
MATERIAL		SIMPLIFIED SCHEMATIC	
WEIGHT PER PC		DIAGRAM OF SYSTEM	
TYPE & TEMPER	DRAWN	ELEC. DES. APP.	MECH. DES. APP.
HEAT TREAT. SPEC.	CHECKED	FINAL APPROVAL	
FINISH & SPEC. NO.		ID 10443	