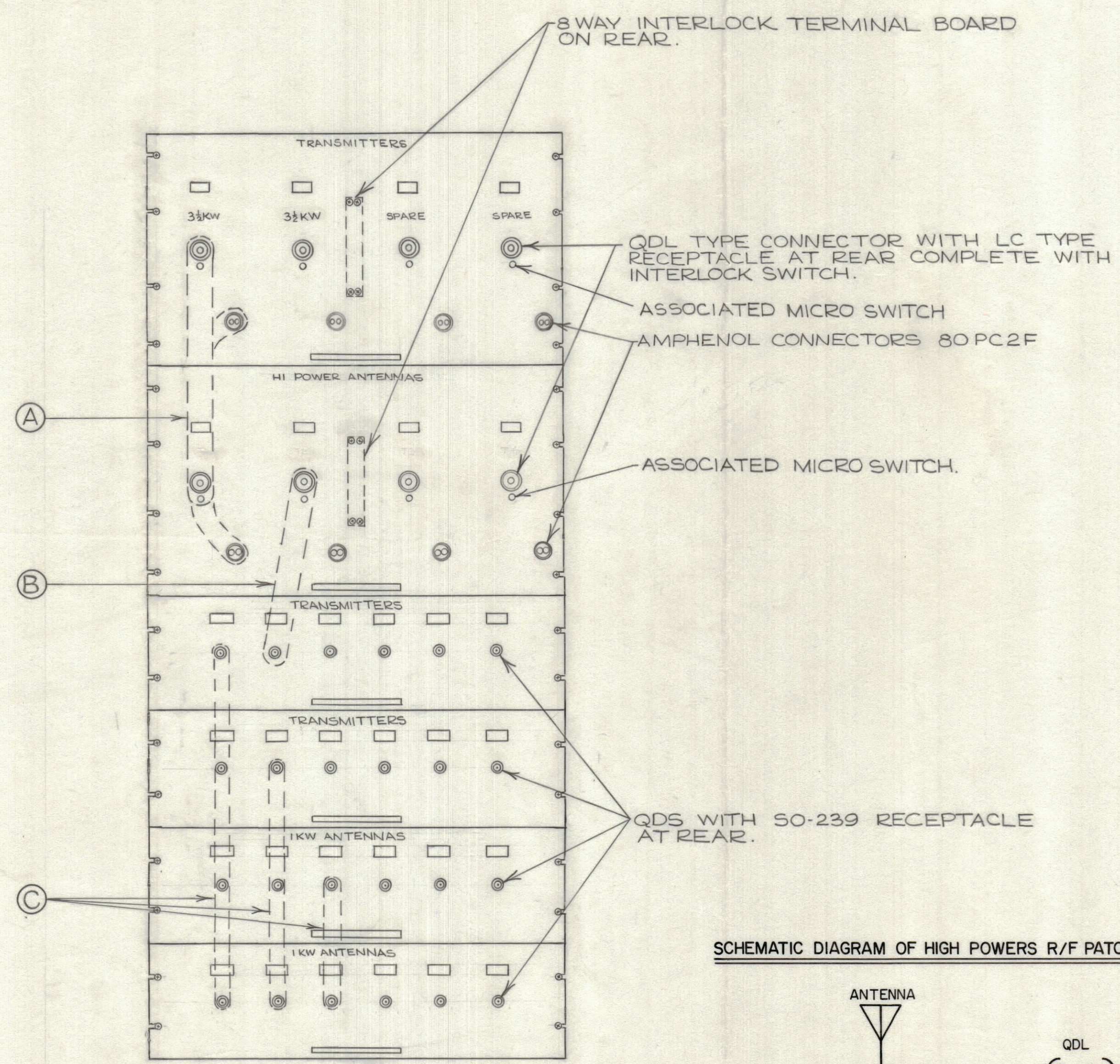


IF IT IS FOUND DESIRABLE TO CHANGE ANY TOLERANCE OR OTHER DETAIL SPECIFIED ON THIS DRAWING NOTIFY THE PURCHASER PROMPTLY.		DIMENSIONS IN INCHES UNLESS OTHERWISE SPECIFIED	
MAXIMUM ALLOWABLE TOLERANCES HAVE BEEN DETERMINED AND DEVIATIONS WILL BE CAUSE FOR REJECTION. REMOVE ALL BURRS AND SHARP EDGES.			
ISSUE	ITEM	CHANGED FROM	DATE
		CN. NO.	DRAFTS
		CHECKER	ENG. APP.

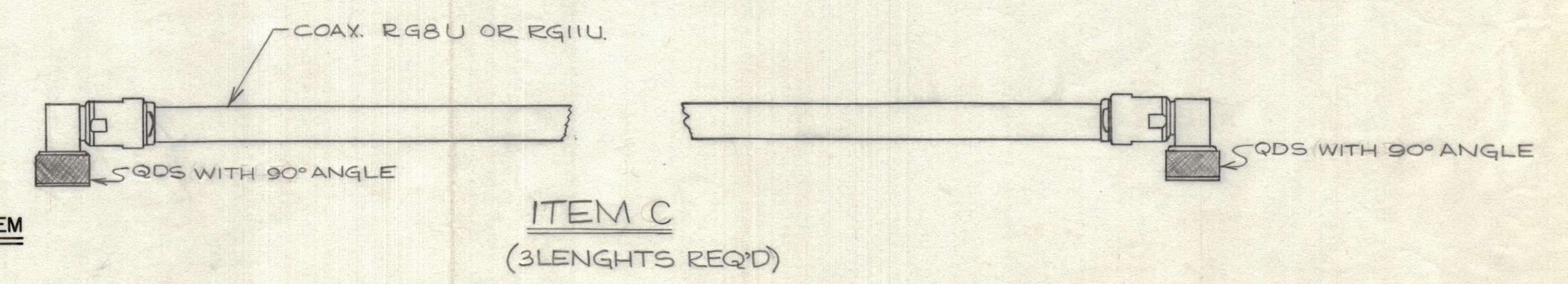
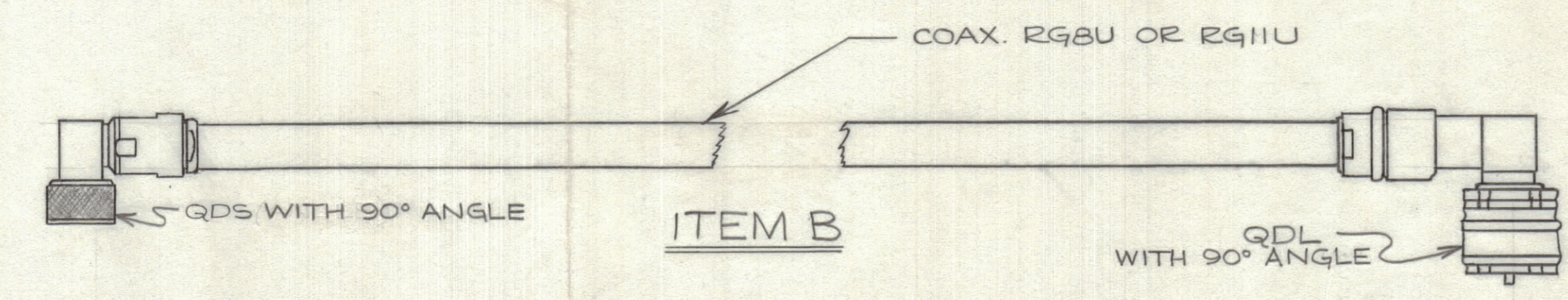
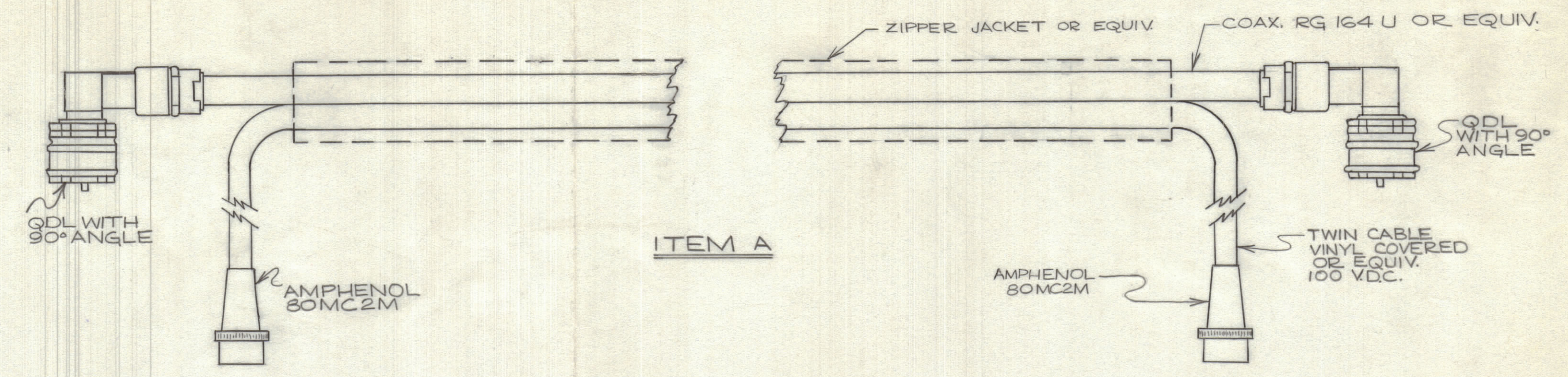
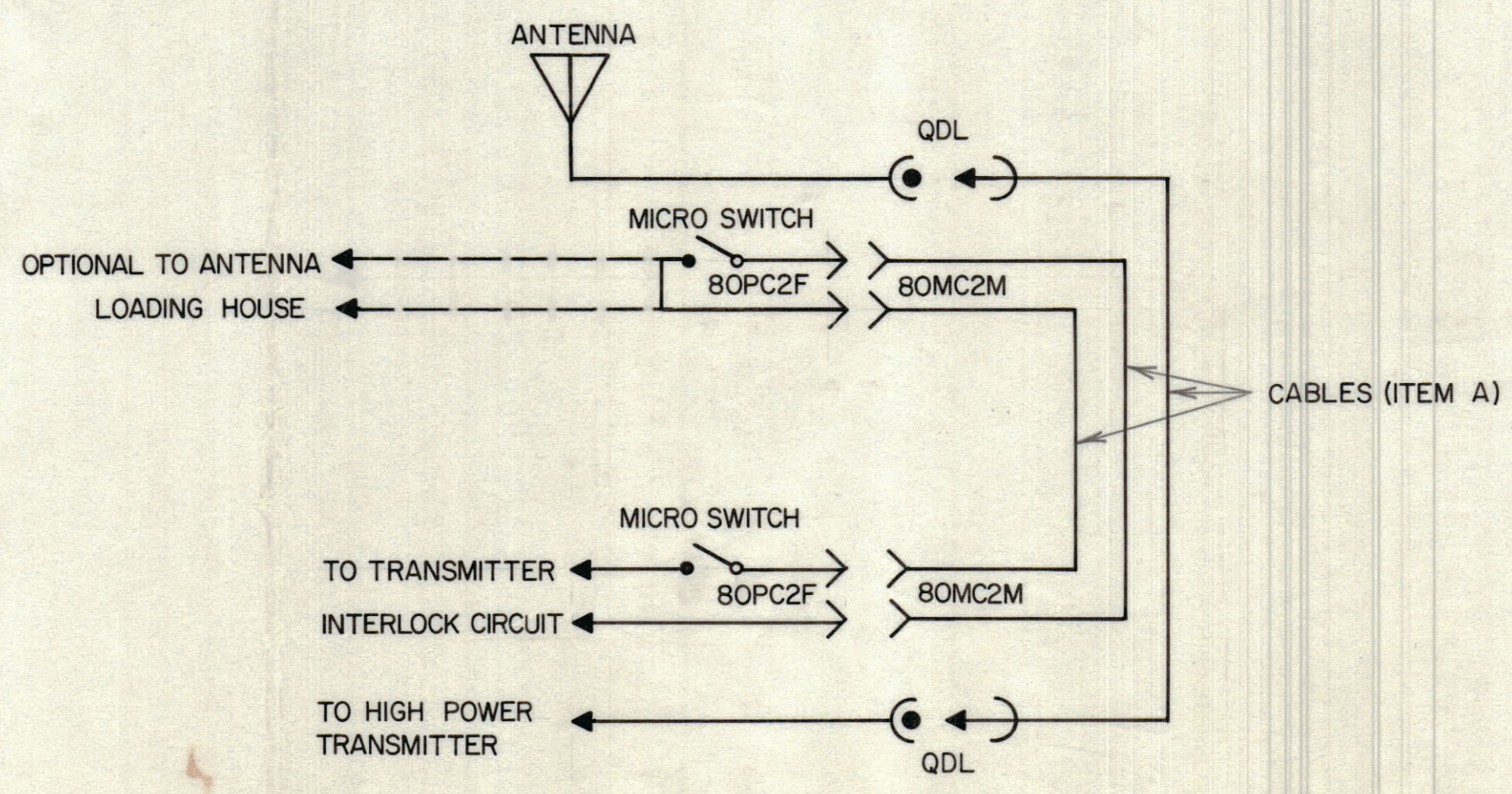
REQ.	ITEM	PART NO.	DESCRIPTION	SYMBOL
------	------	----------	-------------	--------



OPERATING NOTES:

This system permits high power patching with interlock protection using patch cables "A" plus low power patching by patch cables "C". Low power transmitters can be patched into a high power antenna by using patch cables "B". A high power transmitter cannot be patched into a low power antenna.

SCHMATIC DIAGRAM OF HIGH POWERS R/F PATCHING AND INTERLOCK SYSTEM



TOLERANCES		SCALE:
ALL	DEC. DIM. ±	DRILL, PUNCH, COMMERCIAL STOCK
OTHERS	FRAC. DIM. ±	SIZES AND MANUFACTURERS
	ANGULAR DIM. ±	TOLERANCES ARE NOT INCLUDED.

MODEL	PROJECT NO.	ASS'Y. NO.	DATE
			FEB. 21, 62
USED ON			

STOCK SIZE		TMC (Canada) LIMITED	
		OTTAWA	ONTARIO
MATERIAL		TRANSMITTER ANTENNA	
WEIGHT PER PC		PATCH SYSTEM - RRAF	
TYPE & TEMPER		JPC	
DRAWN		ELEC. DES. APP.	MECH. DES. APP.
HEAT TREAT. SPEC.		CHECKED	FINAL APPROVAL
FINISH & SPEC. NO.		1D10259 0	