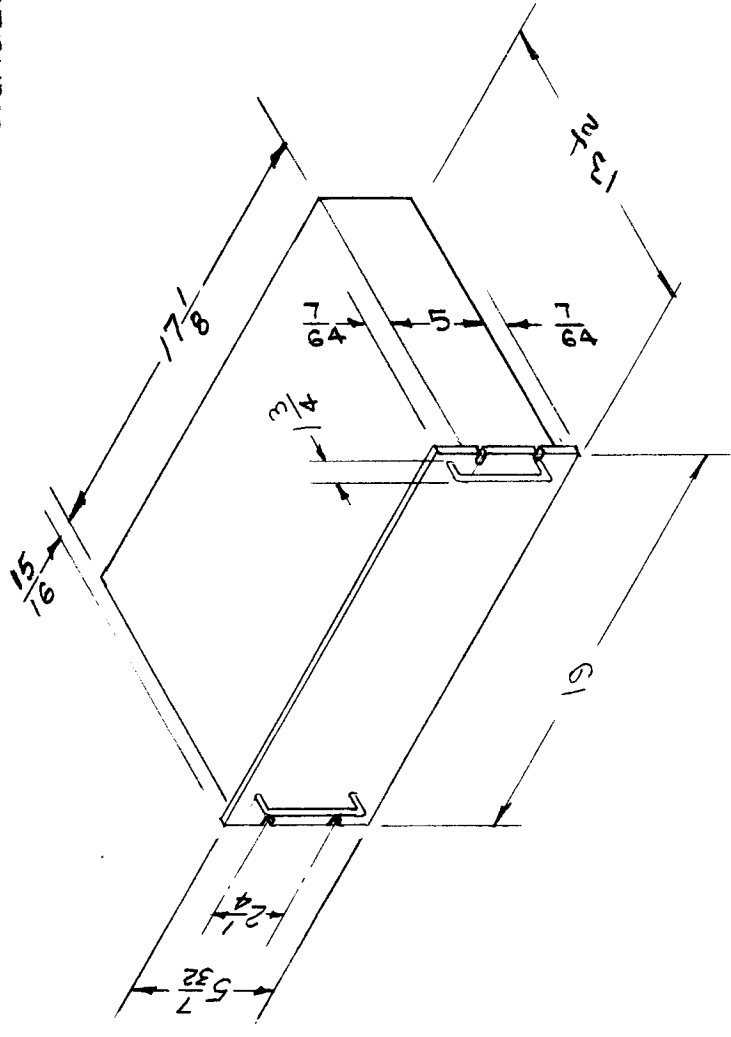


REQ. PER UNIT		USED ON	
1	MSR-1	ASSY. NO.	DATE
1	MSR-3		6-24-58
1	MSR-4		6-24-58

ID-191

A

NOTE - Panel is  $5\frac{7}{32} \times 19 \times \frac{3}{16}$  Standard WE Slotted.



REQ. ITEM	PART NO.	DESCRIPTION	SYMBOL
		THE TECHNICAL MATERIEL CORP. MAMARONECK. NEW YORK	
		DIMENSIONAL OUTLINE DRAWING	
		MODEL MSR	
		3/1/57	A.J.J
		DRAWN	FINAL APPROVAL
		CHECKED	ID-191
		ELEC. DES. APP. MECH. DES. APP.	
		FINISH & SPEC. NO.	
		TYPE & TEMPER HEAT TREAT. SPEC.	
		MATERIAL	
		STOCK SIZE	
		CH. NO. DRAFTS	
		CHECKER	
		ENG. APP.	
		DATE	
		4/8/57	
		1	
		16	
		ADD	
		NOTE & DIMENSIONS ADDED	
		CHANGED FROM	
		TOLERANCES	
		DEC. DIM. ±	
		FRAC. DIM. ±	
		ANGULAR DIM. ±	
		SCALE:	
		MAXIMUM ALLOWABLE TOLERANCES HAVE BEEN DETERMINED AND ANY DEVIATIONS WILL BE CAUSE FOR REJECTION. REMOVE ALL BURRS AND SHARP EDGES	